



1998/1999 ELECTRICAL SCHEMATICS

Schematics

Table of Contents

Ford - 1998/1999

Diamond Edition
Emerald Edition
Stealth Edition

Astro Safari - 1998/1999

Diamond Edition
Elite Edition
Regal Edition

Chevy/GMC - 1998/1999

Diamond Edition
Emerald Edition
Stealth Edition

Dodge Caravan - 1998

Ford Windstar - 1998

Dodge Caravan/ Ford Windstar - 1999

Dodge - 1998/1999

Diamond Edition
Emerald Edition
Stealth Edition
SWB Edition

Chevy GMC Pickup with Amp - 1998/1999

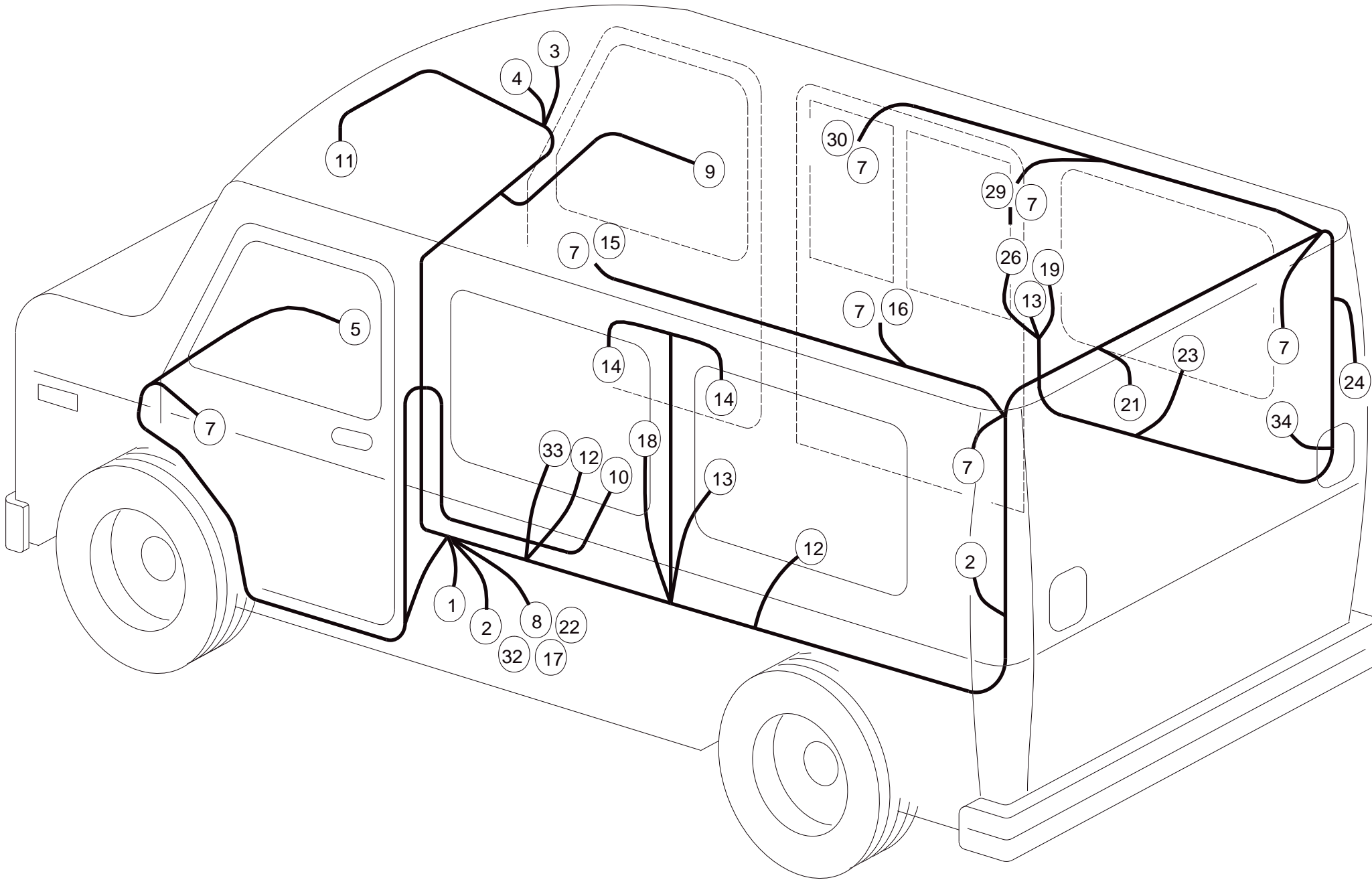
Chevy/GMC/Ford/Dodge Pickups - 1998/1999

Chevy/GMC Suburban - 1998/1999

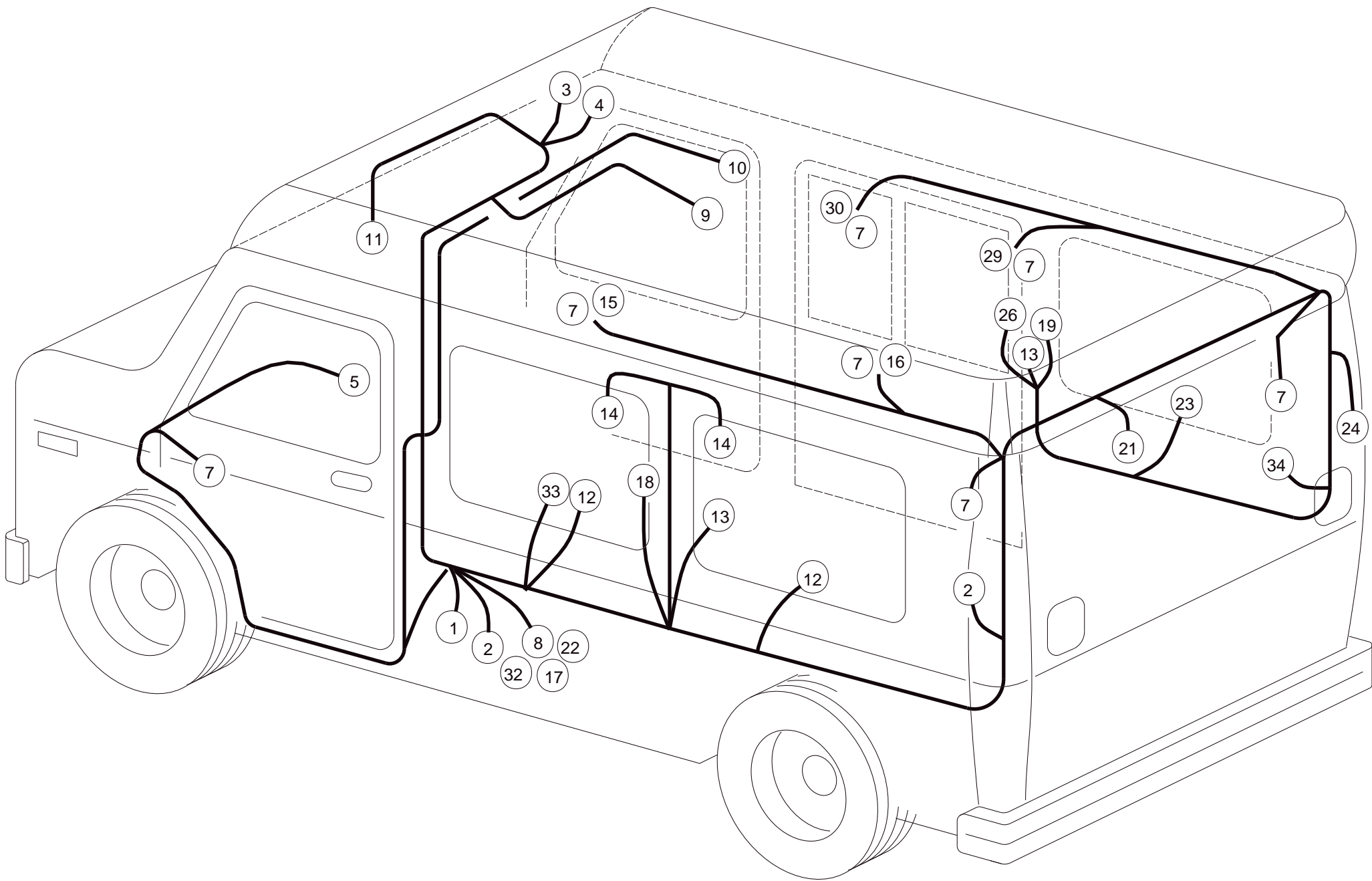
Chevy/GMC Suburban - 1999

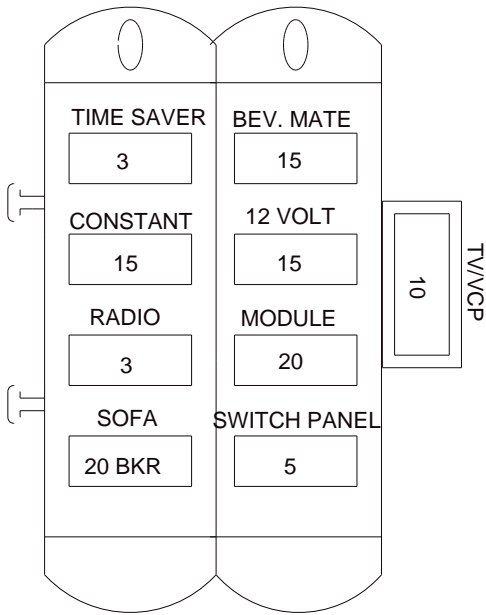
**1998/1999 FORD
DIAMOND EDITION**

FORD
DIAMOND EDITION
LOW TOP



FORD DIAMOND EDITION HIGH TOP





PLUG#: F2UB-14A411-GA

INT. LAMP FEED
(BLACK/LT BLUE)

BATTERY FEED
(LT GRN/YELLOW)

GROUND
(BLACK)

"B" Pillar

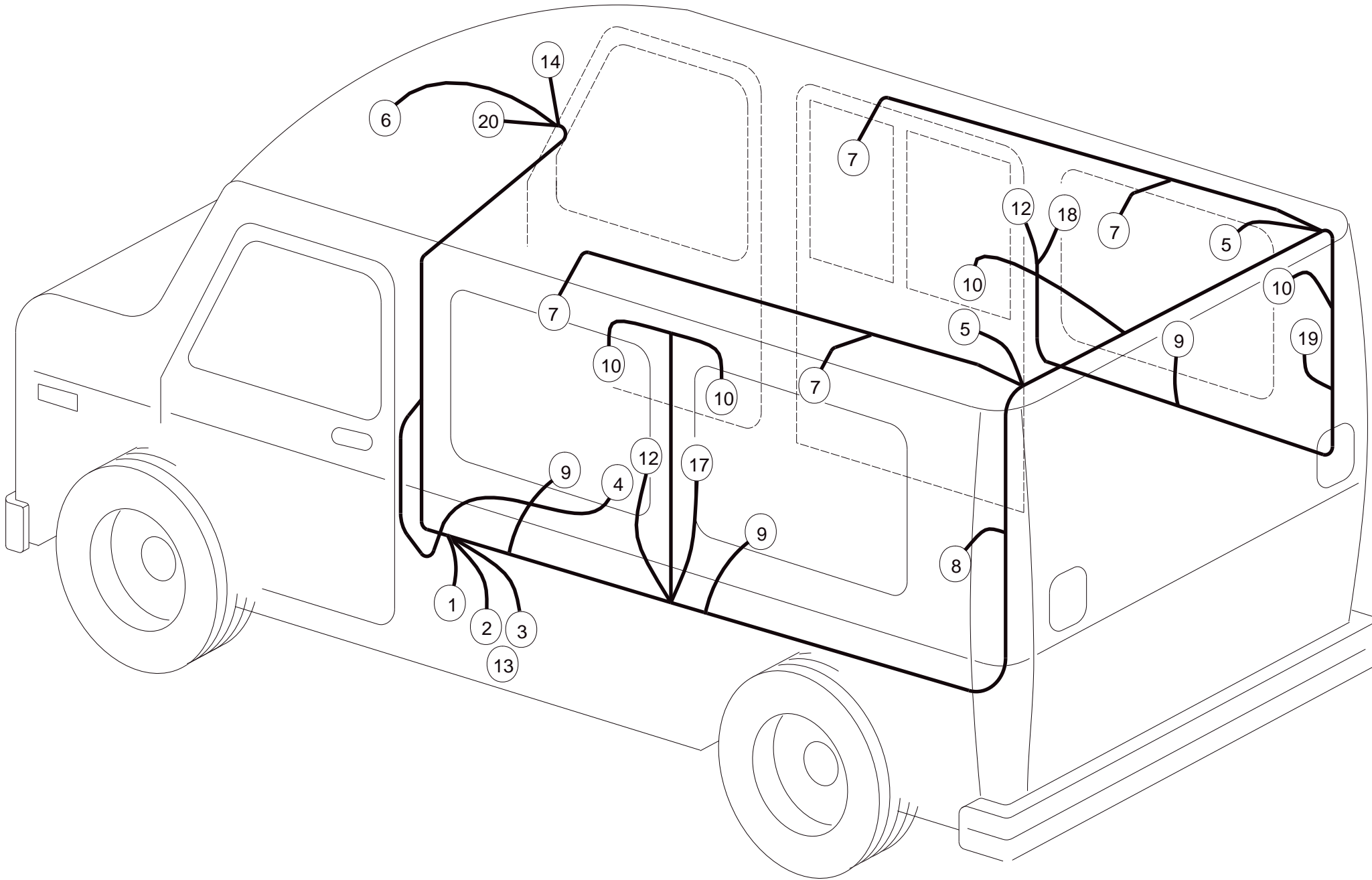
PLUG#: F2UB-14A411-CB

CONSTANT
(YELLOW)

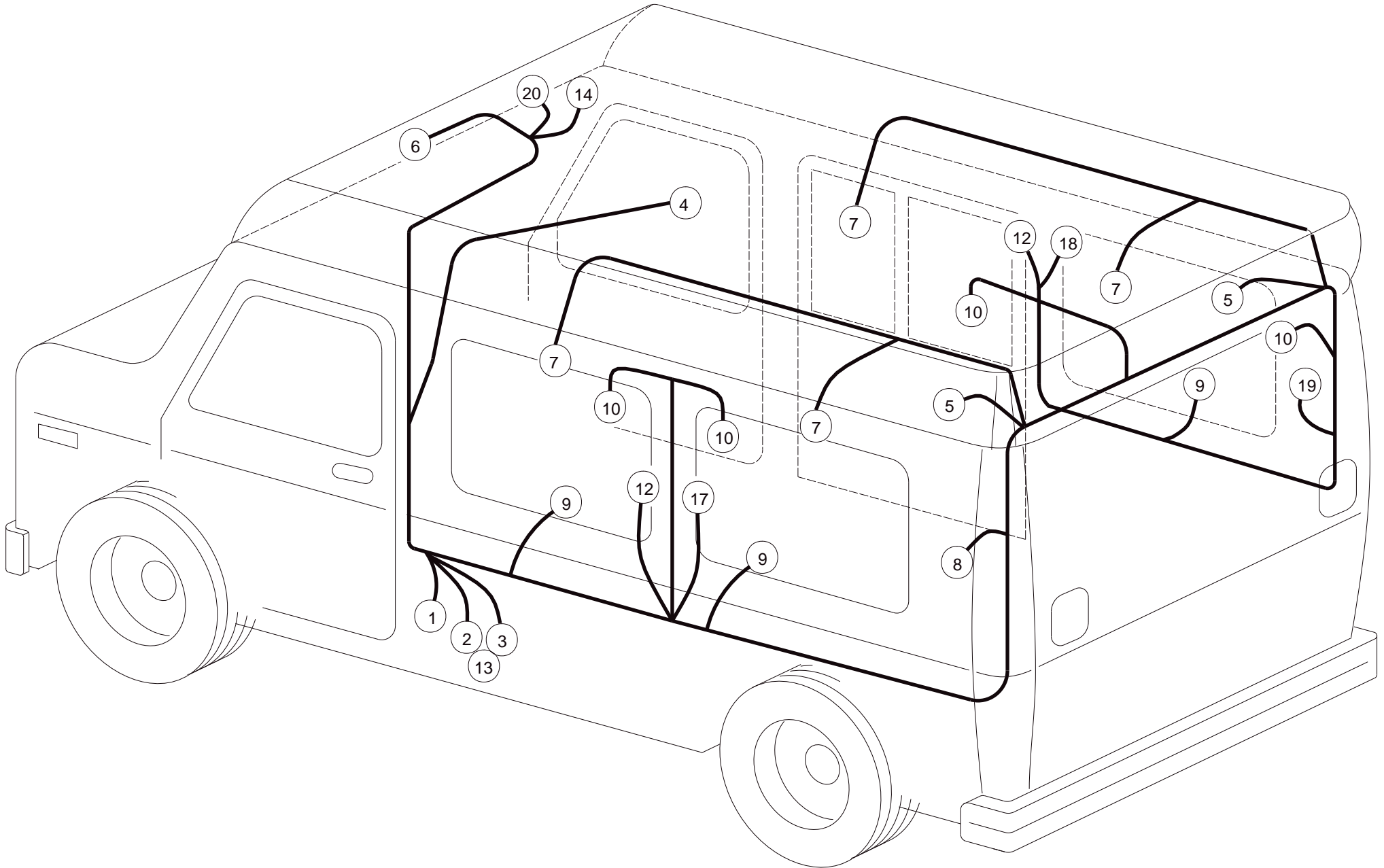
IGNITION
(ORANGE)

**1998/1999 FORD
EMERALD EDITION**

FORD
EMERALD EDITION
LOW TOP

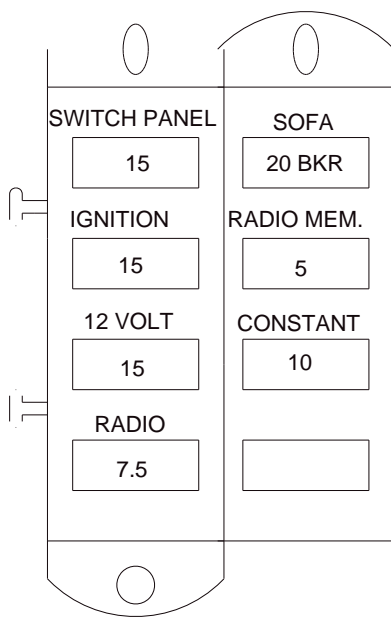


FORD EMERALD EDITION HIGH TOP



CHASSIS MANUFACTURER: FORD		MODEL YEAR: 1999		HARNESS PART #: 3007-99		MODEL USAGE: EMERALD	
CK#	CIRCUIT ITEMS	ITEM	QTY	WIRE SIZE/COLOR	POWER SOURCE	AMP DRAW	FUSE SIZE & LOCATION
1	FUSEBLOCK		1		OEM		
		1		18 YELLOW		.5	7.5 AMP/"B" PILLAR
		2		14 RED/WHITE		9.0	15 AMP/ "B" PILLAR
		3		14 RED		12.4	15 AMP/ "B" PILLAR
		4		18 WHITE		.5	5 AMP/"B"PILLAR
		5		12 YELLOW			
		6		14 BLACK	GROUND	—	/ "B" PILLAR
2	STEREO		1		FUSEBLOCK		
		1	4	18 YELLOW		.5	
		2		18 BLACK			
		3	2	18 WHITE		.5	
3	COURTESY TAP		1		OEM		
		1		18 BLUE/BLACK			
4	TV		1		SWITCH PANEL	3.4	
		1		16 PURPLE			
		2		16 BLACK			
		3		18 GRAY			
		4		18 GRAY/BLACK			
5	COURTESY		2		COURTESY TAP	4.4	
		1		18 BLUE/BLACK			
		2		18 BLACK			
6	SWITCH PANEL		1		FUSEBLOCK	12.4	
		1		14 RED			
		2		18 BLACK			
		3		16 BROWN			
		4		16 GREEN			
		5		16 PURPLE			
		6		16 BLUE			
7	READ LIGHTS		4		SWITCH PANEL/CTSY TAP	3.0	
		1		18 GREEN			
		2		18 BLUE/BLACK			
		3		18 BLACK			

CHASSIS MANUFACTURER: FORD		MODEL YEAR: 1999		HARNESS PART #: 3007-99		MODEL USAGE: EMERALD	
CK#	CIRCUIT ITEMS	ITEM	QTY	WIRE SIZE/COLOR	POWER SOURCE	AMP DRAW	FUSE SIZE & LOCATION
8	12 VOLT		1		FUSEBLOCK	9.0	
		1		14 RED/WHITE			
		2		14 BLACK			
9	MOOD		3		SWITCH PANEL	2.2	
		1		18 BLUE			
		2		18 BLACK			
10	INDIRECT		4		SWITCH PANEL	3.8	
		1		18 BROWN			
		2		18 BLACK			
12	OPERA		2		OPERA TAP	0.5	
		1		18 ORANGE/BLACK			
13	OPERA TAP		1		OEM		
		1		18 ORANGE/BLACK			
14	RADAR		1		FUSEBLOCK	0.003	
		1		18 YELLOW			
		2		18 BLACK			
17	DRIVER TV SPEAKER		1				
		1		18 GRAY			
		2		18 GRAY/BLACK			
		3		18 WHITE/BLACK			
		4		18 BLACK/WHITE			
18	PASS. TV SPEAKER		1				
		1		18 WHITE/BLACK			
		2		18 BLACK/WHITE			
19	SOFA		1		FUSEBLOCK	8.6-20+	
		1		12 YELLOW			
20	FRONT O'HD LIGHT		1		FUSEBLOCK/COURTESY TAP	0.5	
		1		18 YELLOW			
		2		18 BLUE/BLACK			
		3		18 BLACK			

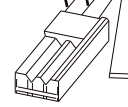


PLUG#: F2UB-14A411-GA

INT. LAMP FEED
(BLACK/LT BLUE)

BATTERY FEED
(LT GRN/YELLOW)

GROUND
(BLACK)

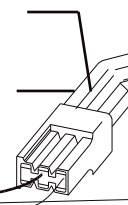


"B" Pillar

PLUG#: F2UB-14A411-CB

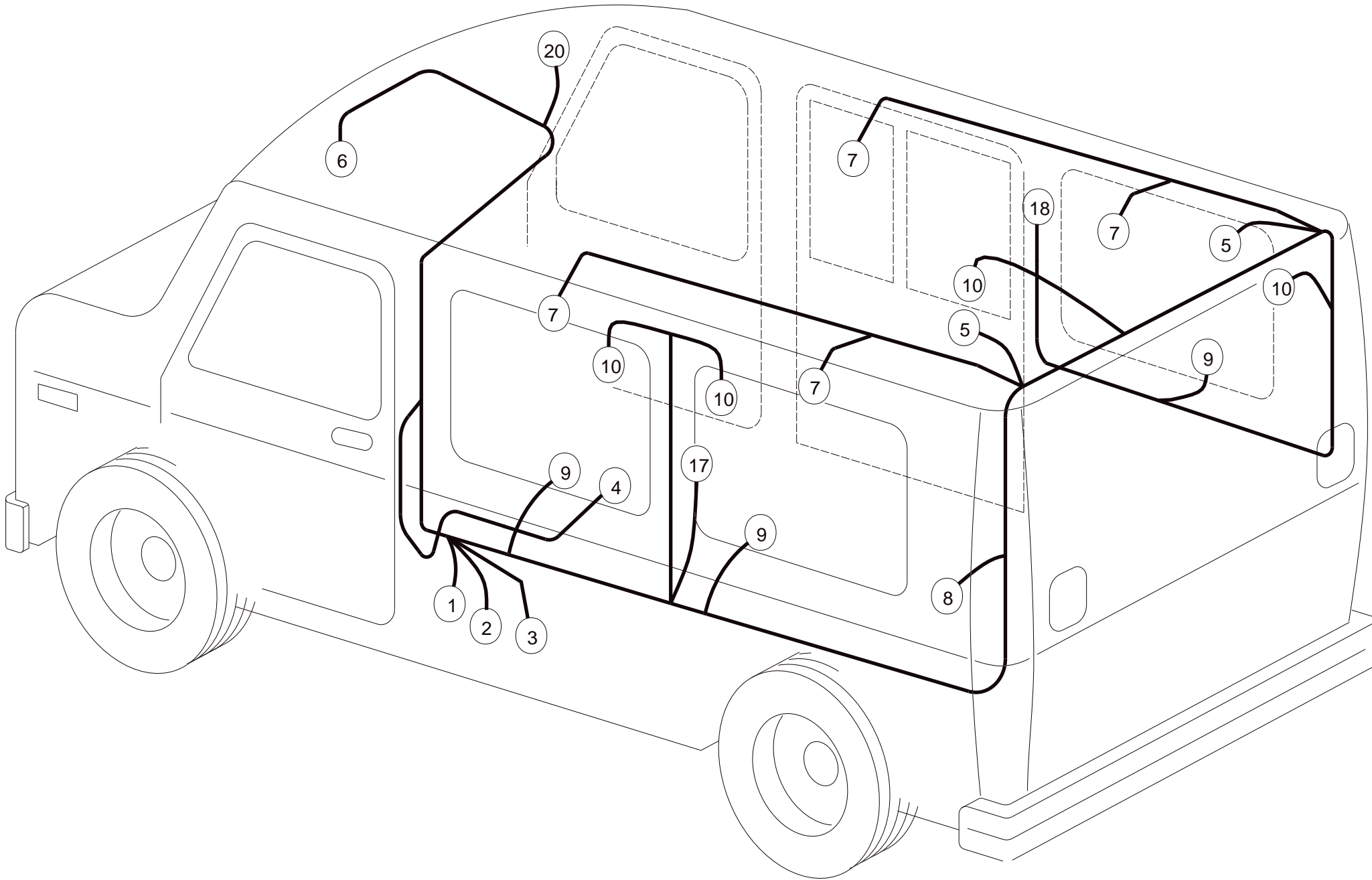
CONSTANT
(YELLOW)

IGNITION
(ORANGE)

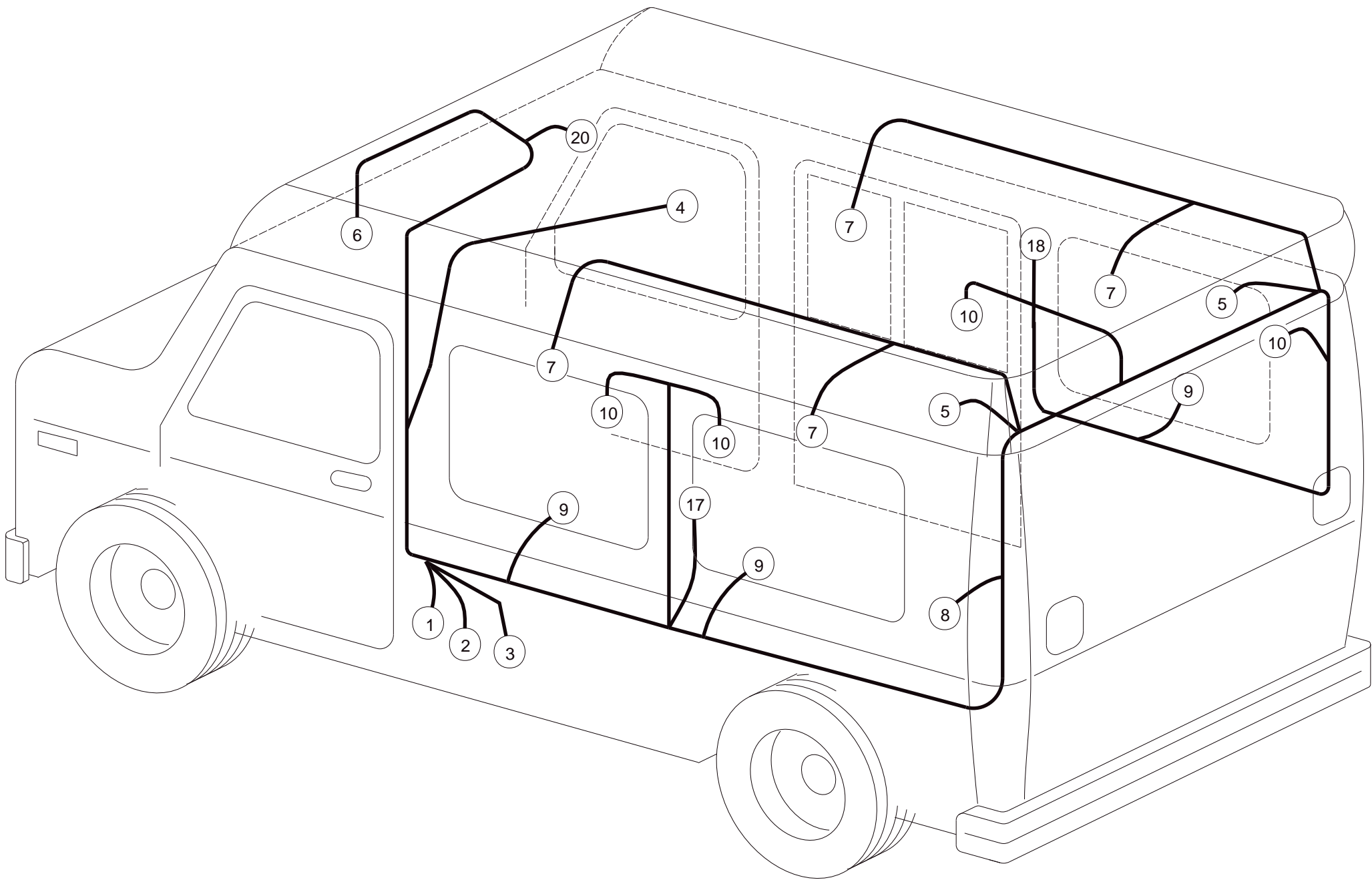


**1998/1999 FORD
STEALTH EDITION**

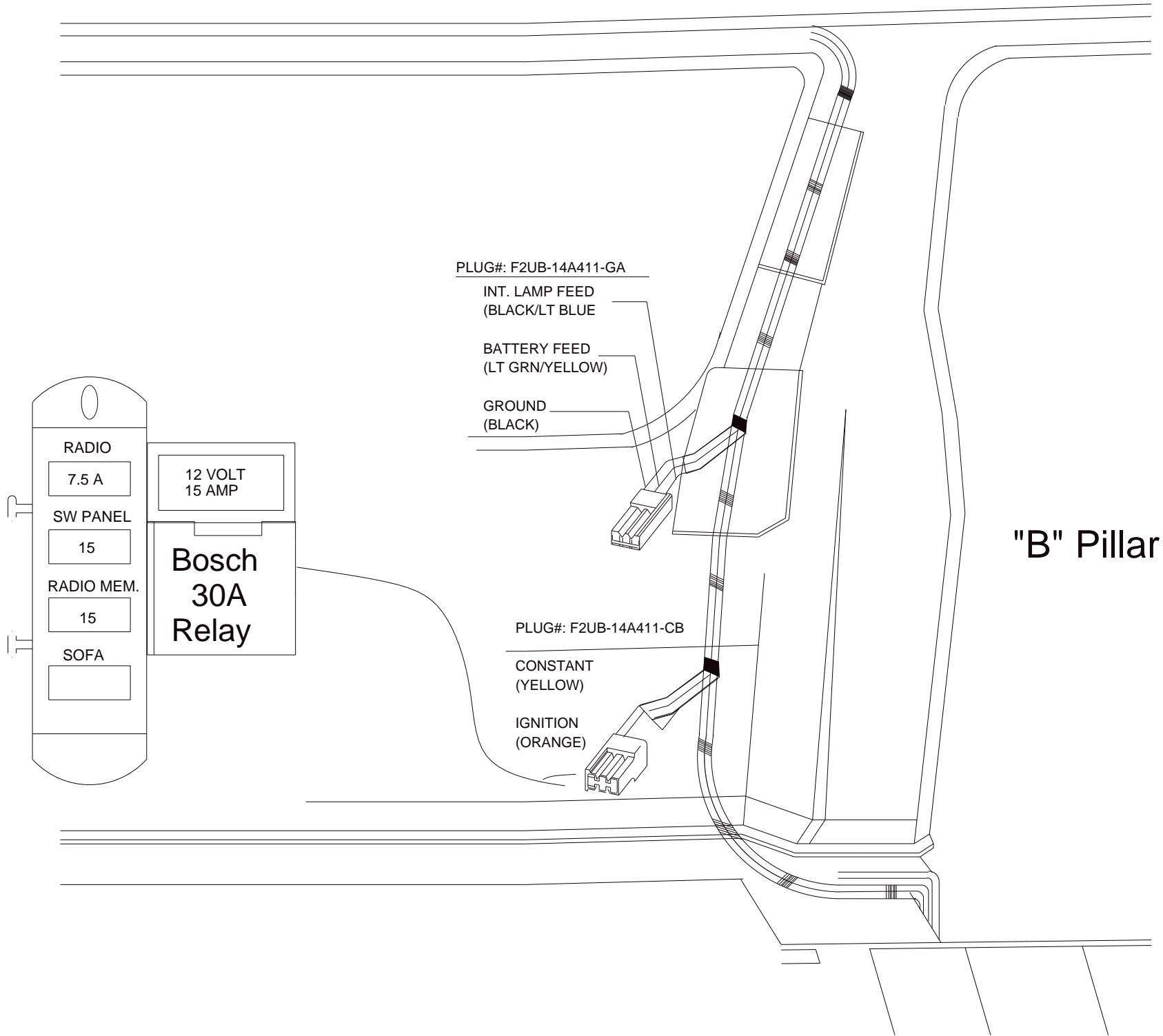
FORD
STEALTH EDITION
LOW TOP



FORD STEALTH EDITION HIGH TOP



CHASSIS MANUFACTURER: FORD		MODEL YEAR: 1999		HARNESS PART #: 3011-99		MODEL USAGE: STEALTH	
CK#	CIRCUIT ITEMS	ITEM	QTY	WIRE SIZE/COLOR	POWER SOURCE	AMP DRAW	FUSE SIZE & LOCATION
1	FUSEBLOCK		1		OEM		
		1		18 YELLOW		1.0	
		2		14 RED/WHITE		9.0	
		3		14 RED		12.4	
		4		18 WHITE		.5	
		5		14 BLACK	GROUND		
2	STEREO		1		FUSEBLOCK		
		1	3	18 YELLOW		.5	
		2		18 BLACK			
		3		18 WHITE		.5	
3	COURTESY TAP		1		OEM		
		1		18 BLUE/BLACK			
4	TV		1		SWITCH PANEL	3.4	
		1		16 PURPLE			
		2		16 BLACK			
		3		18 GRAY			
		4		18 GRAY/BLACK			
5	COURTESY		2		COURTESY TAP	4.4	
		1		18 BLUE/BLACK			
		2		18 BLACK			
6	SWITCH PANEL		1		FUSEBLOCK	12.4	
		1		14 RED			
		2		18 BLACK			
		3		16 BROWN			
		4		16 GREEN			
		5		16 PURPLE			
		6		16 BLUE			
7	READ LIGHTS		4		SWITCH PANEL/CTSY TAP	3.0	
		1		18 GREEN			
		2		18 BLUE/BLACK			
		3		18 BLACK			



PLUG#: F2UB-14A411-GA

INT. LAMP FEED
(BLACK/LT BLUE)

BATTERY FEED
(LT GRN/YELLOW)

GROUND
(BLACK)

"B" Pillar

PLUG#: F2UB-14A411-CB

CONSTANT
(YELLOW)

IGNITION
(ORANGE)

RADIO

7.5 A

SW PANEL

15

RADIO MEM.

15

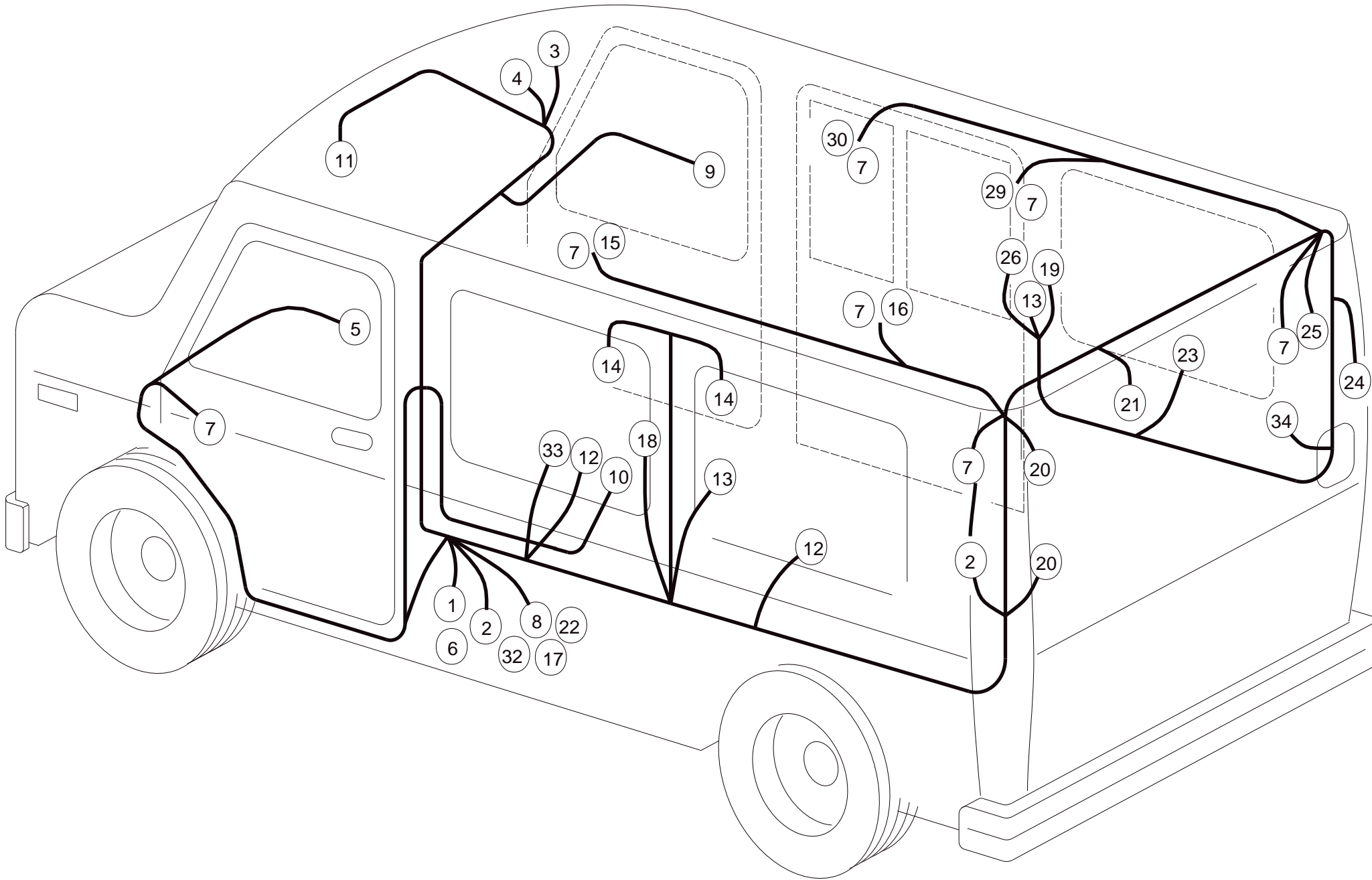
SOFA

12 VOLT
15 AMP

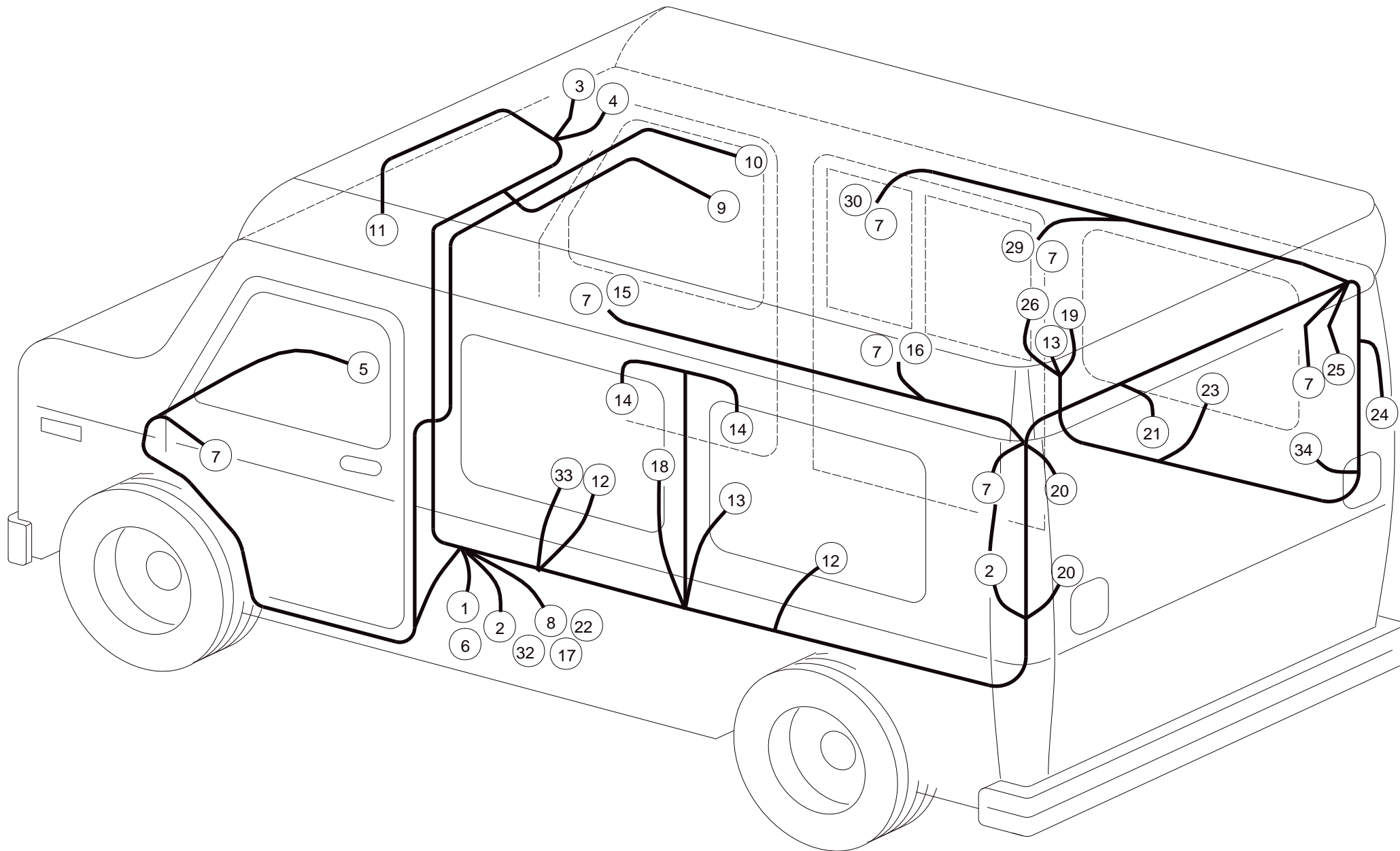
**Bosch
30A
Relay**

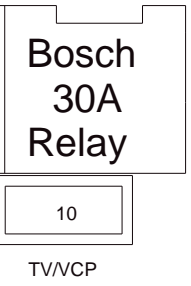
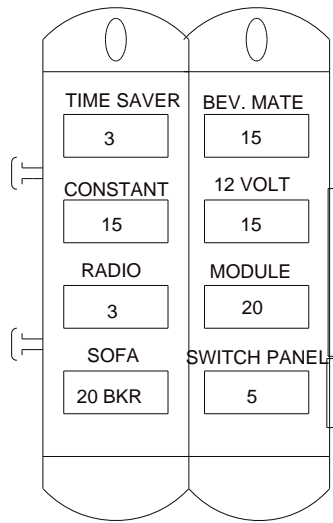
**1998/1999 GM
DIAMOND EDITION**

GM
DIAMOND EDITION
LOW TOP



GM DIAMOND EDITION HIGH TOP





TO HARNESS

REAR SPEAKER
CONNECTOR

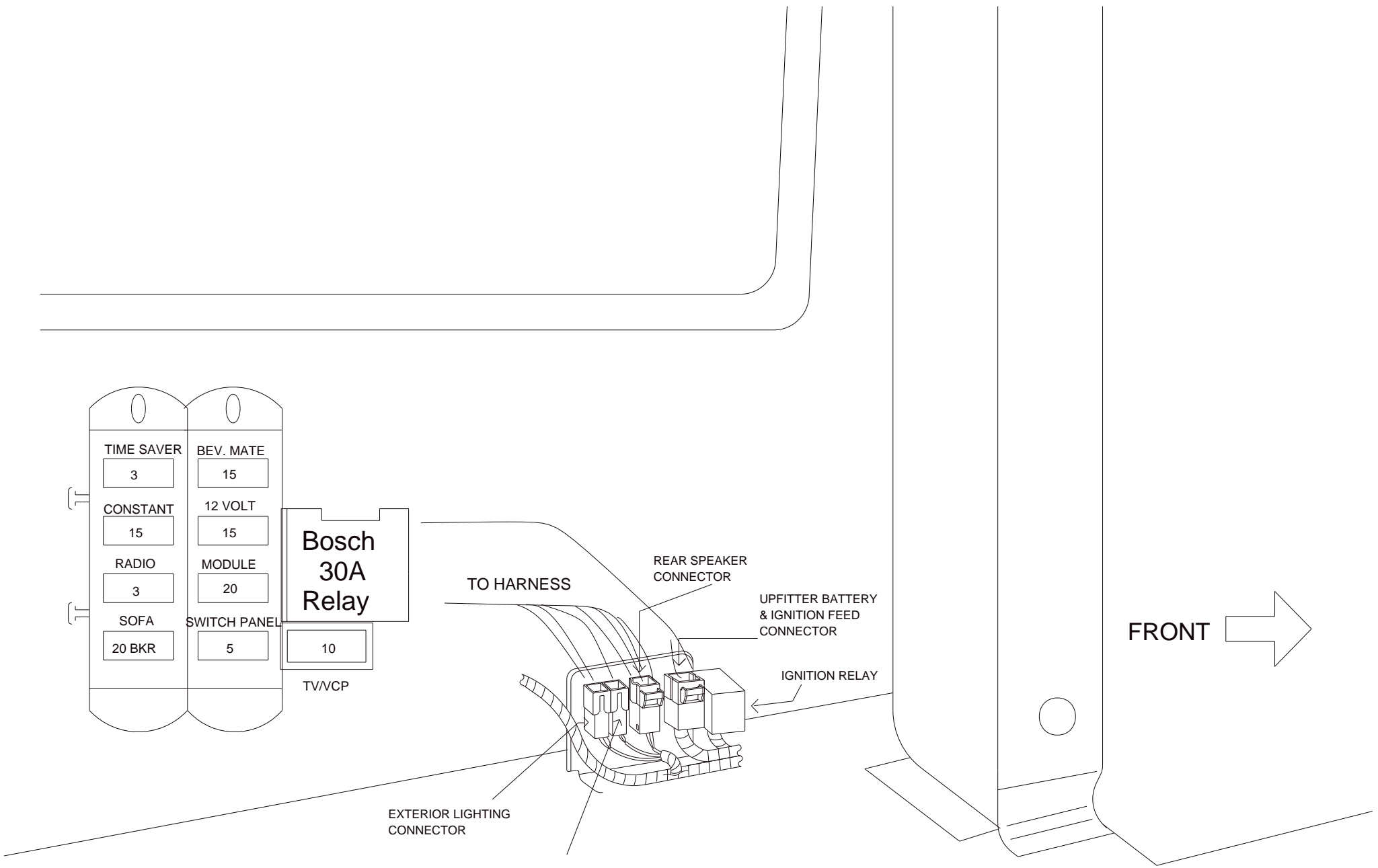
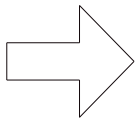
UPFITTER BATTERY
& IGNITION FEED
CONNECTOR

IGNITION RELAY

EXTERIOR LIGHTING
CONNECTOR

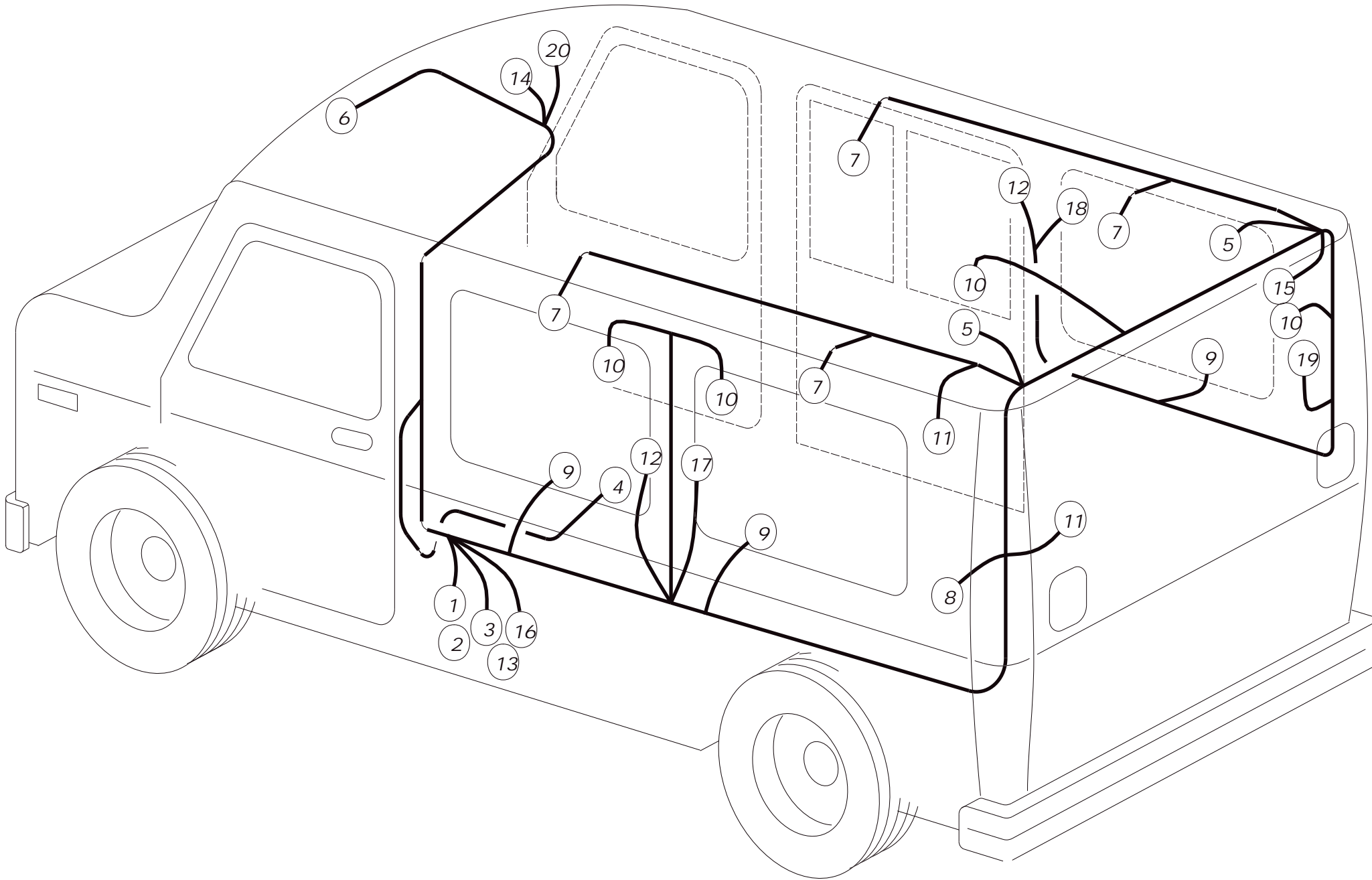
INTERIOR LIGHTING
CONNECTOR

FRONT

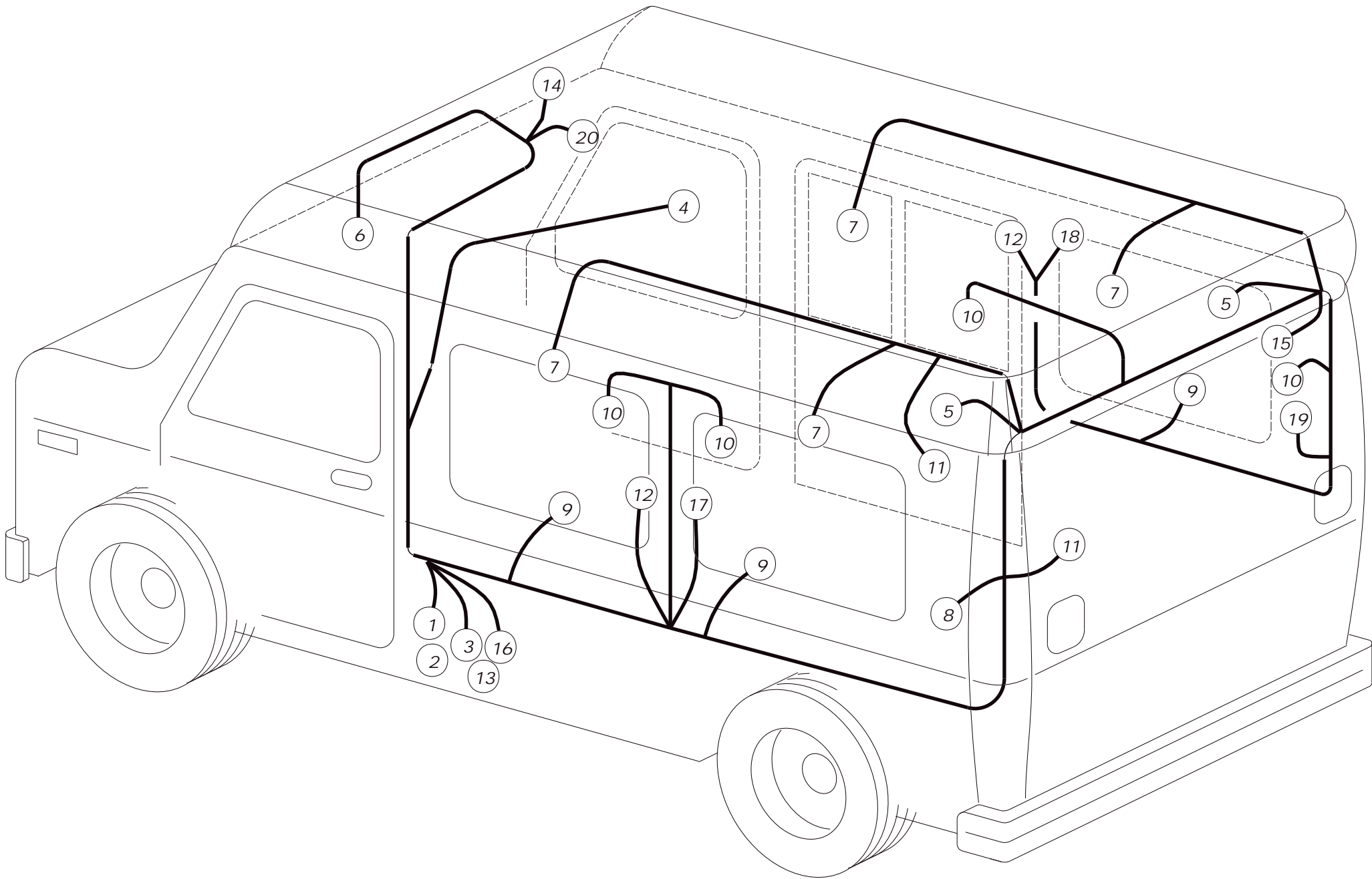


**1998/1999 GM
EMERALD EDITION**

GM
EMERALD EDITION
LOW TOP



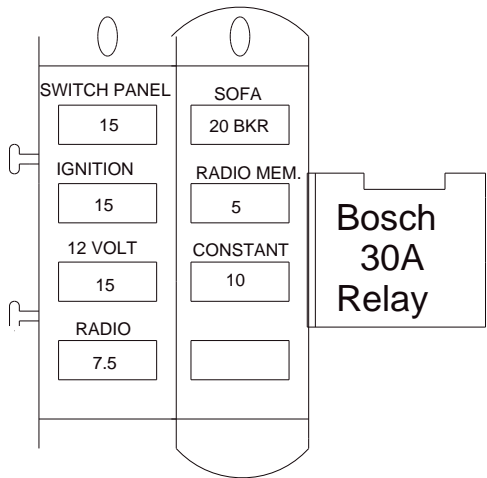
GM
EMERALD EDITION
HIGH TOP



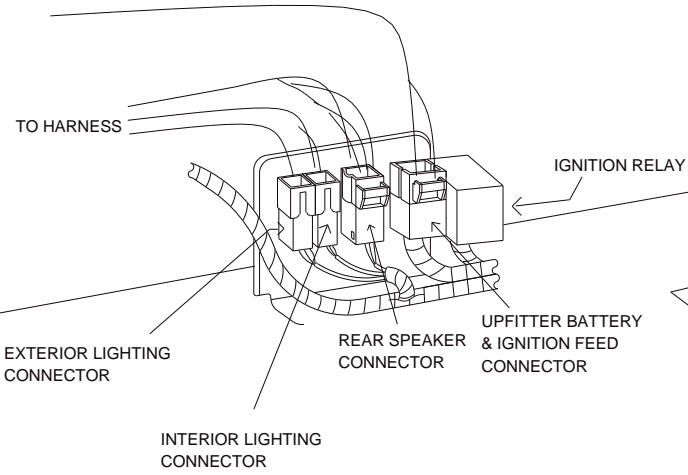
CHASSIS MANUFACTURER: GM		MODEL YEAR: 1999		HARNESS PART #: 3008-99		MODEL USAGE: EMERALD	
CK#	CIRCUIT ITEMS	ITEM	QTY	WIRE SIZE/COLOR	POWER SOURCE	AMP DRAW	FUSE SIZE & LOCATION
1	FUSEBLOCK		1		OEM		
		1		18 YELLOW		.5	7.5 AMP/"B" PILLAR
		2		14 RED/WHITE		9.0	15 AMP/"B" PILLAR
		3		14 RED		12.4	15 AMP/"B" PILLAR
		4		18 WHITE		.5	5 AMP/"B" PILLAR
		5		12 YELLOW			
		6		18 ORANGE			
		7		18 WHITE/ORANGE			
		8		18 BLUE/BLACK			
		9		14 BLACK	GROUND	—	/"B" PILLAR
2	STEREO		1		FUSEBLOCK		
		1	4	18 YELLOW		.5	
		2		18 BLACK			
		3	2	18 WHITE		.5	
3	COURTESY TAP		1		OEM		
		1		18 ORANGE			
		2		18 WHITE/ORANGE			
4	TV		1		SWITCH PANEL	3.4	
		1		16 PURPLE			
		2		16 BLACK			
		3		18 GRAY			
		4		18 GRAY/BLACK			
5	COURTESY		2		COURTESY TAP	4.4	
		1		18 BLUE/BLACK			
		2		18 BLACK			
6	SWITCH PANEL		1		FUSEBLOCK	12.4	
		1		14 RED			
		2		18 BLACK			
		3		16 BROWN			
		4		16 GREEN			
		5		16 PURPLE			
		6		16 BLUE			

CHASSIS MANUFACTURER: GM		MODEL YEAR: 1999		HARNESS PART #: 3008-99		MODEL USAGE: EMERALD	
CK#	CIRCUIT ITEMS	ITEM	QTY	WIRE SIZE/COLOR	POWER SOURCE	AMP DRAW	FUSE SIZE & LOCATION
7	READ LIGHTS		4		SWITCH PANEL/CTSY TAP	3.0	
		1		18 GREEN			
		2		18 BLUE/BLACK			
		3		18 BLACK			
8	12 VOLT		1		FUSEBLOCK	9.0	
		1		14 RED/WHITE			
		2		14 BLACK			
9	MOOD		3		SWITCH PANEL	2.2	
		1		18 BLUE			
		2		18 BLACK			
10	INDIRECT		4		SWITCH PANEL	3.8	
		1		18 BROWN			
		2		18 BLACK			
11	DRIVER SPEAKER		2				
		1		18 BROWN			
		2		18 YELLOW			
12	OPERA		2		OPERA TAP	0.5	
		1		18 ORANGE/BLACK			
13	OPERA TAP		1		OEM		
		1		18 ORANGE/BLACK			
14	RADAR		1		FUSEBLOCK	0.003	
		1		18 YELLOW			
		2		18 BLACK			
15	PASS. SPEAKER		1				
		1		18 LIGHT BLUE			
		2		18 DARK BLUE			
16	SPEAKER TAP		1				
		1		18 YELLOW			
		2		18 BROWN			
		3		18 DARK BLUE			
		4		18 LIGHT BLUE			

CHASSIS MANUFACTURER: GM		MODEL YEAR: 1999		HARNESS PART #: 3008-99		MODEL USAGE: EMERALD	
CK#	CIRCUIT ITEMS	ITEM	QTY	WIRE SIZE/COLOR	POWER SOURCE	AMP DRAW	FUSE SIZE & LOCATION
17	DRIVER TV SPEAKER		1				
		1		18 GRAY			
		2		18 GRAY/BLACK			
		3		18 WHITE/BLACK			
		4		18 BLACK/WHITE			
18	PASS. TV SPEAKER		1				
		1		18 WHITE/BLACK			
		2		18 BLACK/WHITE			
19	SOFA		1		FUSEBLOCK	8.6-20+	
		1		12 YELLOW			
20	FRONT O'HD LIGHT		1		FUSEBLOCK/COURTESY TAP	0.5	
		1		18 YELLOW			
		2		18 BLUE/BLACK			
		3		18 BLACK			



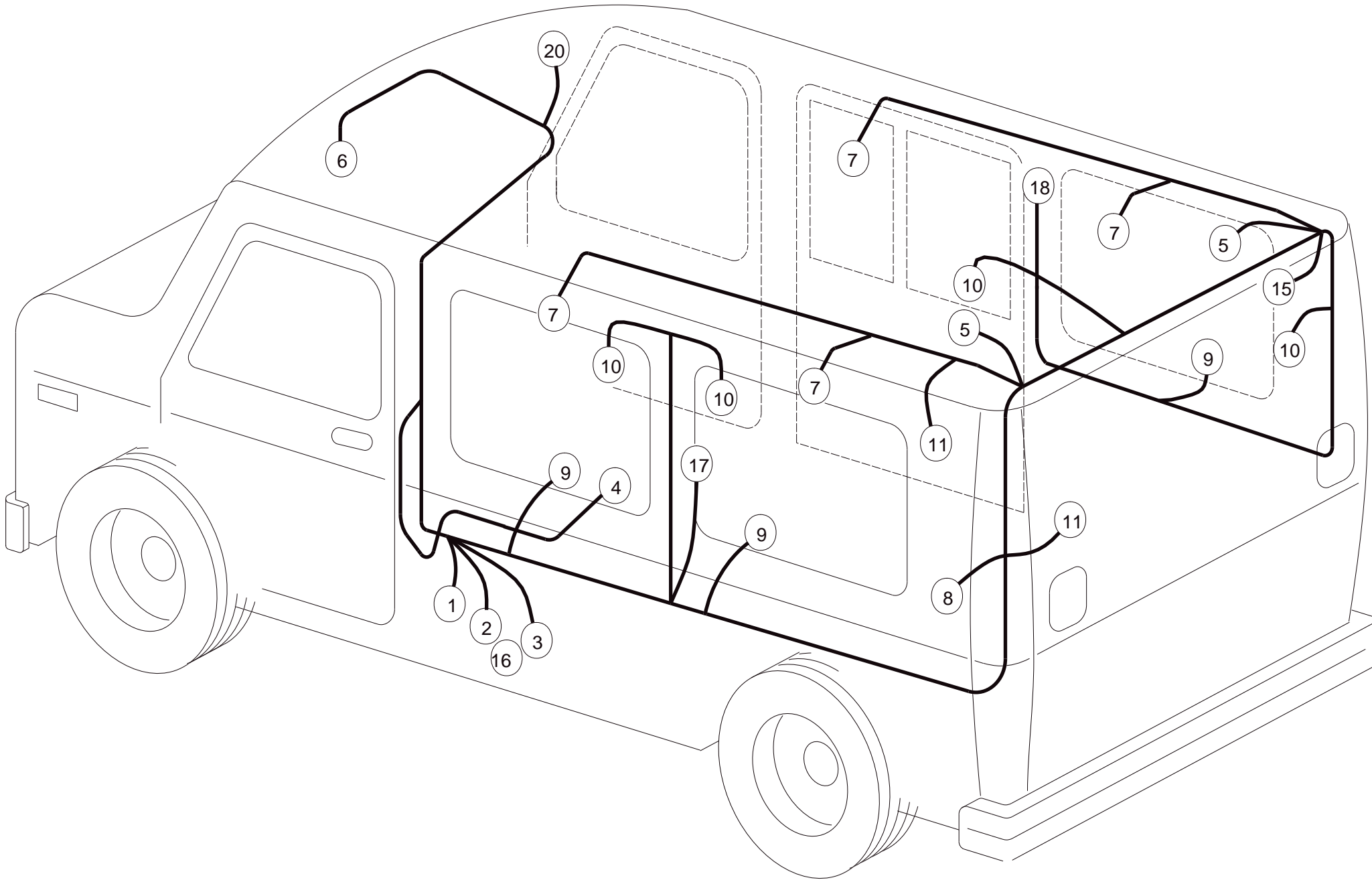
**Bosch
30A
Relay**



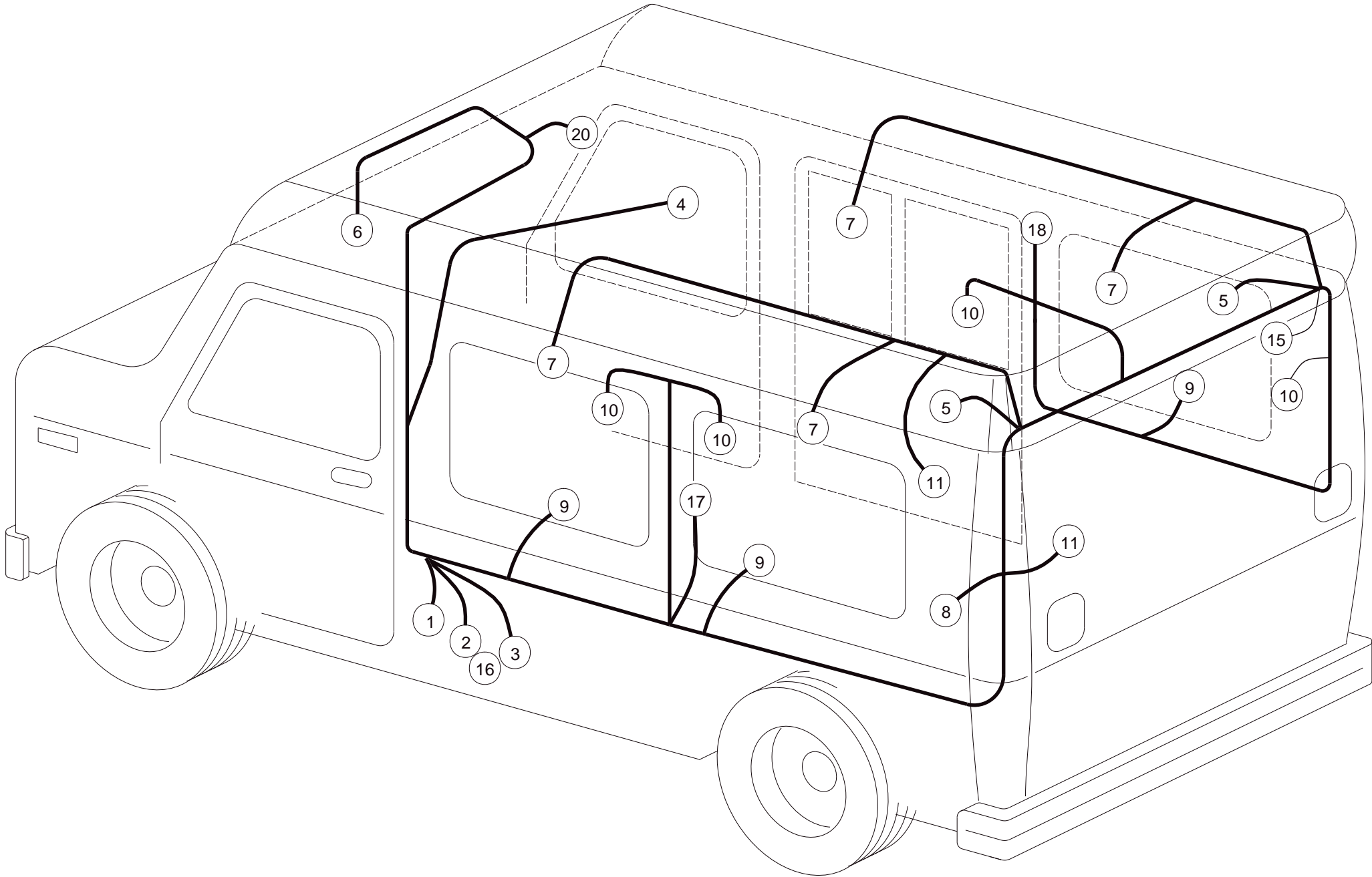
FRONT →

**1998/1999 GM
STEALTH EDITION**

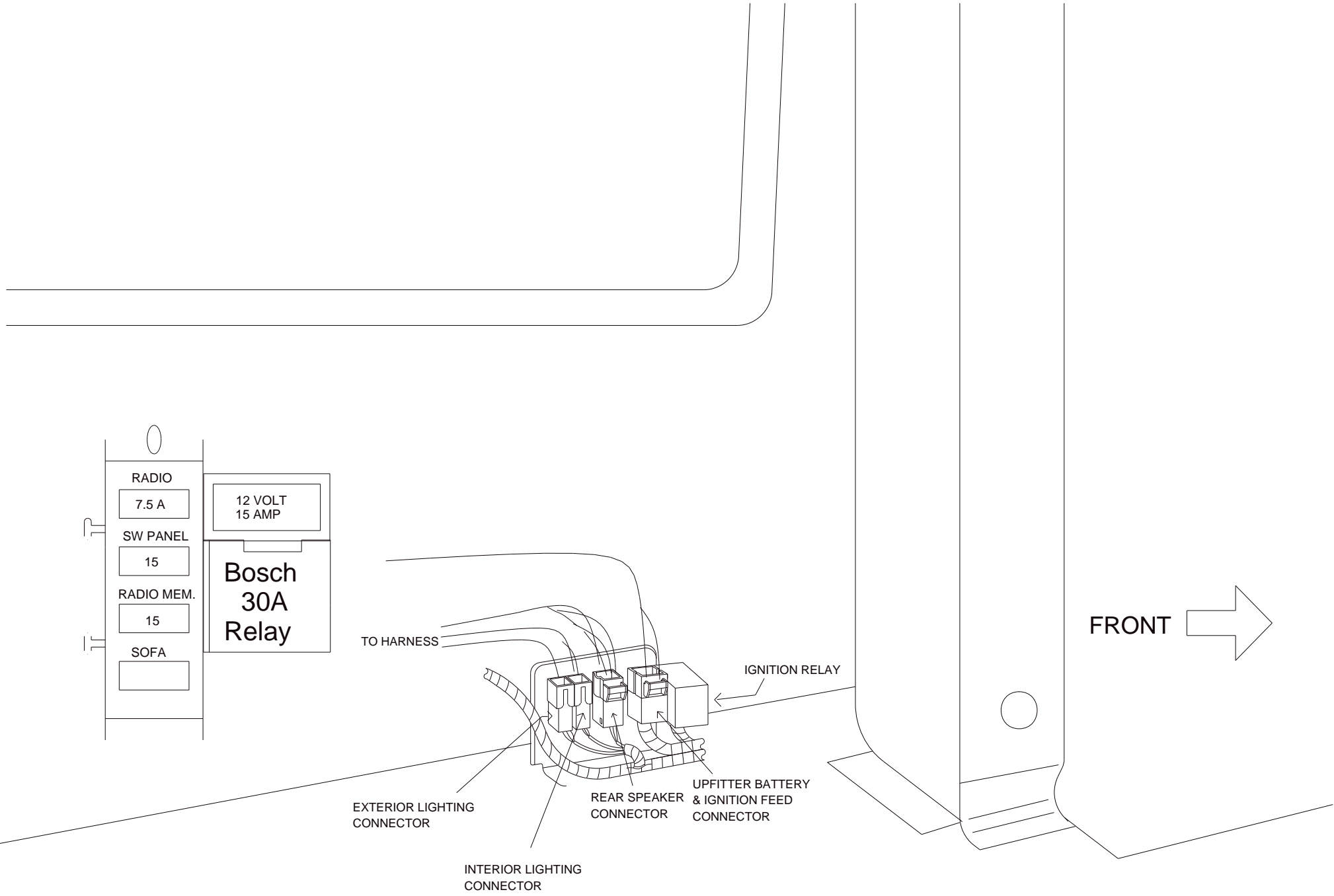
GM
STEALTH EDITION
LOW TOP



GM STEALTH EDITION HIGH TOP



CHASSIS MANUFACTURER: GM		MODEL YEAR: 1999		HARNESS PART #: 3012-99		MODEL USAGE: STEALTH	
CK#	CIRCUIT ITEMS	ITEM	QTY	WIRE SIZE/COLOR	POWER SOURCE	AMP DRAW	FUSE SIZE & LOCATION
1	FUSEBLOCK		1		OEM		
		1		18 YELLOW		1.0	7.5 AMP/"B" PILLAR
		2		14 RED/WHITE		9.0	15 AMP/ "B" PILLAR
		3		14 RED		12.4	15 AMP/ "B" PILLAR
		4		18 WHITE		.5	5 AMP/"B"PILLAR
		5		18 ORANGE			
		6		18 WHITE/ORANGE			
		7		18 BLUE/BLACK			
		8		14 BLACK	GROUND		
2	STEREO		1		FUSEBLOCK		
		1	3	18 YELLOW		.5	
		2		18 BLACK			
		3		18 WHITE		.5	
3	COURTESY TAP		1		OEM		
		1		18 ORANGE			
		2		18 WHITE/ORANGE			
4	TV		1		SWITCH PANEL	3.4	
		1		16 PURPLE			
		2		16 BLACK			
		3		18 GRAY			
		4		18 GRAY/BLACK			
5	COURTESY		2		COURTESY TAP	4.4	
		1		18 BLUE/BLACK			
		2		18 BLACK			
6	SWITCH PANEL		1		FUSEBLOCK	12.4	
		1		14 RED			
		2		18 BLACK			
		3		16 BROWN			
		4		16 GREEN			
		5		16 PURPLE			
		6		16 BLUE			



RADIO

7.5 A

SW PANEL

15

RADIO MEM.

15

SOFA

12 VOLT
15 AMP

**Bosch
30A
Relay**

TO HARNESS

IGNITION RELAY

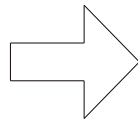
EXTERIOR LIGHTING
CONNECTOR

REAR SPEAKER
CONNECTOR

UPFITTER BATTERY
& IGNITION FEED
CONNECTOR

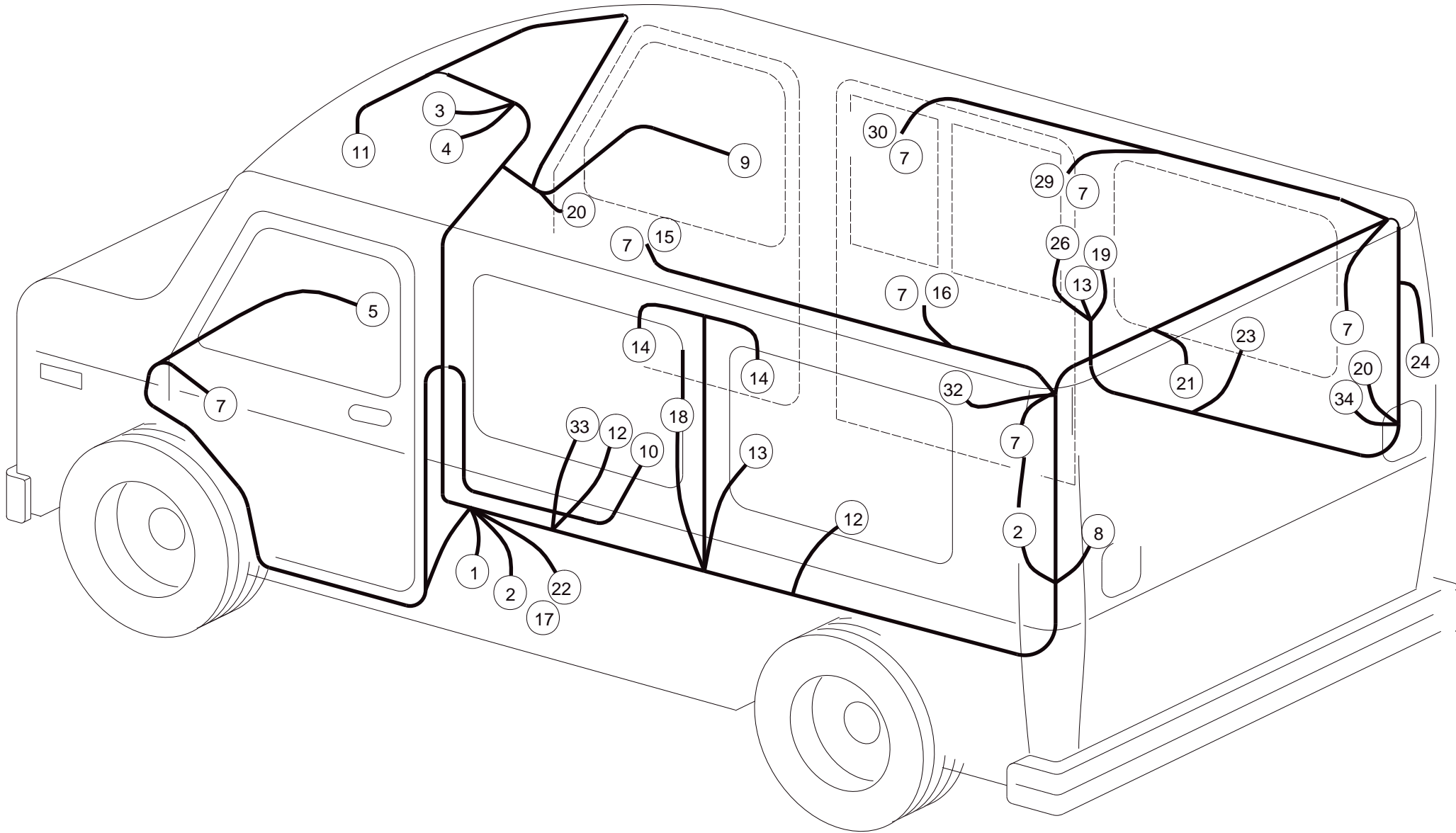
INTERIOR LIGHTING
CONNECTOR

FRONT

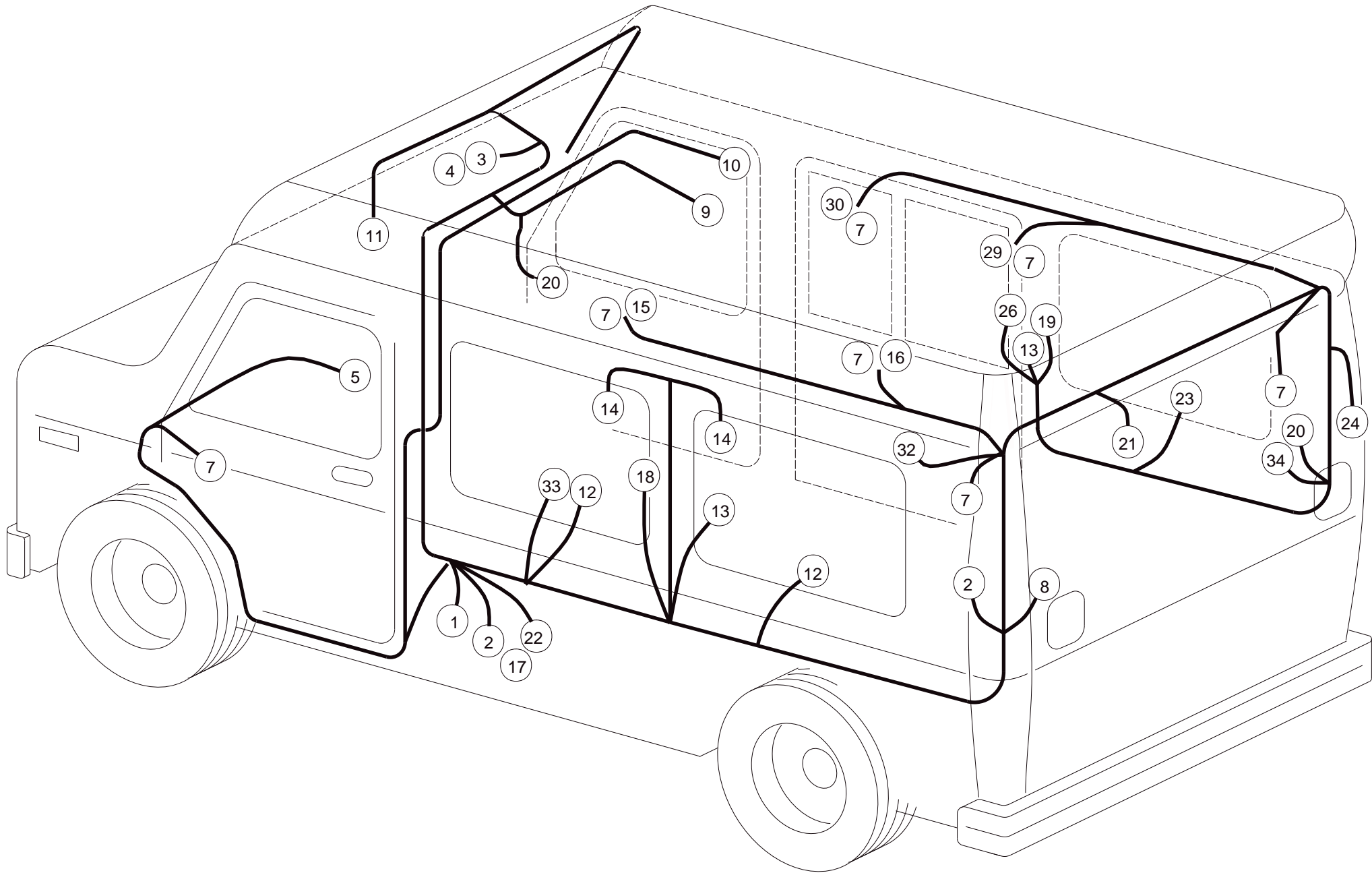


**1998/1999 DODGE
DIAMOND EDITION**

DODGE
DIAMOND EDITION
LOW TOP

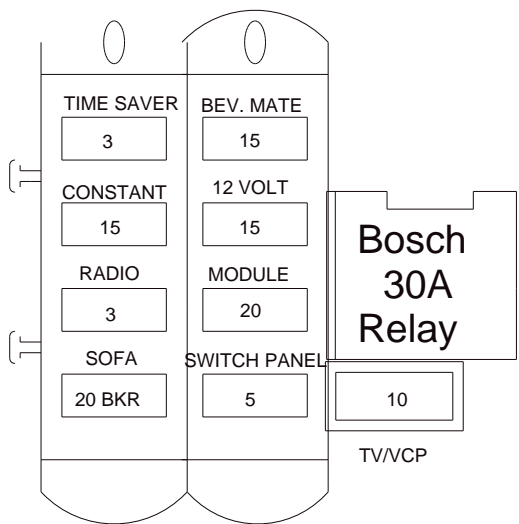


DODGE DIAMOND EDITION HIGH TOP



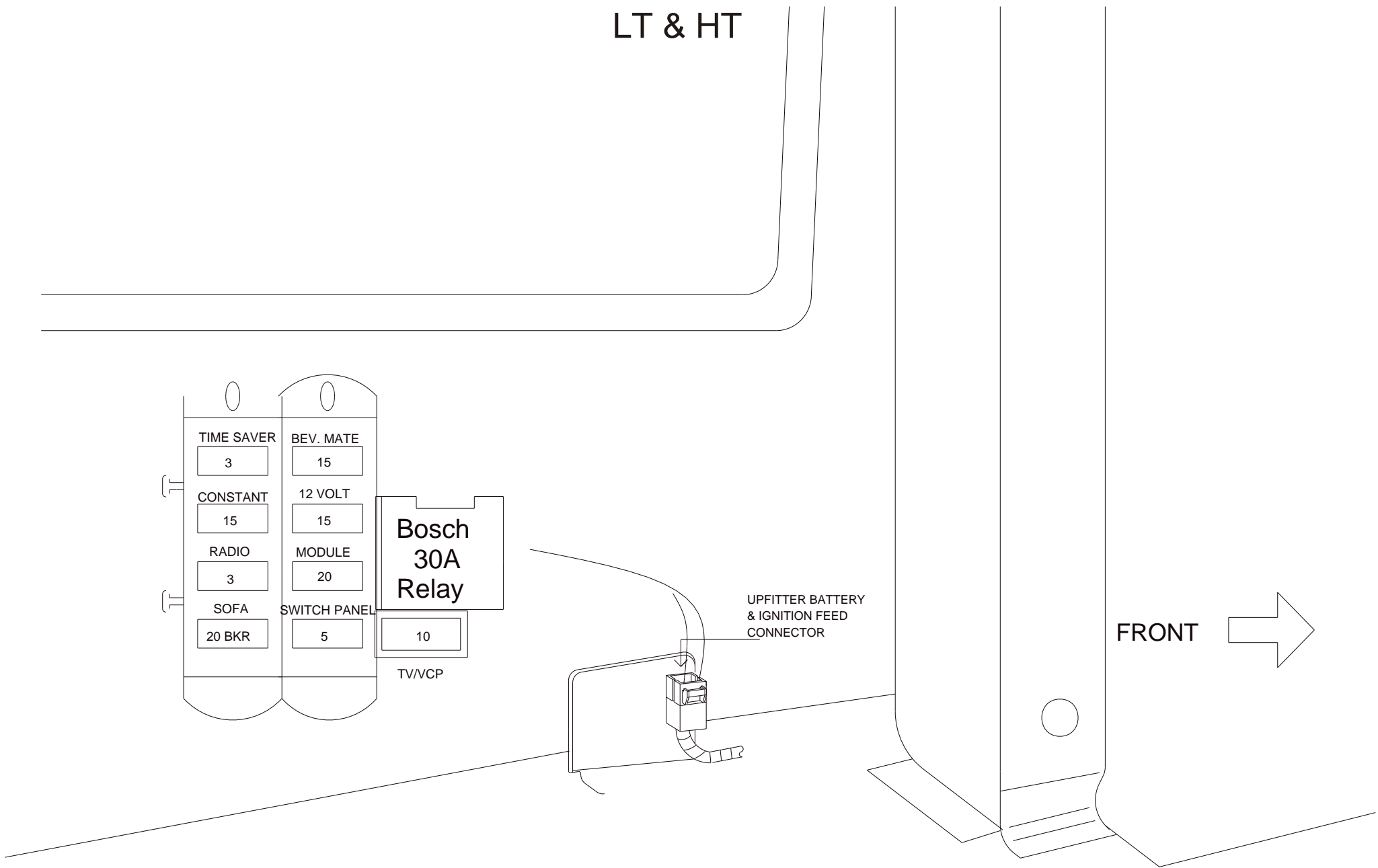
CHASSIS MANUFACTURER: DODGE		MODEL YEAR: 1999		HARNESS PART #: 5000DG-99		MODEL USAGE: DIAMOND	
CK#	CIRCUIT ITEMS	ITEM	QTY	WIRE SIZE/COLOR	POWER SOURCE	AMP DRAW	FUSE SIZE & LOCATION
7	COURTESY		7		COURTESY TAP	5.3	
		1		18 BLUE/BLACK			
		2		18 BLACK			
8	OPERA TAP		1				
		1		18 ORANGE/BLACK			
9	CENTER BEAM		1		MODULE	2.8	
		1		18 BROWN			
		2		18 BLACK			
10	TV		1		TV SWITCH	3.4	
		1		16 BLUE			
		2		16 BLACK			
		3		18 GRAY			
		4		18 GRAY/BLACK			
11	SWITCH PANEL		1		FUSEBLOCK	0.5	
		1		18 PINK/BLACK			
		2		18 BLACK			
12	DRIVER MOOD		2		MODULE	1.4	
		1		18 GREEN			
		2		18 BLACK			
13	OPERA LIGHT		2		OPERA TAP	1.0	
		1		18 ORANGE/BLACK			
14	DRIVER SIDE VALANCE		2		MODULE	1.2	
		1		18 YELLOW/RED			
		2		18 BLACK			

DODGE DIAMOND LT & HT



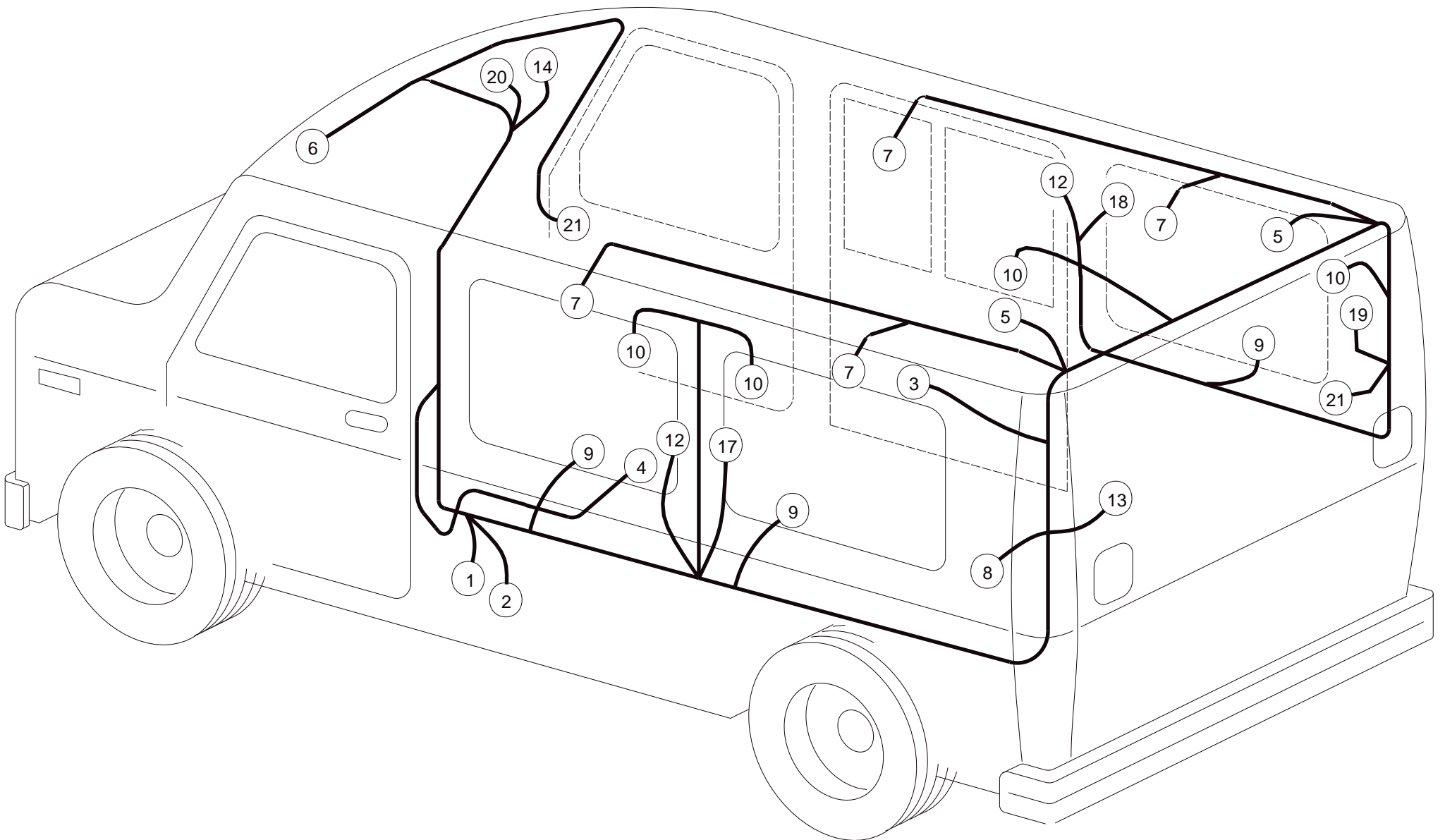
UPFITTER BATTERY
& IGNITION FEED
CONNECTOR

FRONT 

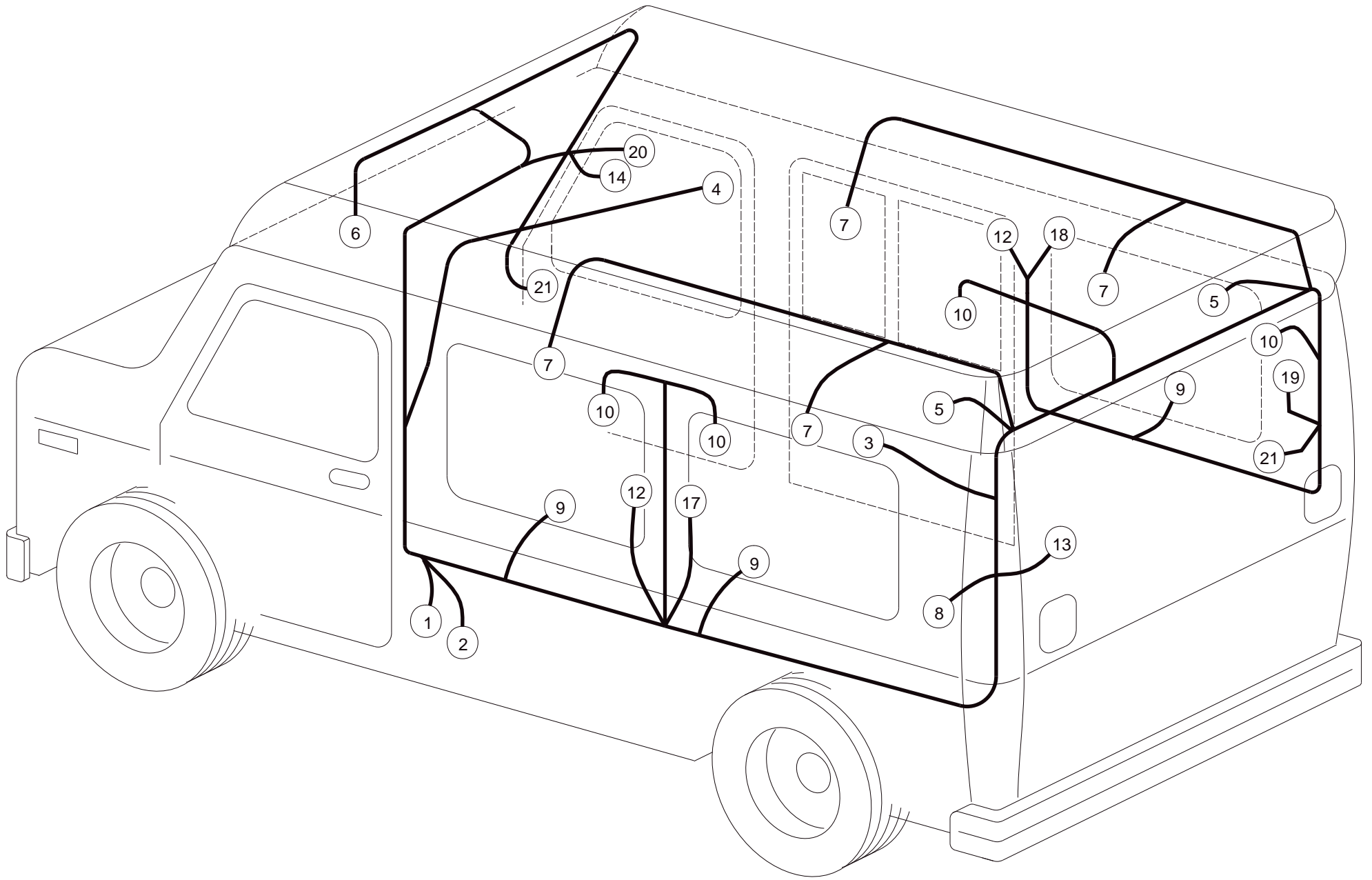


**1998/1999 DODGE
EMERALD EDITION**

DODGE
EMERALD EDITION
LOW TOP

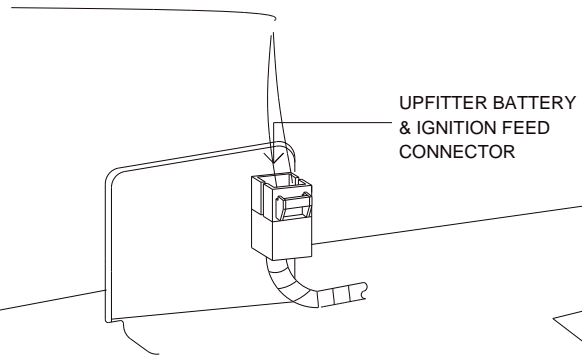
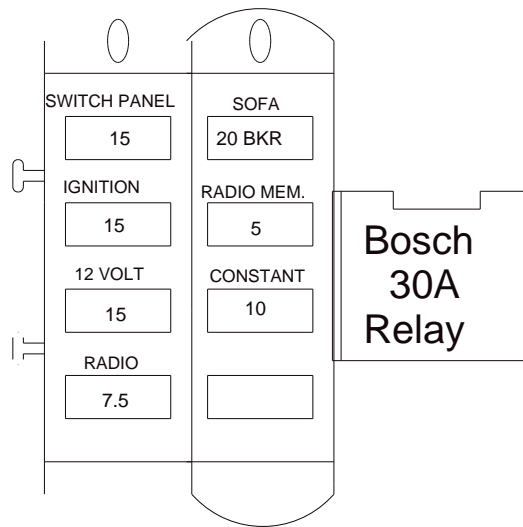


DODGE
EMERALD EDITION
HIGH TOP



CHASSIS MANUFACTURER: DODGE		MODEL YEAR: 1999		HARNESS PART #: 3009-99		MODEL USAGE: EMERALD	
CK#	CIRCUIT ITEMS	ITEM	QTY	WIRE SIZE/COLOR	POWER SOURCE	AMP DRAW	FUSE SIZE & LOCATION
1	FUSEBLOCK		1		OEM		
		1		18 YELLOW		.5	7.5 AMP/"B" PILLAR
		2		14 RED/WHITE		9.0	15 AMP/"B" PILLAR
		3		14 RED		12.4	15 AMP/"B" PILLAR
		4		18 WHITE		.5	5 AMP/"B" PILLAR
		5		12 YELLOW			
		6		18 ORANGE			
		7		18 WHITE/ORANGE			
		8		18 BLUE/BLACK			
		9		14 BLACK	GROUND		"B" PILLAR
2	STEREO		1		FUSEBLOCK		
		1	4	18 YELLOW		.5	
		2		18 BLACK			
		3	2	18 WHITE		.5	
3	COURTESY TAP		1		OEM		
		1		18 ORANGE			
		2		18 WHITE/ORANGE			
4	TV		1		SWITCH PANEL	3.4	
		1		16 PURPLE			
		2		16 BLACK			
		3		18 GRAY			
		4		18 GRAY/BLACK			
5	COURTESY		2		COURTESY TAP	4.4	
		1		18 BLUE/BLACK			
		2		18 BLACK			
6	SWITCH PANEL		1		FUSEBLOCK	12.4	
		1		14 RED			
		2		18 BLACK			
		3		16 BROWN			
		4		16 GREEN			
		5		16 PURPLE			
		6		16 BLUE			

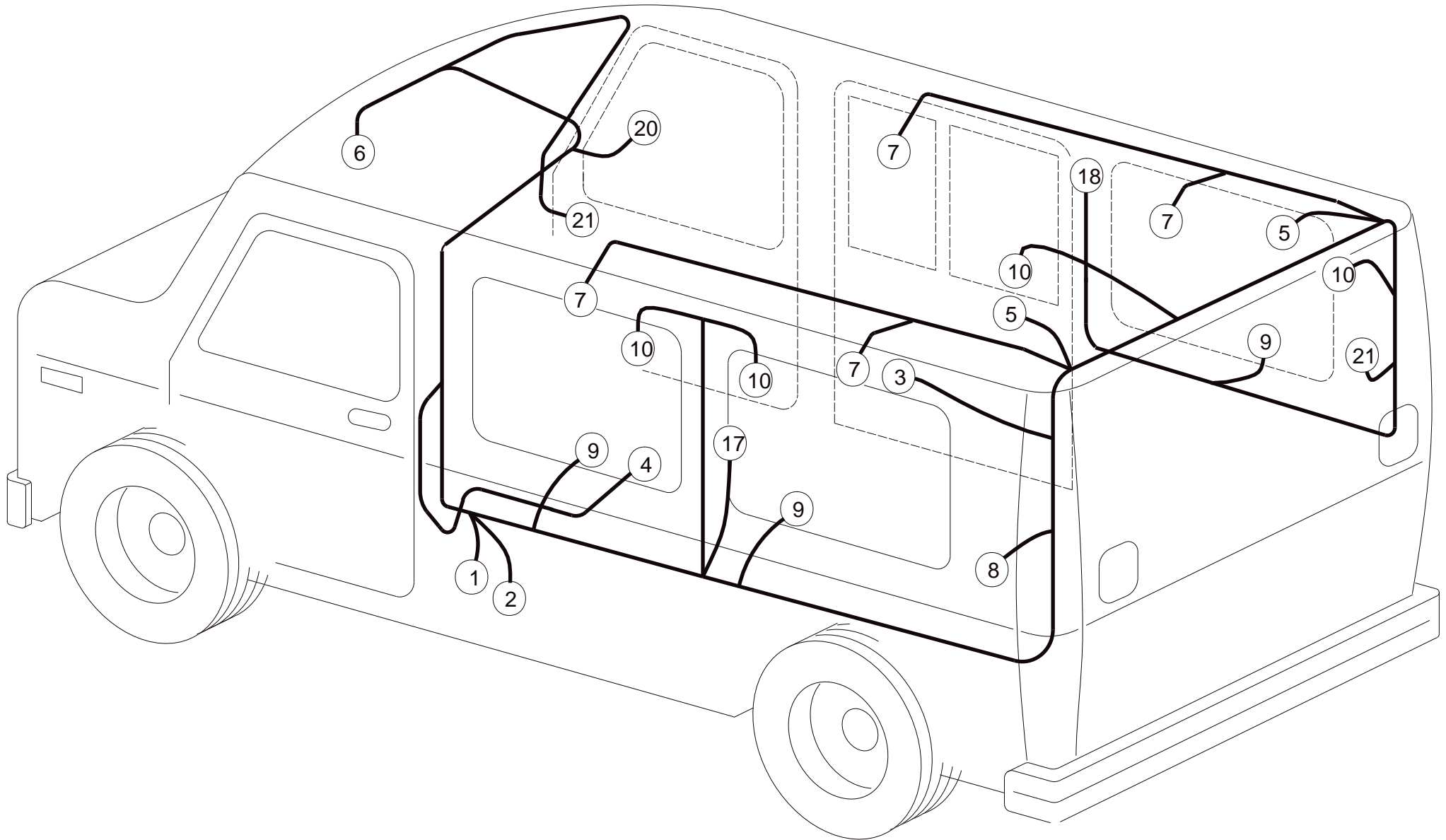
DODGE EMERALD LT & HT



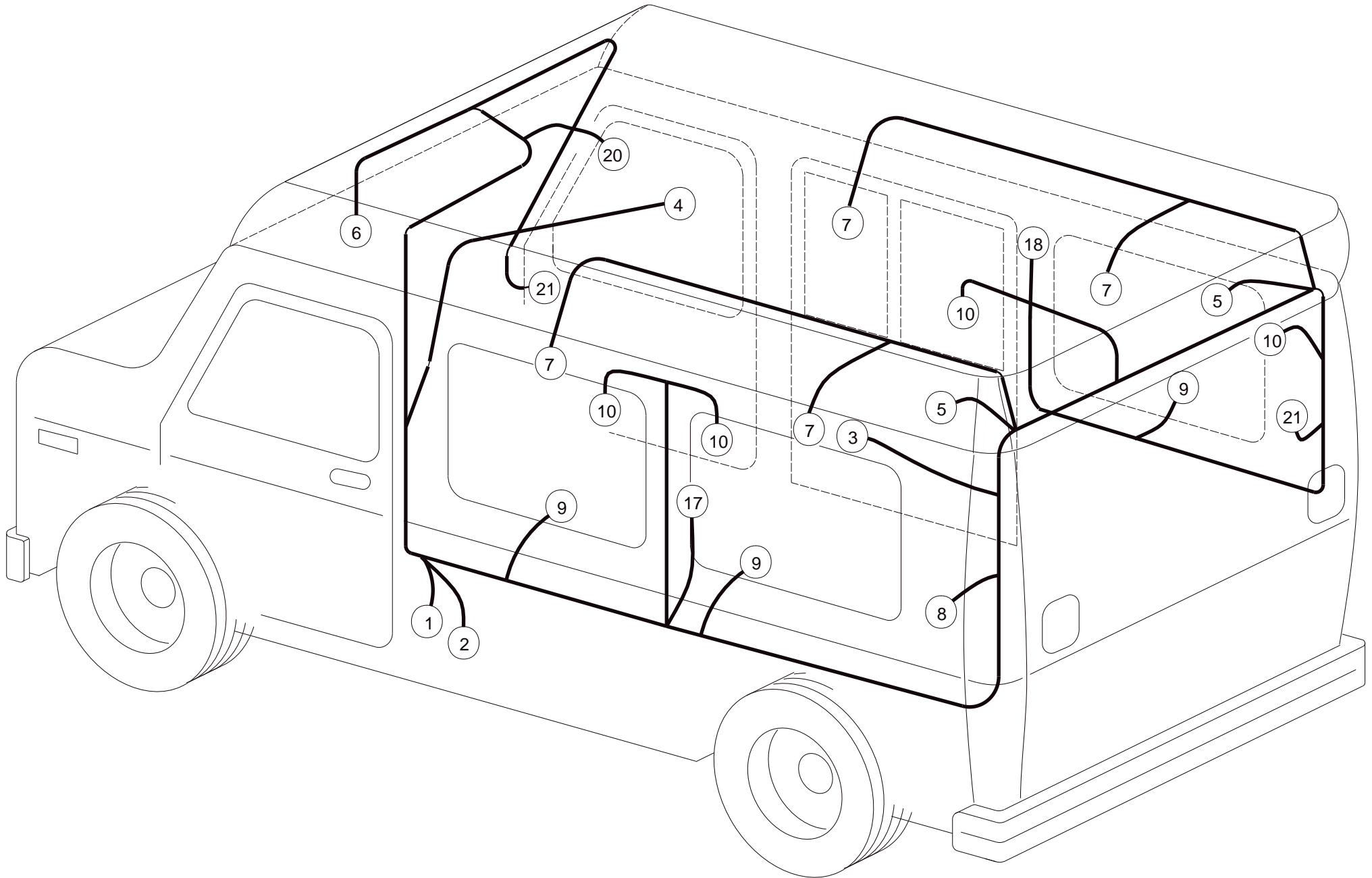
FRONT 

**1998/1999 DODGE
STEALTH EDITION**

DODGE
STEALTH EDITION
LOW TOP

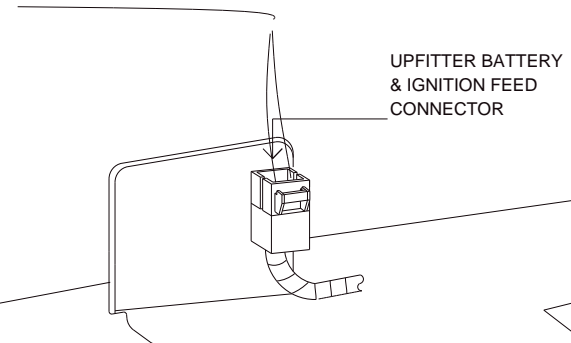
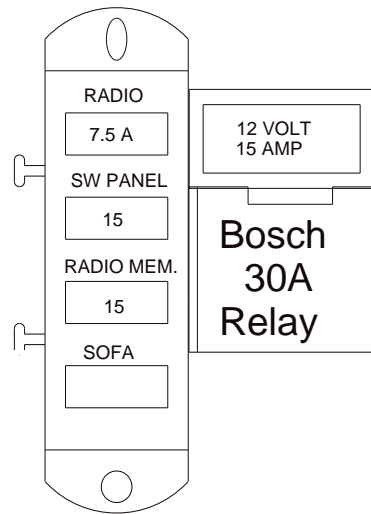


DODGE
STEALTH EDITION
LOW TOP

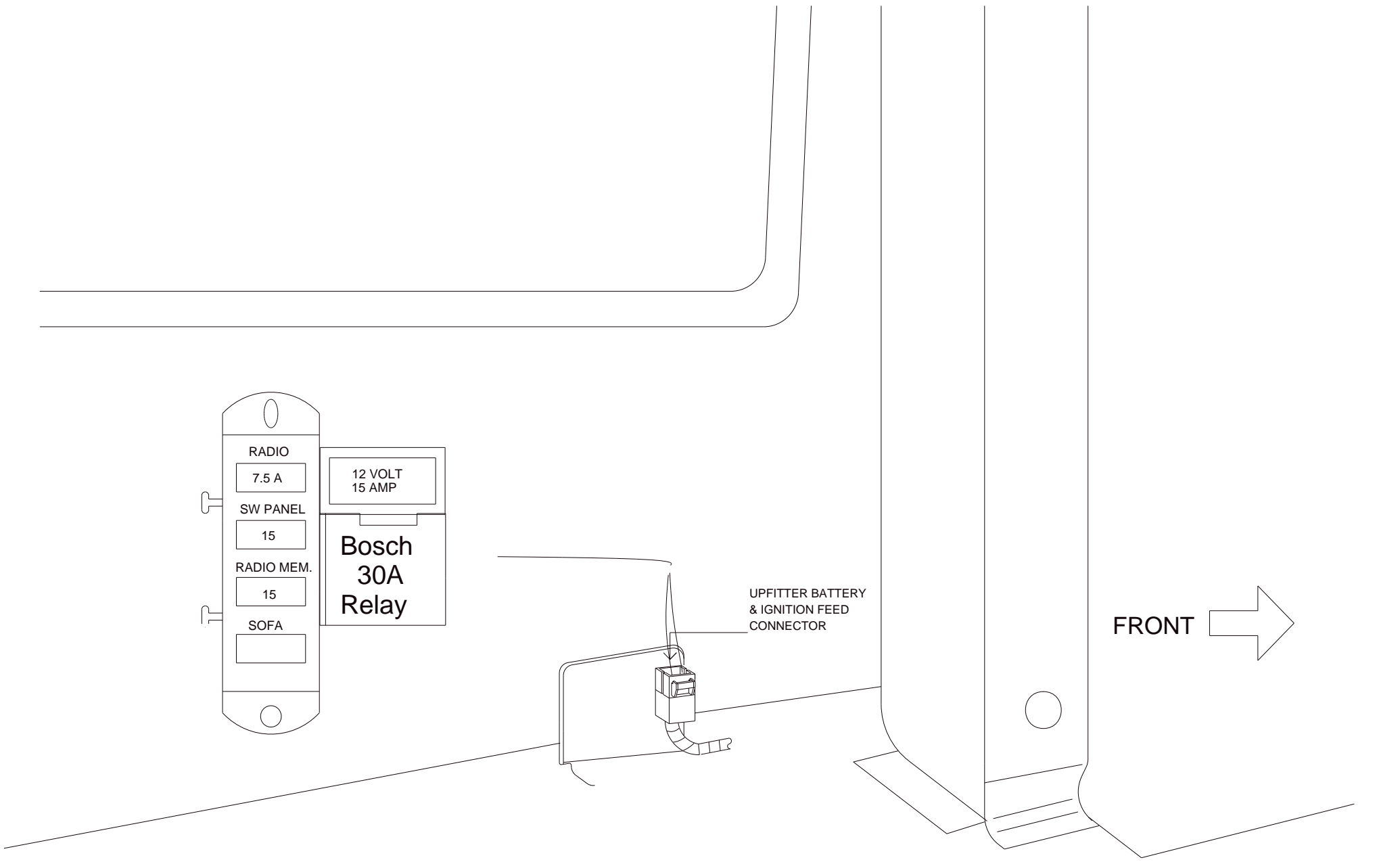


CHASSIS MANUFACTURER: DODGE		MODEL YEAR: 1999					MODEL USAGE: STEALTH	
CK#	CIRCUIT ITEMS	ITEM	QTY	WIRE SIZE/COLOR				
1	FUSEBLOCK		1					
		1		18	YELLOW			
		2		14	RED/WHITE			
		3		14	RED			
		4		18	WHITE			
		5		18	ORANGE			
		6		18	WHITE/ORANGE			
		7		18	BLUE/BLACK			
		8		14	BLACK			
2	STEREO		1					
		1	3	18	YELLOW			
		2		18	BLACK			
		3		18	WHITE			
3	COURTESY TAP		1					
		1		18	ORANGE			
		2		18	WHITE/ORANGE			
4	TV		1					
		1		16	PURPLE			
		2		16	BLACK			
		3		18	GRAY			
		4		18	GRAY/BLACK			
5	COURTESY		2					
		1		18	BLUE/BLACK			
		2		18	BLACK			
6	SWITCH PANEL		1					
		1		14	RED			
		2		18	BLACK			
		3		16	BROWN			
		4		16	GREEN			
		5		16	PURPLE			
		6		16	BLUE			

DODGE STEALTH LT & HT

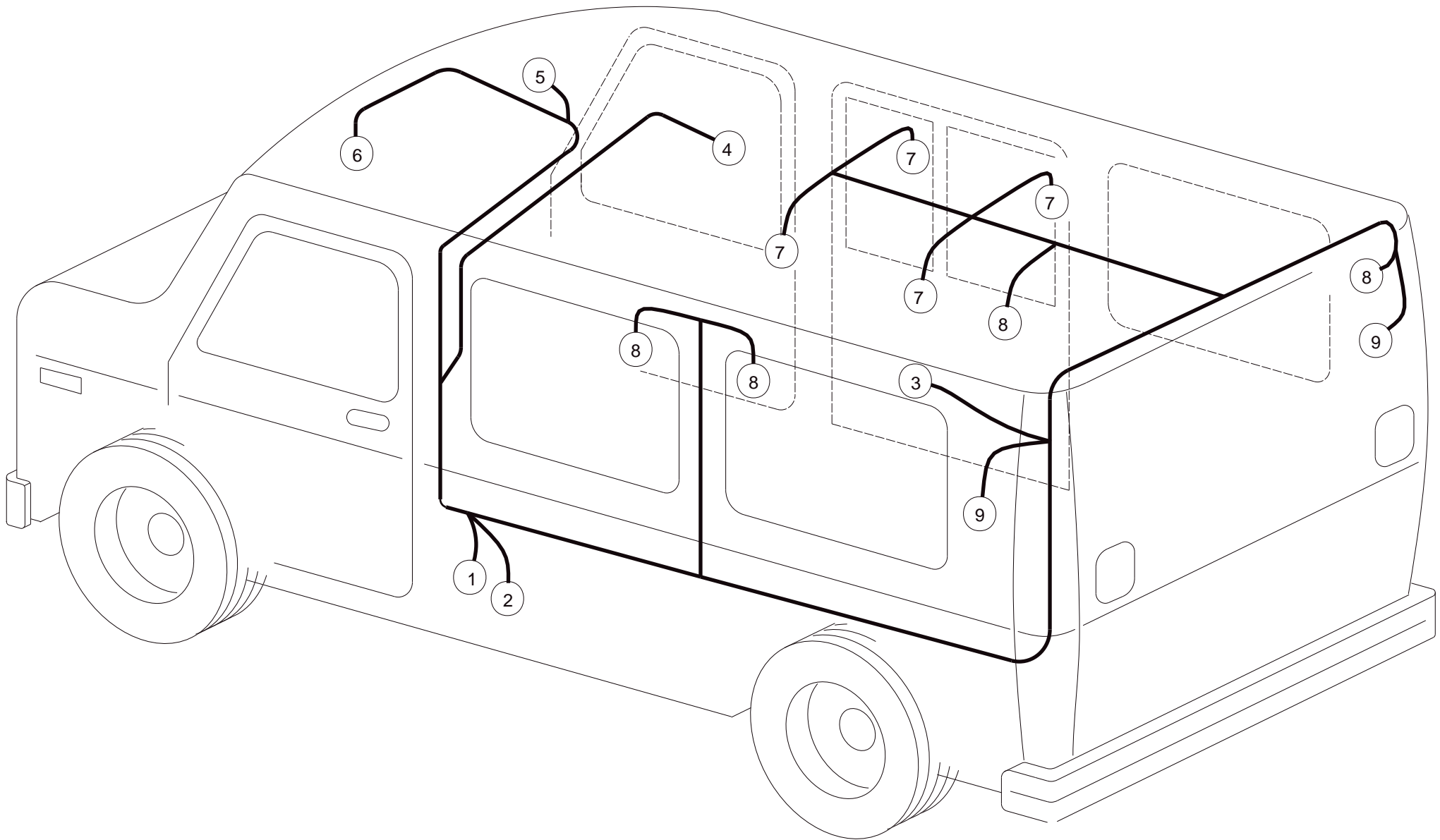


FRONT →

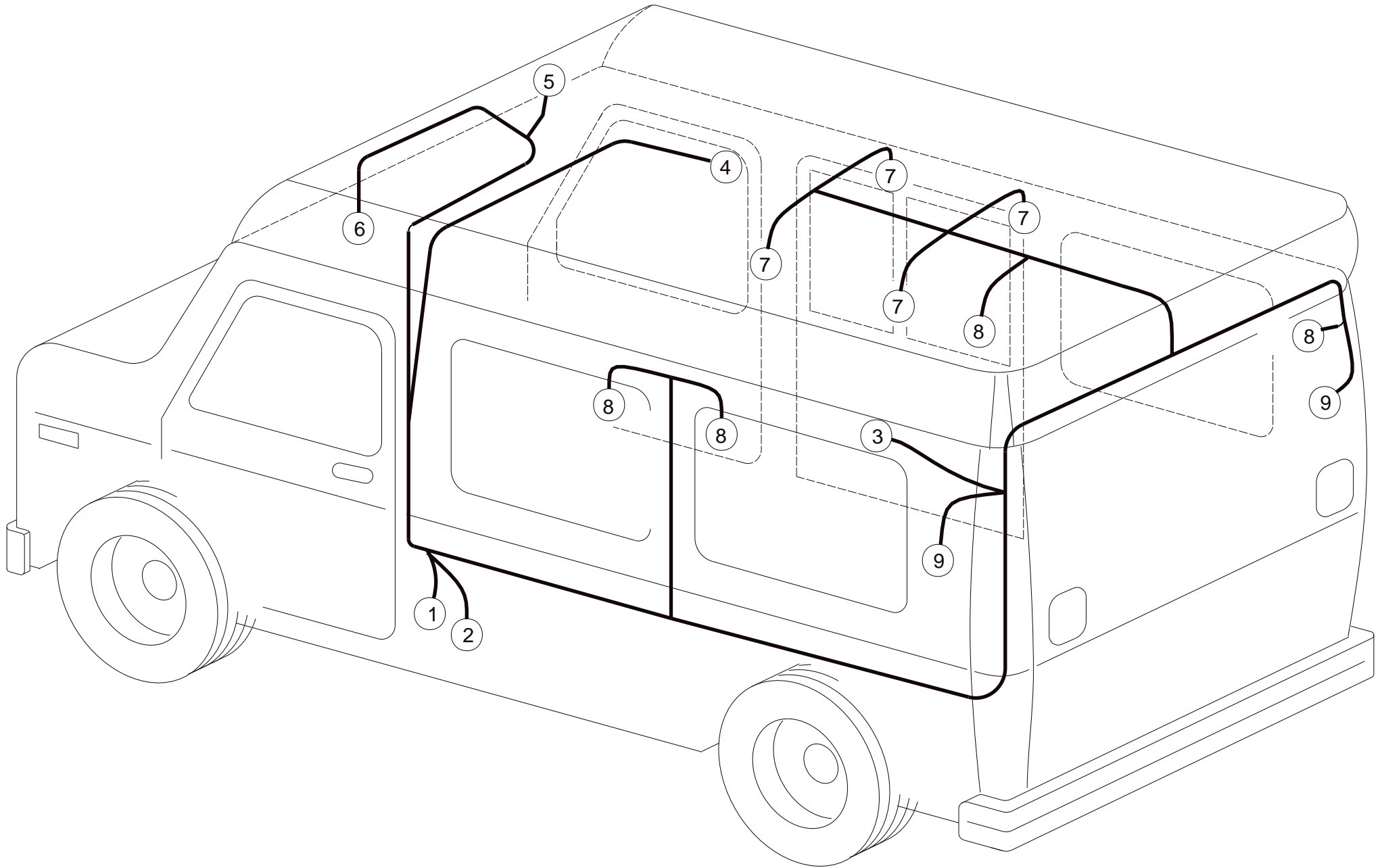


**1998/1999 DODGE
SWB EDITION**

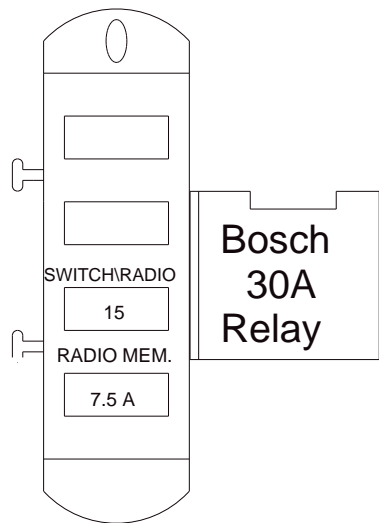
DODGE
SWB EDITION
LOW TOP



DODGE
SWB EDITION
HIGH TOP

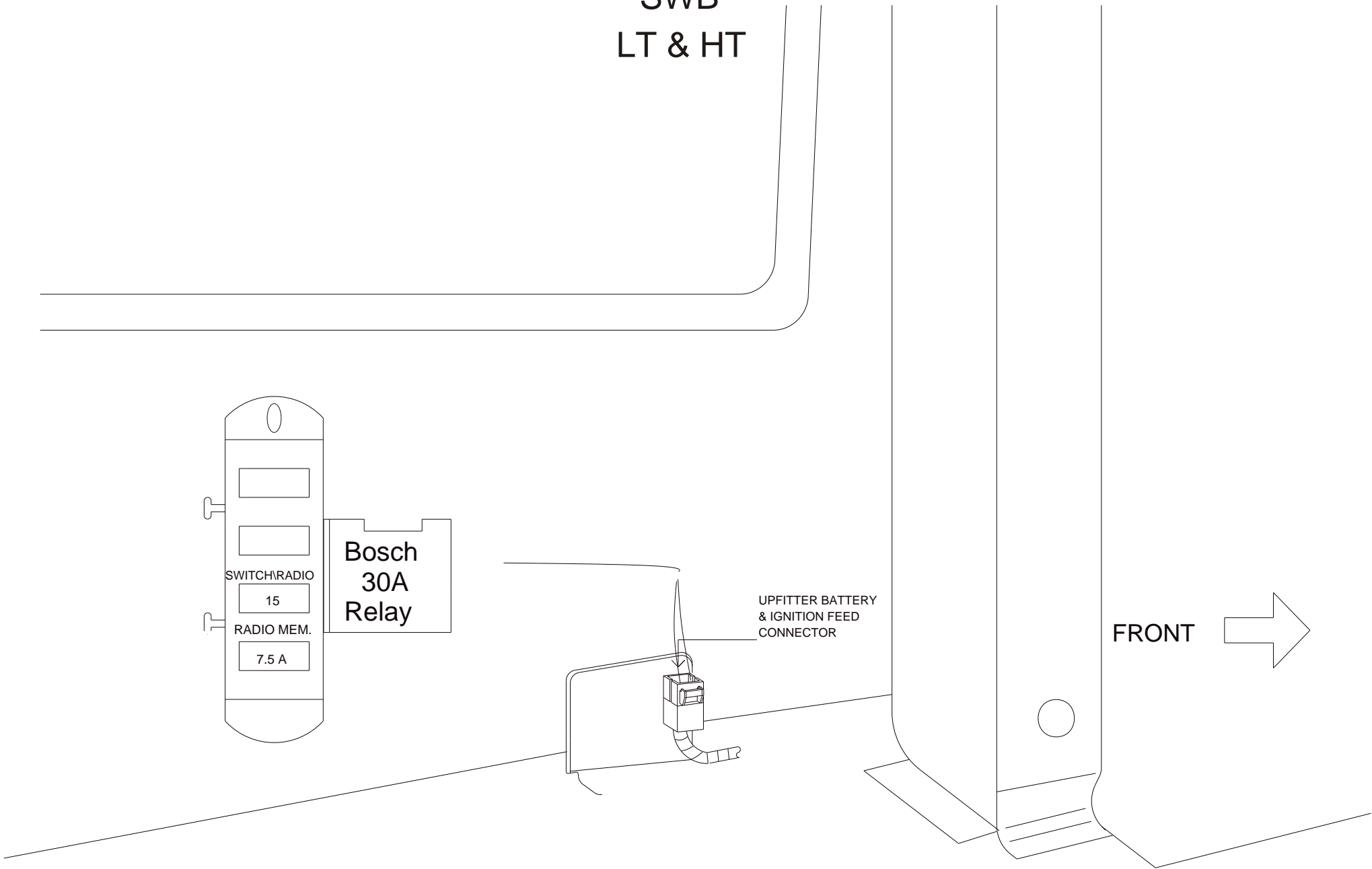
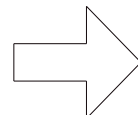


DODGE
SWB
LT & HT



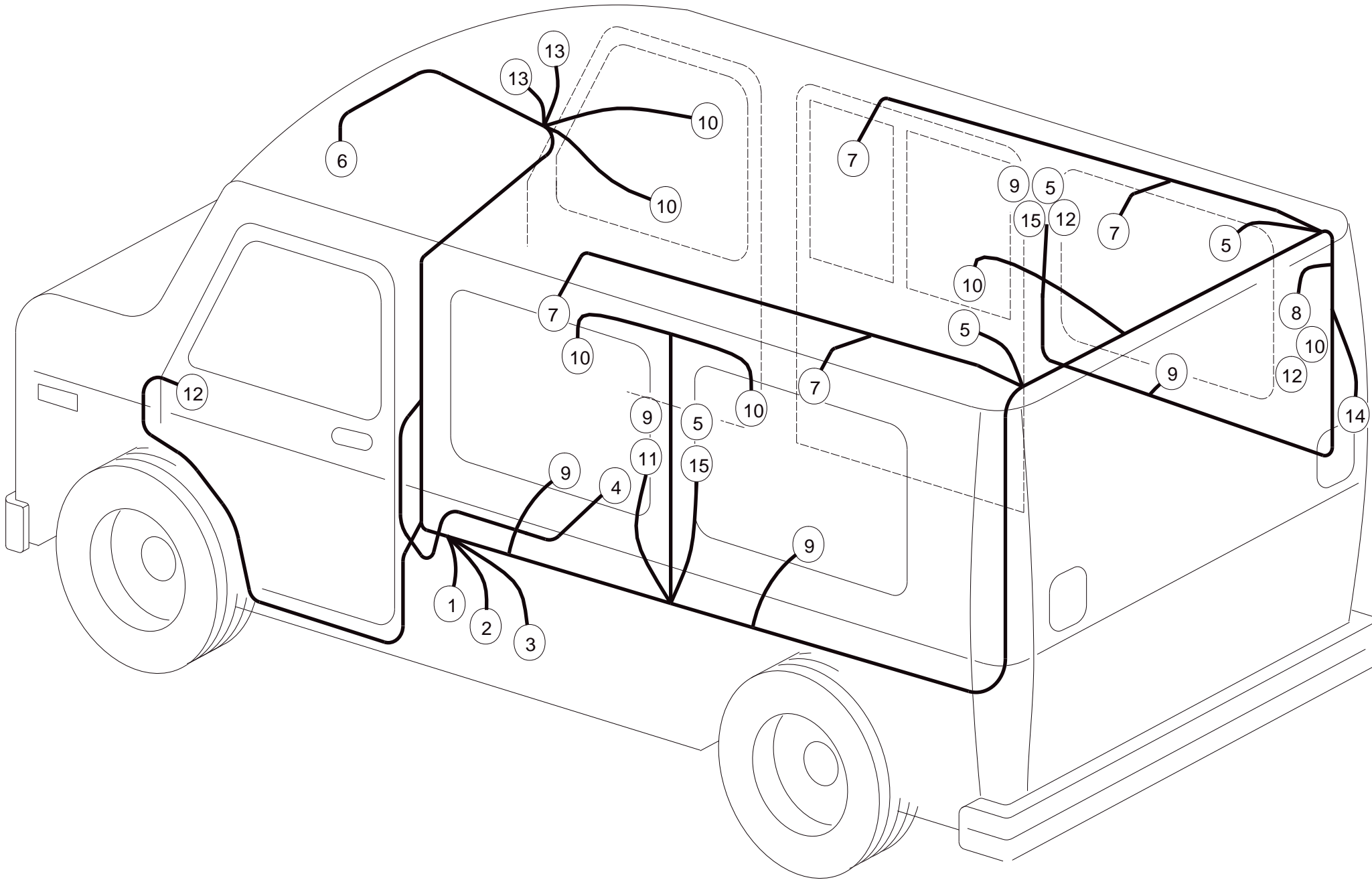
UPFITTER BATTERY
& IGNITION FEED
CONNECTOR

FRONT

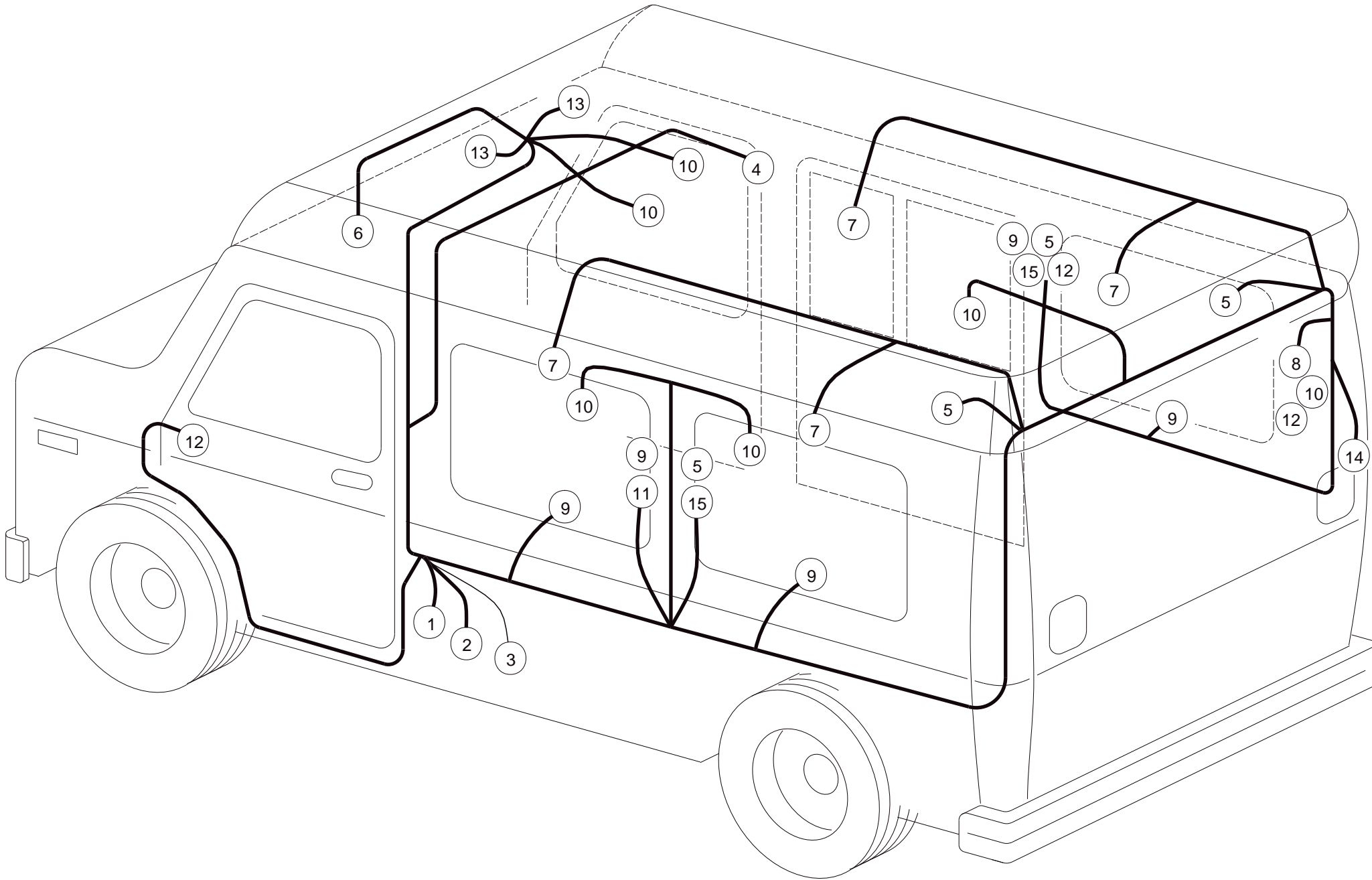


**1998/1999 GM ASTRO
DIAMOND
EDITION**

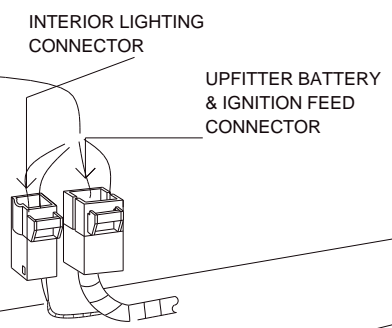
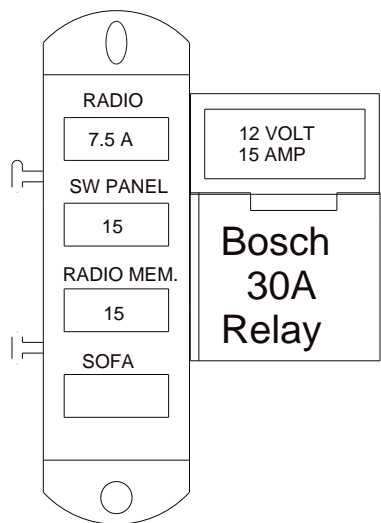
GM
ASTRO DIAMOND EDITION
LOW TOP



GM
ASTRO DIAMOND EDITION
HIGH TOP



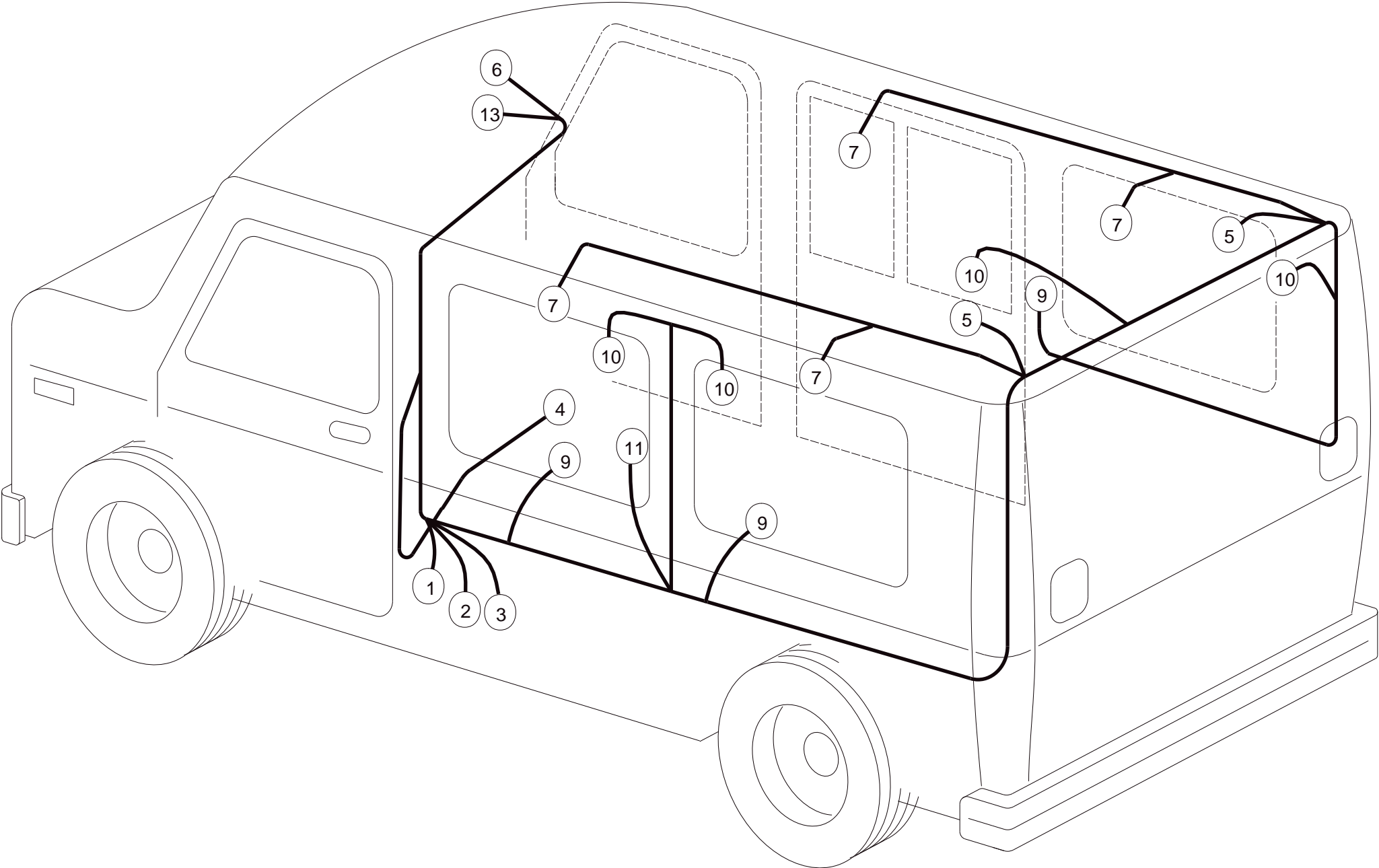
CHASSIS MANUFACTURER:		MODEL YEAR:		HARNESS PART #:		MODEL USAGE:	
GM		1999		401-99		ASTRO DIAMOND	
CK#	CIRCUIT ITEMS	ITEM	QTY	WIRE SIZE/COLOR	POWER SOURCE	AMP DRAW	FUSE SIZE & LOCATION
1	FUSEBLOCK		1		OEM		
		1		18 YELLOW		1.0	7.5 AMP/"B" PILLAR
		2		14 RED/WHITE		9.0	15 AMP/ "B" PILLAR
		3		14 RED		12.4	15 AMP/ "B" PILLAR
		4		18 WHITE		.5	5 AMP/"B" PILLAR
		5		18 ORANGE			
		6		18 WHITE/ORANGE			
		7		18 BLUE/BLACK			
		8		14 BLACK	GROUND		----/"B" PILLAR
2	STEREO		1		FUSEBLOCK		
		1	3	18 YELLOW		.5	
		2		18 BLACK			
		3		18 WHITE		.5	
3	COURTESY TAP		1		OEM		
		1		18 ORANGE			
		2		18 WHITE/ORANGE			
4	TV		1		SWITCH PANEL	3.4	
		1		16 PURPLE			
		2		16 BLACK			
		3		18 GRAY			
		4		18 GRAY/BLACK			
5	COURTESY		2		COURTESY TAP	4.4	
		1		18 BLUE/BLACK			
		2		18 BLACK			
6	SWITCH PANEL		1		FUSEBLOCK	12.4	
		1		14 RED			
		2		18 BLACK			
		3		16 BROWN			
		4		16 GREEN			
		5		16 PURPLE			
		6		16 BLUE			



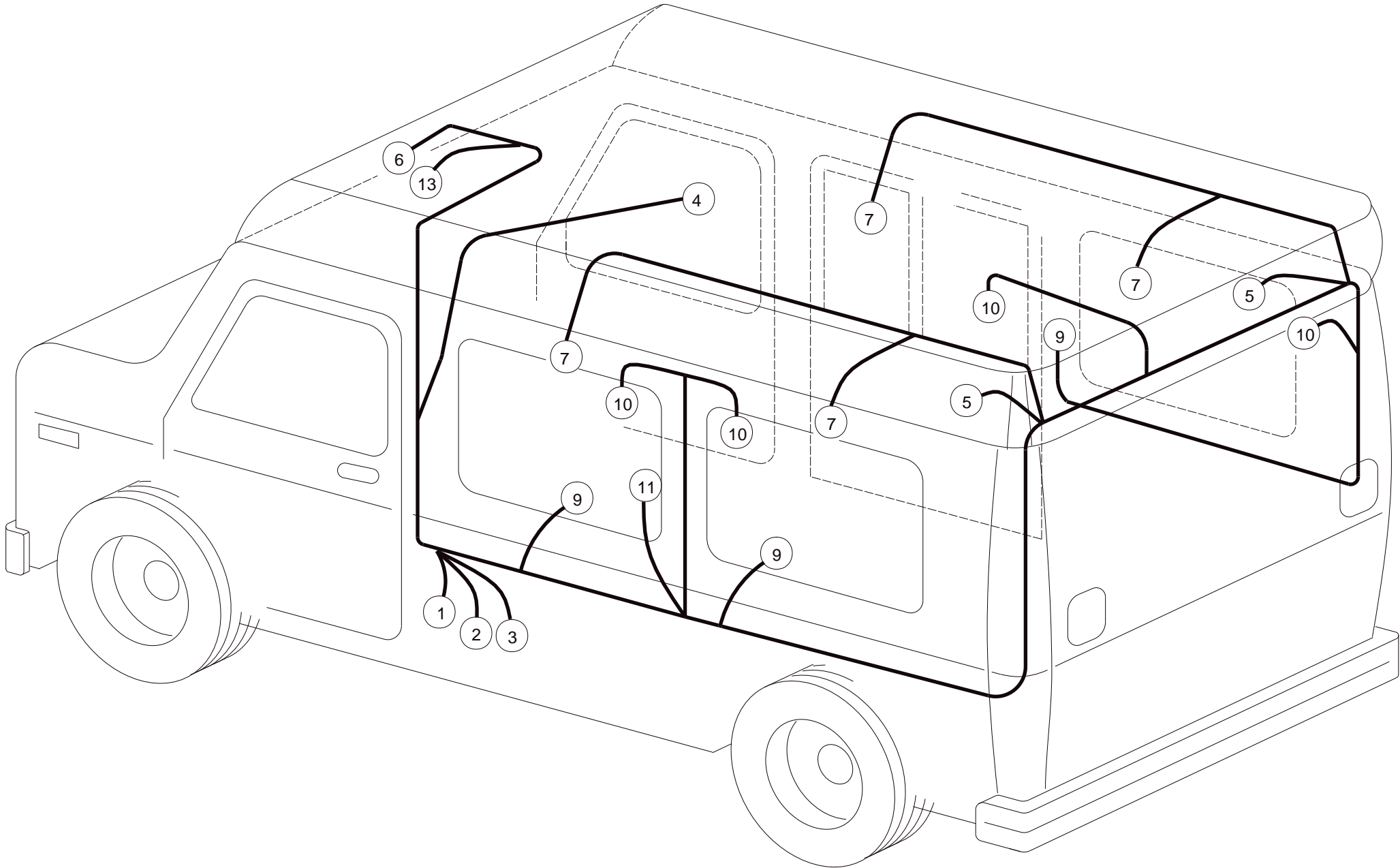
FRONT →

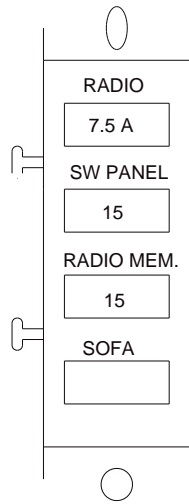
**1998/1999 GM ASTRO
ELITE
EDITION**

GM
ASTRO ELITE EDITION
LOW TOP



GM
ASTRO ELITE EDITION
HIGH TOP



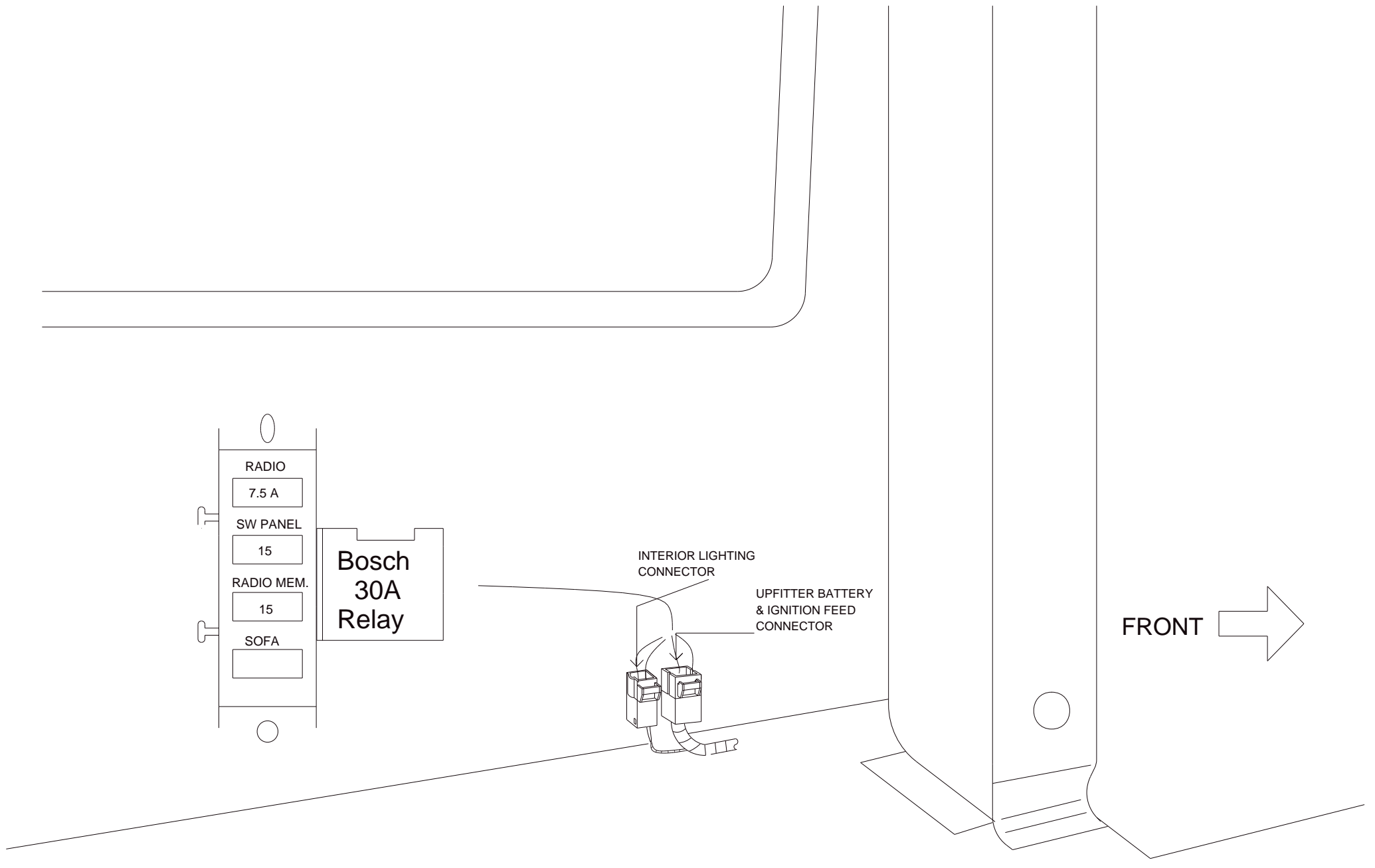


**Bosch
30A
Relay**

INTERIOR LIGHTING
CONNECTOR

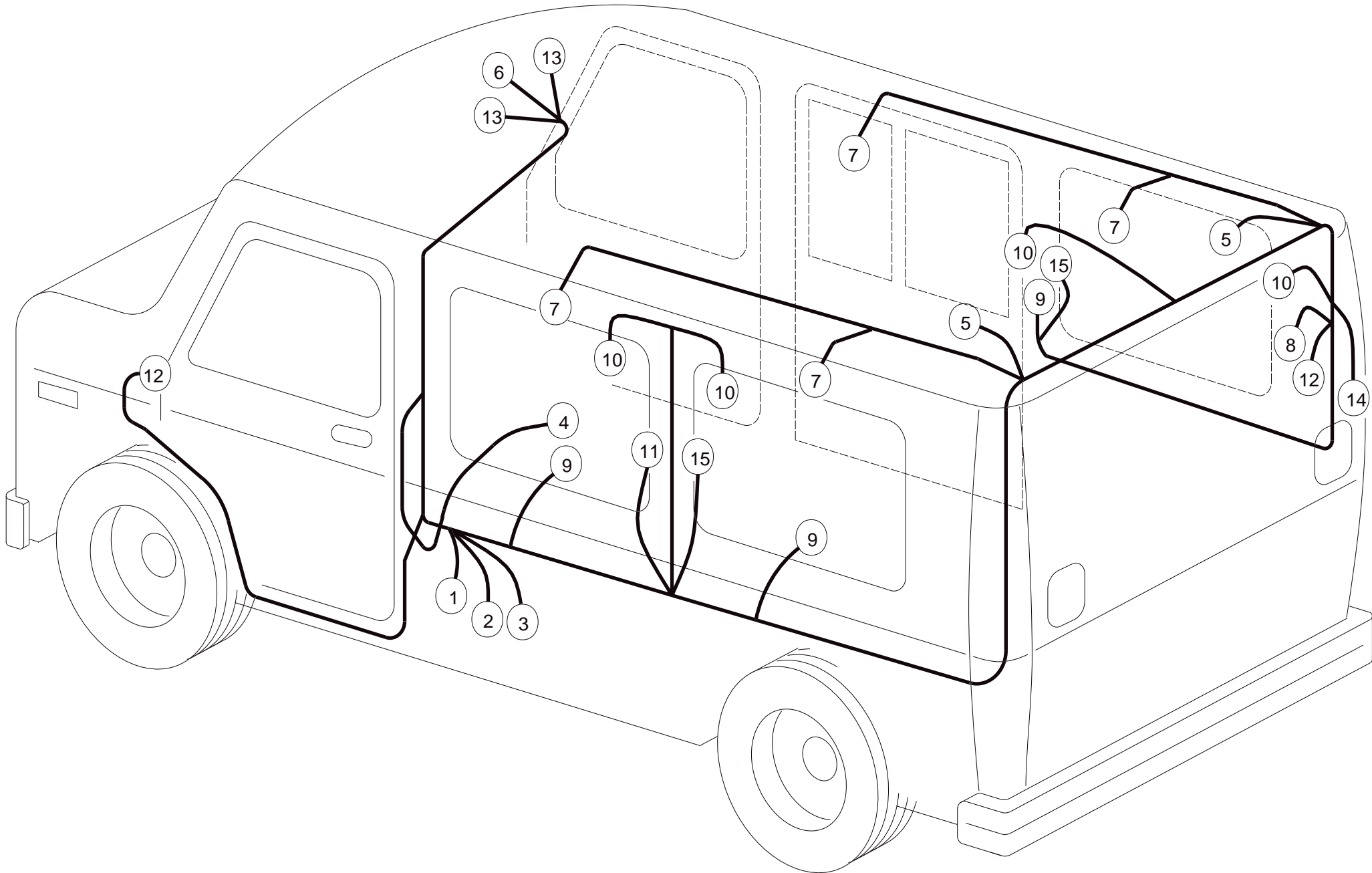
UPFITTER BATTERY
& IGNITION FEED
CONNECTOR

FRONT 

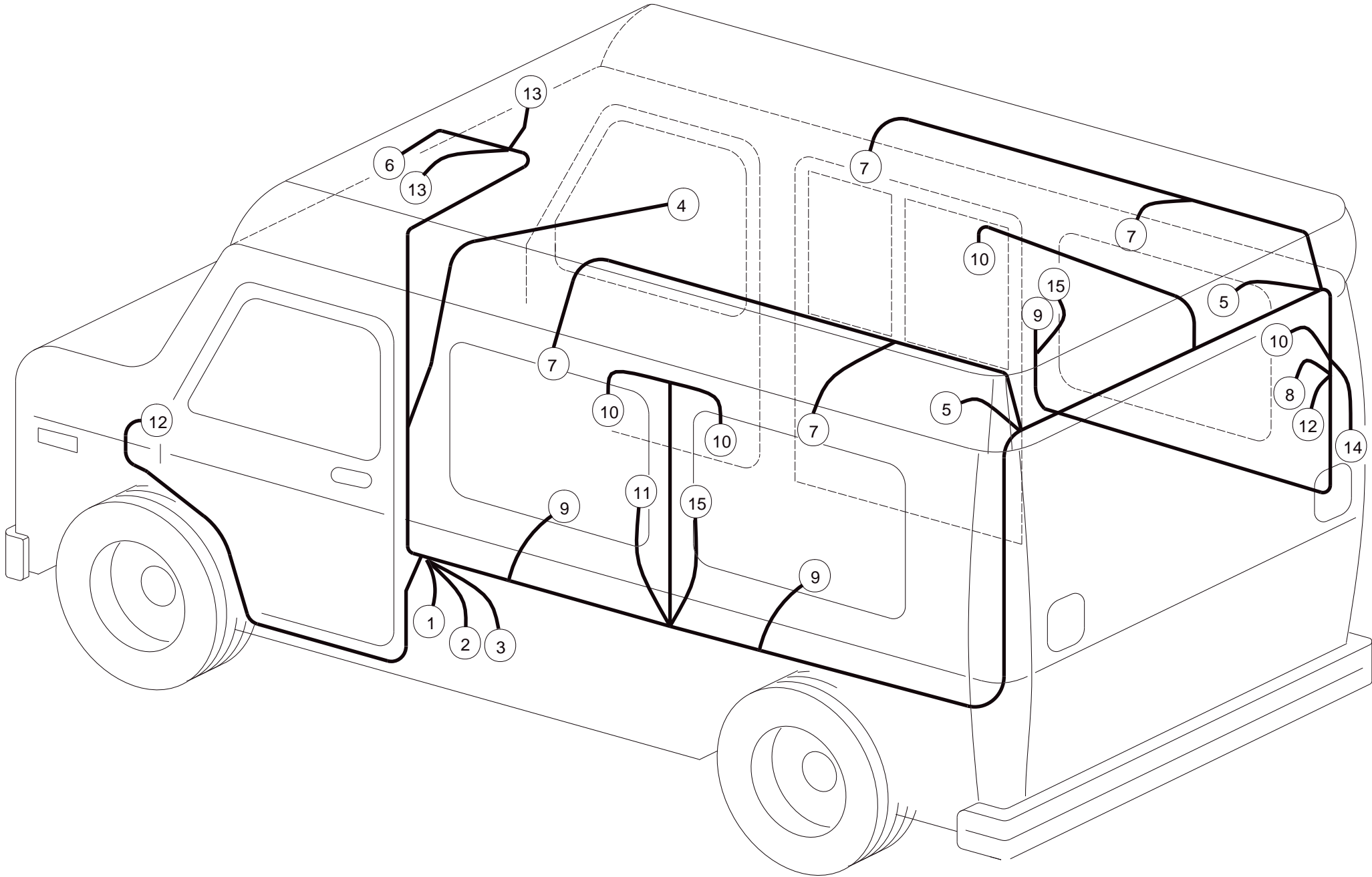


**1998/1999 GM ASTRO
REGAL
EDITION**

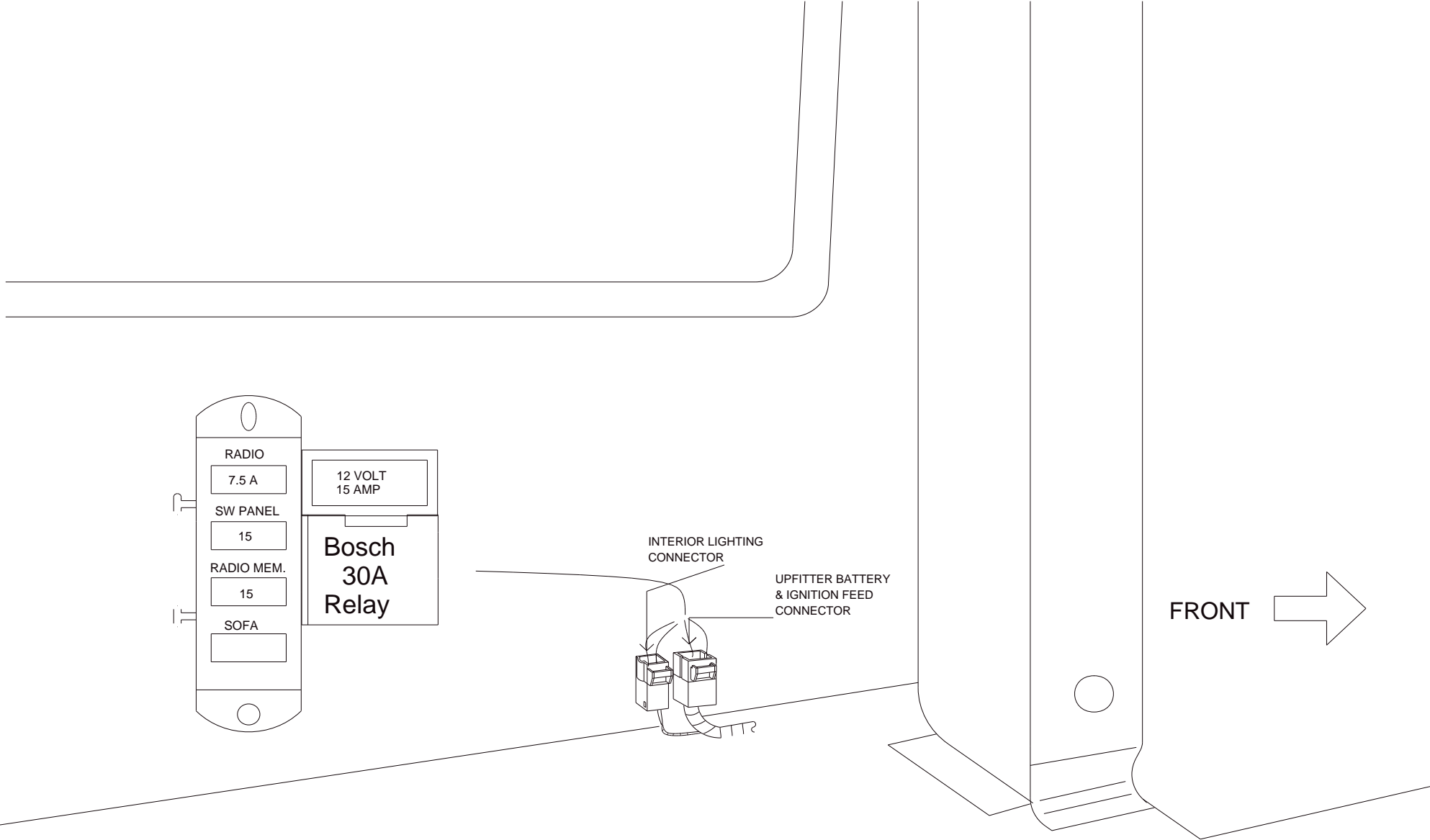
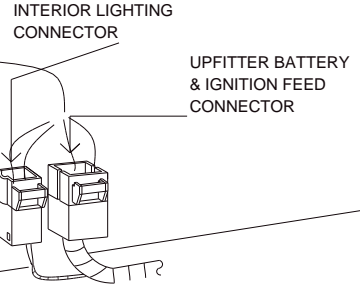
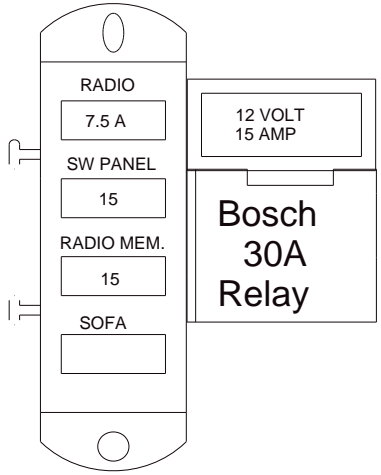
GM
ASTRO REGAL EDITION
LOW TOP



GM
ASTRO REGAL EDITION
HIGH TOP



CHASSIS MANUFACTURER: GM		MODEL YEAR: 1999		HARNESS PART #: 203-99		MODEL USAGE: ASTRO REGAL	
CK#	CIRCUIT ITEMS	ITEM	QTY	WIRE SIZE/COLOR	POWER SOURCE	AMP DRAW	FUSE SIZE & LOCATION
1	FUSEBLOCK		1		OEM		
		1		18 YELLOW		1.0	7.5 AMP/"B" PILLAR
		2		14 RED/WHITE		9.0	15 AMP/ "B" PILLAR
		3		14 RED		12.4	15 AMP/ "B" PILLAR
		4		18 WHITE		.5	5 AMP/"B" PILLAR
		5		18 ORANGE			
		6		18 ORANGE/WHITE			
		7		18 BLUE/BLACK			
		8		14 BLACK	GROUND		-----/"B" PILLAR
2	STEREO		1		FUSEBLOCK		
		1	3	18 YELLOW		.5	
		2		18 BLACK			
		3		18 WHITE		.5	
3	COURTESY TAP		1		OEM		
		1		18 ORANGE			
		2		18 WHITE/ORANGE			
4	TV		1		SWITCH PANEL	3.4	
		1		16 PURPLE			
		2		16 BLACK			
		3		18 GRAY			
		4		18 GRAY/BLACK			
5	COURTESY		2		COURTESY TAP	4.4	
		1		18 BLUE/BLACK			
		2		18 BLACK			
6	SWITCH PANEL		1		FUSEBLOCK	12.4	
		1		14 RED			
		2		18 BLACK			
		3		16 BROWN			
		4		16 GREEN			
		5		16 PURPLE			
		6		16 BLUE			



**1998 DODGE
CARAVAN VOYAGER
EDITION**

CHASSIS MANUFACTURER:

DODGE

MODEL YEAR:

1998/1999

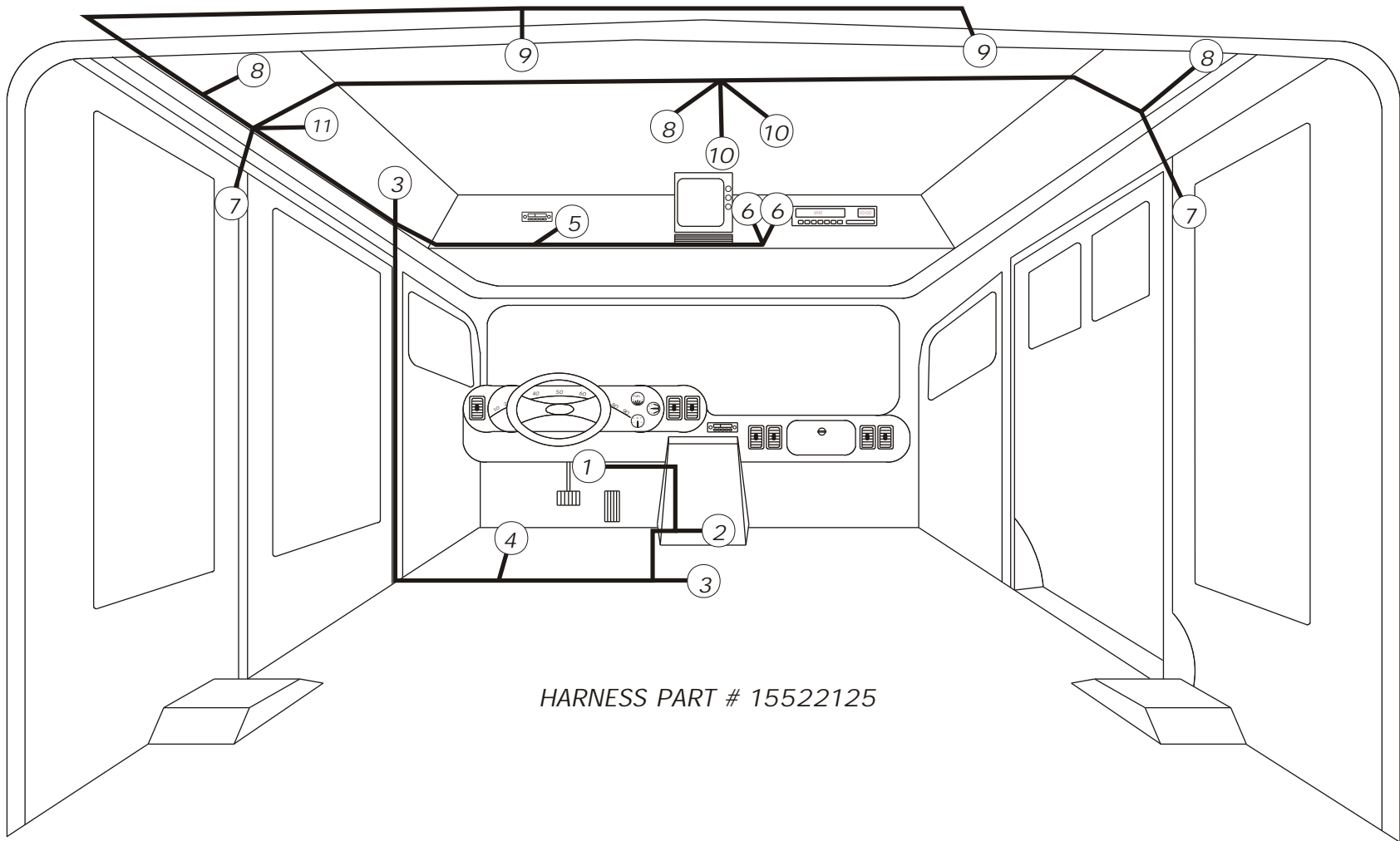
**VEHICLE
ELECTRICAL
LAYOUT**

VEHICLE TYPE:

CARAVAN/VOYAGER

COMPLETED VEHICLE DESCRIPTION:

MINI VAN



HARNESS PART # 15522125

CHASIS MANUFACTURER:

DODGE

VEHICLE TYPE:

CARAVAN/VOYAGER

MODEL YEAR:

1997/1998

COMPLETED VEHICLE DESCRIPTION:

MINI VAN

CKT. #	CIRCUIT ITEMS	GUAGE	WIRE COLOR	POWER SOURCE	ACTUAL AMPS	FUSE SIZE
1	IGNITION SIGNAL	18 TEW	YELLOW	IGNITION	-	
2	CONSOLE SWITCH	18 TEW	BRN,ORN,GRN,ORN/GRN, PUR,YEL/RED,BLACK	IGNITION	.104 AMP	
3	CD PLAYER	18 TEW	ORANGE, RED	IGNITION & BATTERY	2 AMP	
4	BATTERY HOOK-UP FUSES	12 TEW 18 TEW	RED RED, ORANGE	BATTERY IGNITION & BATTERY	-	7.5 BAT/15 IGN
5	REAR RADIO	18 TEW	RED, ORANGE GRAY/RED, BLUE/YELLOW	IGNITION & BATTERY	1.7 AMP	
6	TV/VCP	18 TEW	PURPLE	IGNITION (SWITCHED)	3.2 AMP	
7	HEADPHONE STATION	18 TEW	GRY/RED, BLU/YEL, YEL/RED, YEL/BLK, PINK	REAR RADIO	-	
8	INDIRECT LIGHT	18 TEW	BROWN	IGNITION (SWITCHED)	.75 AMP	
9	TV XTERNAL SPEAKER	18 TEW	ORN/GRN, YEL/BLACK	TV (SWITCHED) SERIES	-	
10	UNITEC LIGHT	18 TEW	GREEN, WHITE	IGNITION (SWITCHED), CTSY	1.5 AMP	
11	COURTESY HOOK-UP	18 TEW	WHITE	DOOR PIN	-	

TOTAL
14.5 AMP

FINAL STAGE MANUFACTUREER:

MARK III

HARNES PART #: 15522125

**1997/1998 FORD
WINDSTAR
EDITION**

CHASSIS MANUFACTURER:

FORD

MODEL YEAR:

1997, 1998

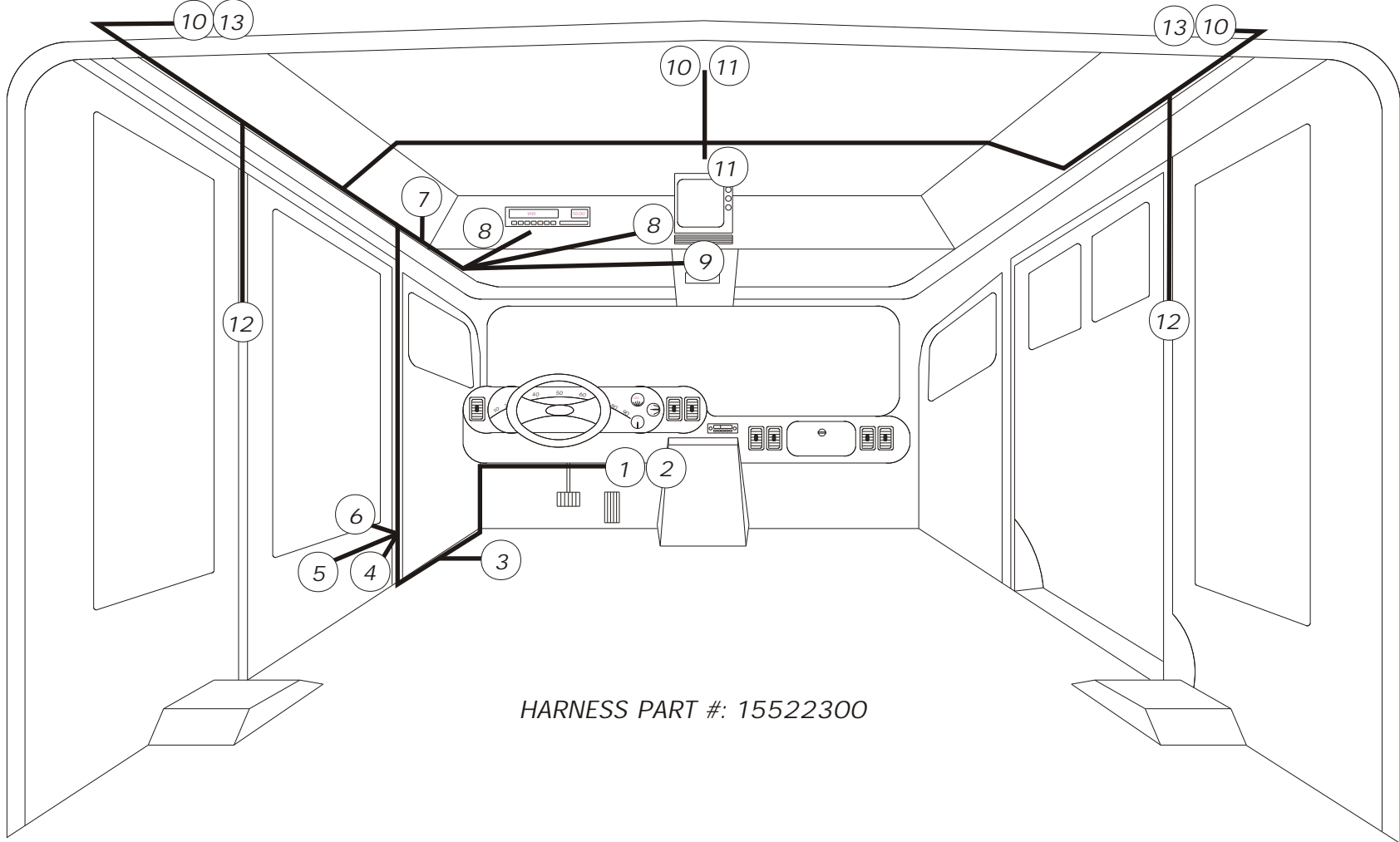
**VEHICLE
ELECTRICAL
LAYOUT**

VEHICLE TYPE:

WINDSTAR

COMPLETED VEHICLE DESCRIPTION:

MINI VAN



HARNESS PART #: 15522300

CHASIS MANUFACTURER:

FORD

VEHICLE TYPE:

WINDSTAR

MODEL YEAR:

1997/1998

COMPLETED VEHICLE DESCRIPTION:

MINI VAN

CKT. #	CIRCUIT ITEMS	GUAGE	WIRE COLOR	POWER SOURCE	ACTUAL AMPS	FUSE SIZE
1	IGNITION SIGNAL	18 TEW	YELLOW	IGNITION		
2	CD PLAYER POWER BOX	18 TEW	RED, ORANGE/WHITE	IGNITION & BATTERY	3 AMP	
3	BATTERY HOOK-UP	12 TEW	RED	BATTERY	--	
4	NOISE CHOKE	18 TEW	WHITE/PURPLE, PURPLE	IGNITION (SWITCHED)	SEE CKT. 8 & 5	
5	GAME READY	18 TEW	PURPLE	IGNITION (SWITCHED)	.4 AMP	
6	FUSE/RELAY LOCATION	18,12 TEW	RED, YELLOW, ORANGE/WHITE	IGNITION & BATTERY	--	15/15 AMP
7	COURTESY HOOK-UP	18 TEW	WHITE	DOOR PIN	--	
8	TV/VCP	18 TEW	PURPLE	IGNITION (SWITCHED)	3.5 AMP	
9	CONSOLE SWITCH	18 TEW	OWN, ORANGE/WHITE, ORANG ORN/GRN, WHT/PUR, YEL/RED	IGNITION	.903 AMP	
10	INDIRECT LIGHT	18 TEW	BROWN	IGNITION (SWITCHED)	1.6 AMP	
11	UNITEC LIGHT	18 TEW	ORANGE, WHITE	IGNITION (SWITCHED), DOOR PIN	2.8 AMP	
12	HEADPHONE STATION	18 TEW	YEL/RED, YEL/BLK	TELEVISION (CKT. 8 SWITCHED)	--	
13	TV SPEAKER (SERIES)	18 TEW	ORN/GRN, (BLU/YEL,) YEL/BLK	TELEVISION (CKT. 8 SWITCHED)	--	
					TOTAL	15 AMP BATTERY
					18.203 AMP	15 AMP IGNITION

FINAL STAGE MANUFACTUREER:

MARK III

HARNES PART #: 15522300

**1999 FORD WINDSTAR
1999 CARAVAN/VOYAGER
EDITION**

CHASSIS MANUFACTURER:

VEHICLE TYPE:

DODGE/PLYMOUTH/FORD

VEHICLE ELECTRICAL LAYOUT

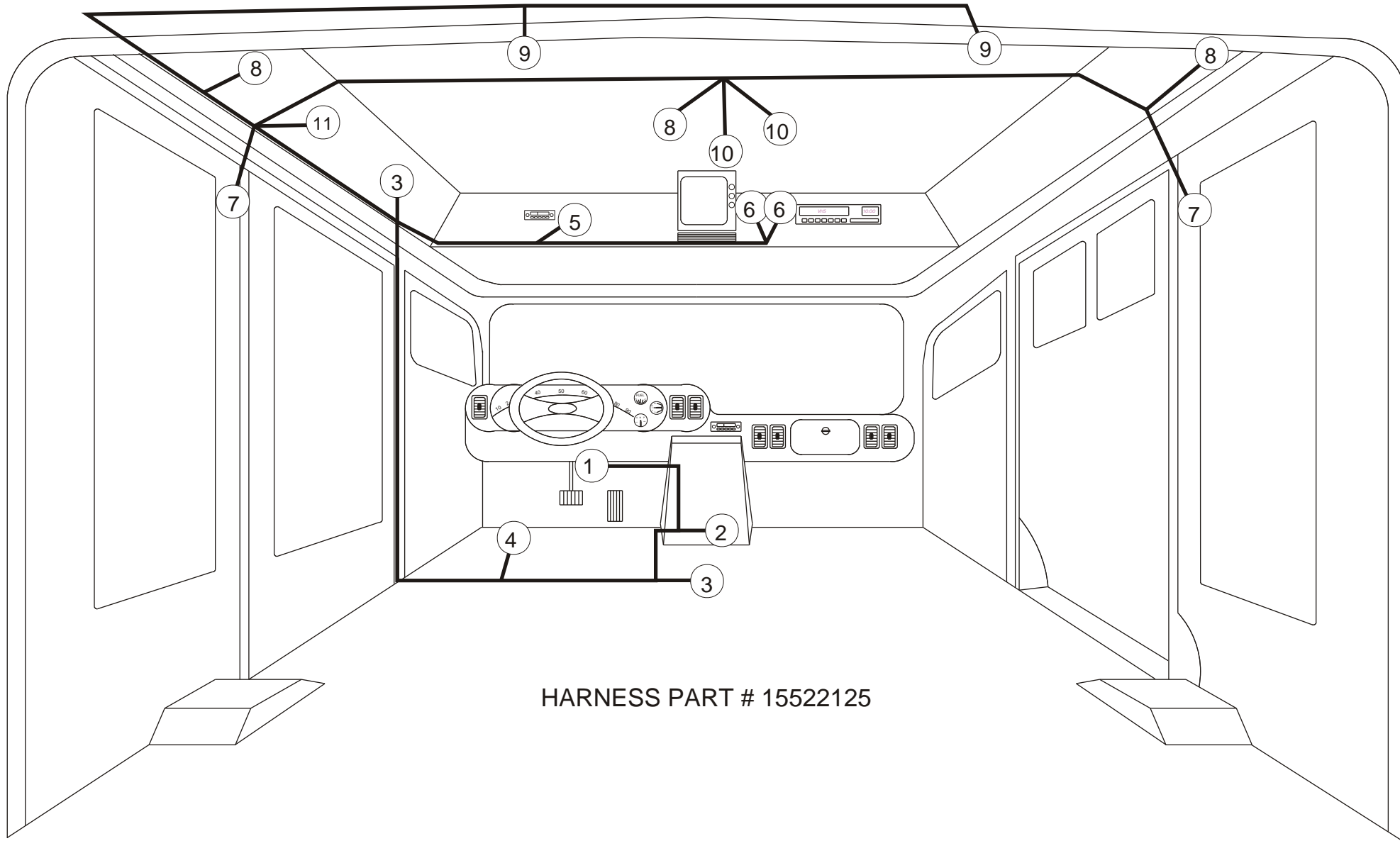
CARAVAN/VOYAGER/WINDSTAR

MODEL YEAR:

COMPLETED VEHICLE DESCRIPTION:

1999

MINI VAN



HARNES PART # 15522125

CHASIS MANUFACTURER: DODGE/PLYMOUTH/ FORD	VEHICLE TYPE: CARAVAN/VOYAGER/WIND STAR
--	--

MODEL YEAR: 1999	COMPLETED VEHICLE DESCRIPTION: MINI VAN
----------------------------	--

CKT. #	CIRCUIT ITEMS	GUAGE	WIRE COLOR	POWER SOURCE	ACTUAL AMPS	FUSE SIZE
1	IGNITION SICNAL	18 TEW	YELLOW	IGNITION	-	
2	CONSOLE SWITCH	18 TEW	BRN,ORN,GRN,ORN/GRN PUR,YEL/RED,BLACK	IGNITION	.104 AMP	
3	CD PLAYER	18 TEW	ORANGE, RED	IGNITION & BATTERY	2 AMP	
4	BATTERY HOOK-UP	12 TEW	RED	BATTERY	-	
	FUSES	18 TEW	RED, ORANGE	IGNITION & BATTERY	-	7.5 BAT/15 IGN
5	REAR RADIO	18 TEW	RED, ORANGE	IGNITION & BATTERY	1.7 AMP	
			GRAY/RED, BLUE/YELLOW			
6	TV/VCP	18 TEW	PURPLE	IGNITION (SWITCHED)	3.2 AMP	
7	HEADPHONE STATION	18 TEW	GRY/RED, BLU/YEL, YEL/RED, YEL/BLK, PINK	REAR RADIO	-	
8	INDIRECT LIGHT	18 TEW	BROWN	IGNITION (SWITCHED)	.75 AMP	
9	TV XTERNAL SPEAKER	18 TEW	ORN/GRN, YEL/BLACK	TV (SWITCHED) SERIES	-	
10	UNITEC LIGHT	18 TEW	GREEN, WHITE	IGNITION (SWITCHED), CTSY	1.5 AMP	
11	COURTESY HOOK-UP	18 TEW	WHITE	DOOR PIN	-	
					TOTAL	
					14.5 AMP	

FINAL STAGE MANUFACTUREER: MARK III	HARNESS PART #: 15522125
--	------------------------------------

**1998/1999 CHEVY/GMC
PICKUP
WITH AMP**

CUSTOMER

TIARA

YEAR:

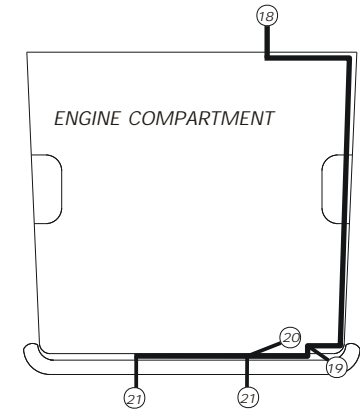
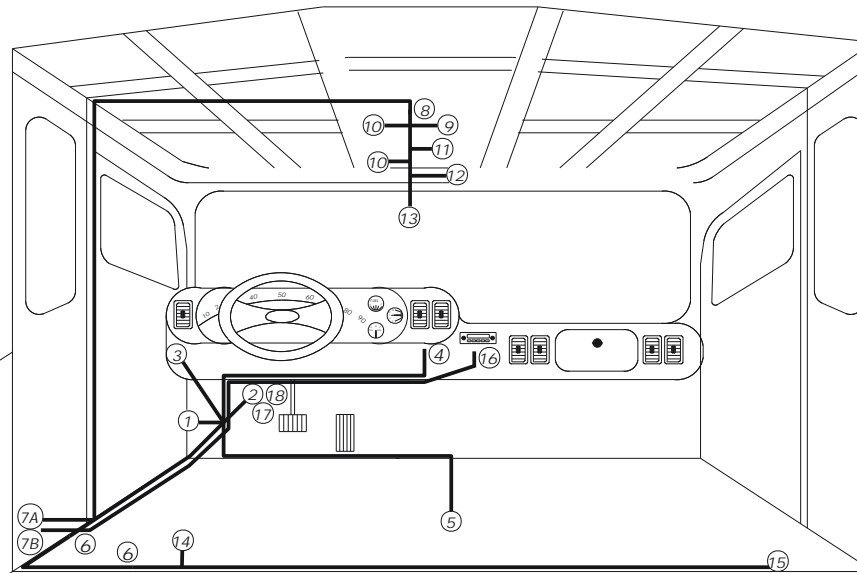
1998/1999

DESCRIPTION:

PICK-UP

TYPE:

CHEVY/GMC CK



HARNESS # 21270031 CIR: 1-7A, 8
 HARNESS # 21270032 CIR: 17-21
 HARNESS # 21270035 CIR: 16
 HARNESS # 21270036 CIR: 7B
 HARNESS # 21270037 CIR: 9-13
 HARNESS # 21270039
 HARNESS # 21270040 CIR 14-15

CIR	DESCRIPTION	DRAW	WIRE COLORS	GAUGE	CIR	DESCRIPTION	DRAW	WIRE COLORS	GAUGE
1	FUSE BLOCK		ORANGE,RED,BLUE,BLACK	14 & 18	17	FOG LIGHT/LOWBEAM RELAY	.03	GREEN,WHT/RED,BLACK,ORANGE,WHITE	14 & 18
2	FOGLIGHT H-UP		GREEN,WHT/RED,BLACK,ORANGE	14 & 18	18	FOG LIGHT PASS-THRU		GREEN,WHITE	14 & 18
3	KEYLESS ENTRY POWER	.025	RED,BLACK,ORANGE	18	19	LOW BEAM TAP		GREEN,BLACK	18
4	BLUAPUNKT CD POWER	1.3	RED,ORANGE	18	20	FOG LIGHT GROUND		BLACK	14
5	THERMOTRONIX	3.5	ORANGE,BLACK	18	21	FOG LIGHT	4.58	WHITE, BLACK	14
6	REAR WINDOW CONNECTION		BLUE,YEL/WHT,RED/BLK,BLACK	14 & 18					
7A	AMPLIFIER	7(RMS)	RED,BLACK	18					
7B	AMPLIFIER		BROWN,YELLOW,BLUE,WHITE,ORN/GRN,GRN/YEL,WHT/RED,RED/BLK	18					
8	CONSOLE CONNECTION		GREEN,BLACK,ORANGE,YEL/WHT,RED/BLK,WHT/RED	14 & 18					
9	COURTESY TAP		ORANGE/WHITE,WHITE	18					
10	UNITEC LIGHT	1.5	ORANGE/WHITE,WHITE,BLACK	18					
11	MOOD LIGHT	.5	BROWN,BLACK	18					
12	RADAR DETECTOR	.3	BROWN,BLACK	18					
13	SWITCH PANEL	.04	GREEN,WHT/RED,YEL/WHT,RED/BLK,ORANGE,BLACK,BROWN	18					
14	WINDOW RELAYS	.06	YELLOW,YEL/WHT,BLACK,BLUE,RED,RED/BLK	14 & 18					
15	WINDOW SLIDER MOTOR	12.75	YELLOW,RED	14					
16	AUDIO/SIGNAL TAP		RED,BROWN,YELLOW,BLUE,WHITE,ORN/GRN,GRN/YEL,WHT/RED,RED/BLK	18					

1998/1999 CHEVY/GMC

1998/1999 FORD

1998/1999 DODGE

PICKUP

CHASSIS MANUFACTURER:

FORD, GM, DODGE

MODEL YEAR:

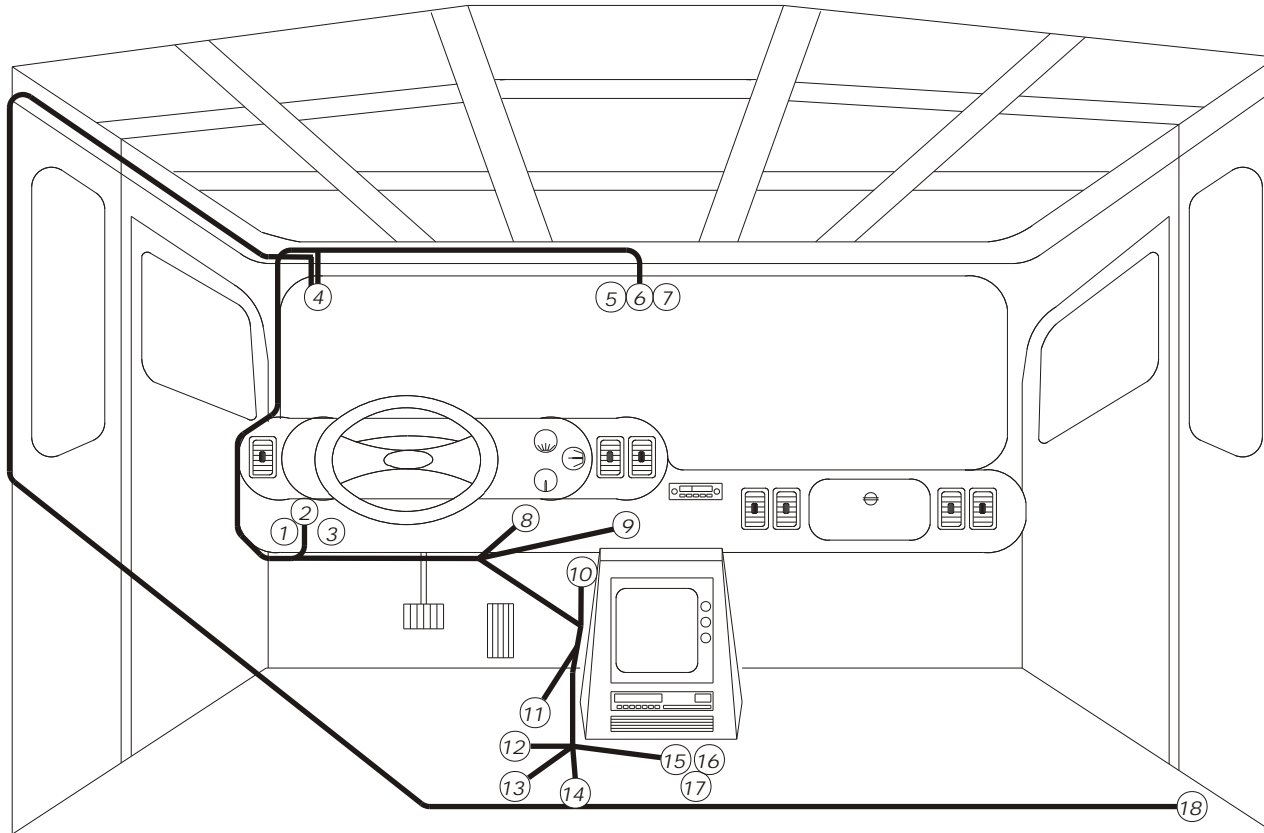
1997/1998/1999

VEHICLE ELECTRICAL LAYOUT

VEHICLE TYPE:

PICK-UP

COMPLETED VEHICLE DESCRIPTION:



MODULAR PICK-UP HARNESS

PART #: 15521500

DUALY PICK-UP PIGTAIL

PART #: 15521520

CREW CAB PICK-UP PIGTAIL

PART #: 15521521

REAR WINDOW SLIDER

PICK-UP PIGTAIL

PART #: 15521524

CHASIS MANUFACTURER:**FORD, GM, DODGE****MODEL YEAR:****1997/1998/1999****VEHICLE TYPE:****PICK-UP****COMPLETED VEHICLE DESCRIPTION:**

CKT. #	CIRCUIT ITEMS	GUAGE	WIRE COLOR	POWER SOURCE	ACTUAL AMPS	FUSE SIZE
1	POWER TAP/FUES BLOCK	18, 14 TEW	ORANGE, ORANGE/WHITE, RED/BLACK, BLACK	IGNITION & BATTERY	—	7.5, 30, 20 AMP
2	SUN ROOF CONNECTION	14 TEW	ORANGE/WHITE, BLACK	IGNITION	—	
3	LOWER CONSOLE POWR	18, 14 TEW	RED/BLACK, ORANGE, BLK	IGNITION & BATTERY	—	
4	REAR SLIDER TAP	14 TEW	RED, YELLOW	IGNITION	—	
5	AIR DAM SWITCH POWER	14 TEW	ORANGE, BLACK	IGNITION	8.6 AMP	
6	BRUSH GUARD SWITCH	14 TEW	ORANGE, BLACK	IGNITION	8.6 AMP	
7	REAR SLIDER SWITCH	14 TEW	RED, YELLOW, ORN, BLK	IGNITION	—	
8	CB HOOK-UP	18 TEW	ORANGE, BLACK	IGNITION	1.9 AMP	
9	CONSOLE SWITCH OPT.	14 TEW	ORANGE, BLACK	IGNITION	—	
10	CELLULAR PHONE	18 TEW	RED/BLACK, BLACK	BATTERY	—	
11	CB HOOK-UP (OPT.)	14 TEW	ORANGE, BLACK	IGNITION	—	
12	CELLULAR PHONE	18 TEW	RED/BLACK, BLACK	BATTERY	.4 AMP	
13	THERMOTRONIX	18 TEW	ORANGE, BLACK	IGNITION	5 AMP	
14	FLASHLIGHT	18 TEW	ORANGE, BLACK	IGNITION	.3 AMP	
15	TELEVISION	18 TEW	ORANGE, BLACK	IGNITION	2 AMP	
16	VCP	18 TEW	ORANGE, BLACK	IGNITION	1 AMP	
17	GAME READY	18 TEW	ORANGE, BLACK	IGNITION	1 AMP	
18	REAR WINDOW SLIDER	14 TEW	RED, YELLOW	SWITCHED IGNITION	7 AMP	

HARNES PART #'s: 15521500, 15521520, 15521521, 15521524

**1997/1998/1999 CHEVY/GMC
SUBURBAN**

CHASIS MANUFACTURER:

CHEVROLET/GMC

MODEL YEAR:

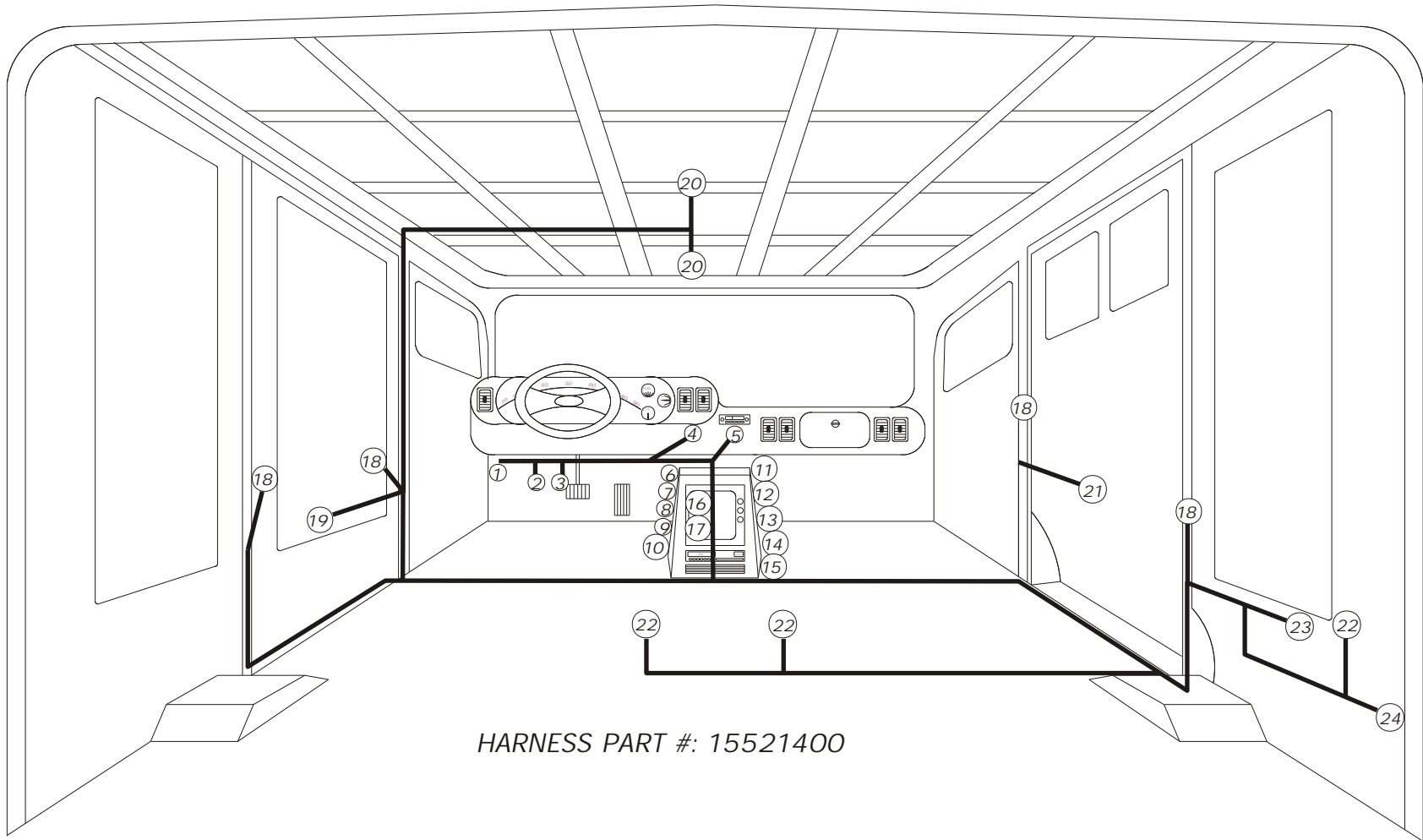
1997/1998/1999

VEHICLE
ELECTRICAL
LAYOUT

VEHICLE TYPE:

SUBURBAN

COMPLETED VEHICLE DESCRIPTION:



HARNESS PART #: 15521400

CHASIS MANUFACTURER:**CHEVY/GMC****VEHICLE TYPE:****SUBURBAN****MODEL YEAR:****1997/1998/1999****COMPLETED VEHICLE DESCRIPTION:**

CKT. #	CIRCUIT ITEMS	GUAGE	WIRE COLOR	POWER SOURCE	ACTUAL AMPS	FUSE SIZE
1	POWER-UP CONNECTION	12 TEW	RED, ORANGE	IGNITION & BATTERY	—	
2	POWER INPUT FUSING	12 TEW	RED, ORANGE	IGNITION & BATTERY	—	20 IGN/20 BAT
3	FOGLIGHT HOOK-UP	18 TEW	WHITE/BLUE	IGNITION	—	7.5 AMP
4	COURTESY HOOK-UP	18 TEW	ORANGE, WHITE	DOOR PIN	—	
5	FRONT RADIO	18 TEW	YEL/WHT, BRN/WHT, BLU/WHT, BLK/BLU, RED/BLK, WHT/RED, GRN/YEL, ORN/GRN		OEM RADIO	—
6	AMPLIFIER	18 TEW	RED, WHT/BLK, BLACK BLU/BLK, GRN/BLK, BLUE, BLU/GRN, RED/BLK, WHT/RED GRN/YEL, ORN/GRN	IGNITION, BATTERY, OEM RADIO	2 AMP	10/20 AMP
7	FUSE BLOCK	18, 14, 12 TEW	RED, BRN,WHT/ORN, ORN, WHT/BLU, PUR, WHT, BLK,	IGNITION & BATTERY	—	
8	IPX CONTROL SIGNAL	18 TEW	ORN/WHT, WHT/PUR, BLK/WHT	IGNITION	—	
9	HARNESS GROUND	12 TEW	BLACK	CHASIS GROUND	—	
10	FLASHLIGHT	18 TEW	RED, BLACK	BATTERY	.03 AMP	10 AMP
11	CONSOLE SWITCH	18 TEW	ORN/WHT, WHT/PUR, PINK, BLACK/WHITE	IGNITION	.07 AMP	1 AMP
12	SPEAKER CONTROL	18 TEW	YEL/BLK, YEL/RED, ORN/WHT, PUR, PINK, WHT/BLK, BLACK BLUE, BLU/WHT, BLU/GRN, BLK/BLU, BRN/WHT, YEL/WHT	IGNITION, BATTERY, OEM RADIO		—

HARNES PART #: 15521400

CHASIS MANUFACTURER:
CHEVY
MODEL YEAR:
1997

VEHICLE TYPE:
SUBURBAN
COMPLETED VEHICLE DESCRIPTION:

CKT. #	CIRCUIT ITEMS	GUAGE	WIRE COLOR	POWER SOURCE	ACTUAL AMPS	FUSE SIZE
13	ANTENNA AMP	18 TEW	ORANGE, BLACK	IGNITION	—	
14	BEVERAGE MATE	18 TEW	ORANGE, BLACK	IGNITION	7.5 AMP	20 AMP
15	VIDIO CASSETTE PLAYER	18 TEW	PURPLE, BLACK	IGNITION	1.0 AMP	7.5 AMP
16	TELEVISION	18 TEW	PUR, BLK, YEL/RED, YEL/BLK	IGNITION	3.5 AMP	7.5 AMP
17	TV EXTERNAL SPEAKER	18 TEW	YEL/RED, YEL/BLK	TELEVISION	—	
18	HEADPHONE STATION	18 TEW	ORN/WHT, YEL/RED, GRY/RED, YEL/BLACK BLUE/YEL	IGNITION, REAR RADIO, TV	.0 3 AMP	1 AMP
19	LEFT SPEAKER	18 TEW	ORN/GRN, GRN/YEL	FRONT RADIO	—	
20	CENTER BEAM LIGHT	18 TEW	WHITE/ORANGE, BLACK	IGNITION	1.3 AMP	7.5 AMP
21	RIGHT SPEAKER	18 TEW	WHT/RED, RED/BLK	FRONT RADIO	—	
22	INDIRECT LIGHTS	18 TEW	BROWN, BLACK	IGNITION	1.3 AMP	7.5 AMP
23	REAR RADIO	18 TEW	RED, ORANGE, BLACK BLUE/YEL, GRAY/RED	IGNITION & BATTERY	.8 AMP	10/20 AMP
24	12 VOLT OUTLET	18 TEW	RED, BLACK	BATTERY	6 AMP	10 AMP

HARNESS PART #: 15521400

**1999 CHEVY/GMC
SUBURBAN
EDITION**

CHASSIS MANUFACTURER:

CHEVROLET/GMC

MODEL YEAR:

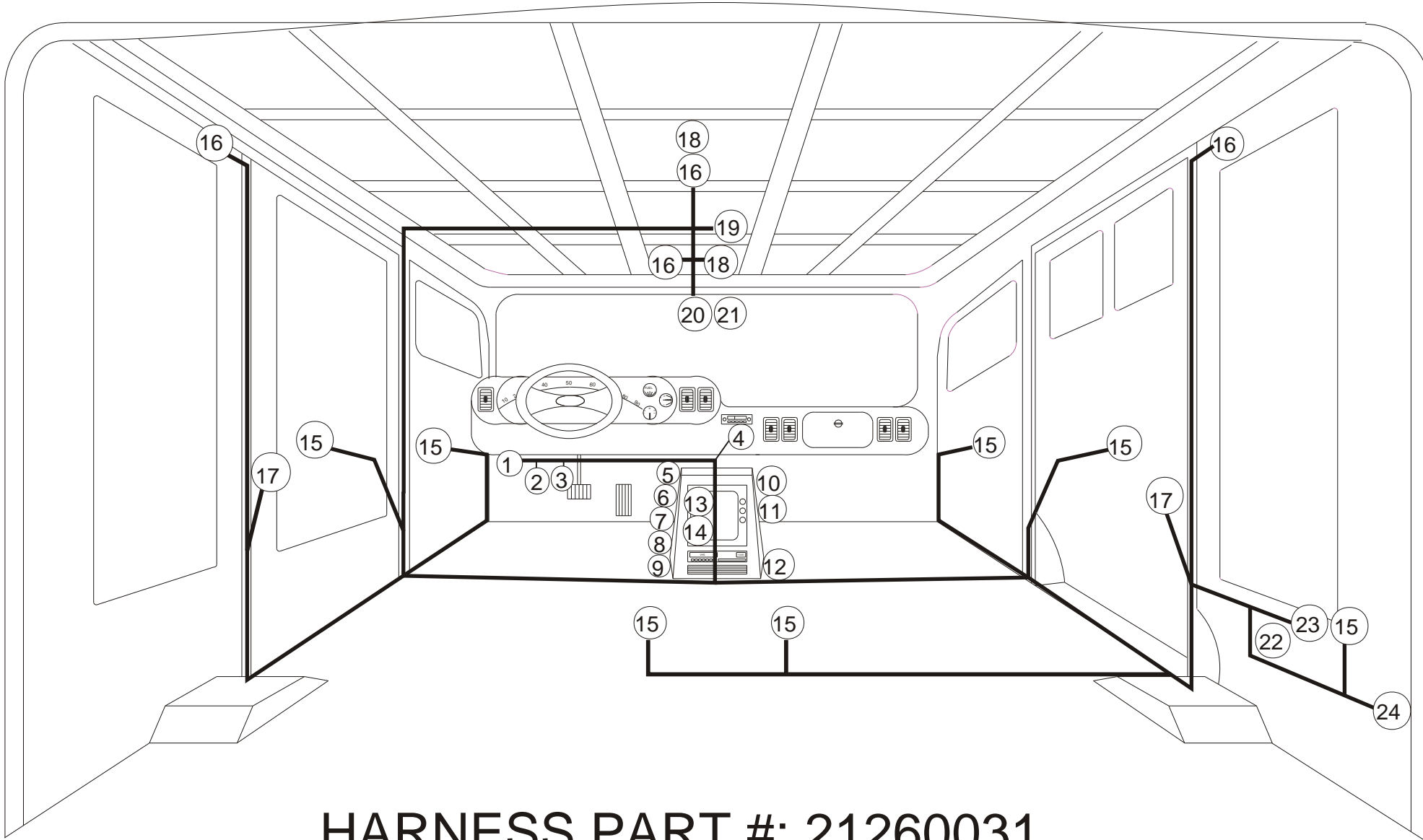
1999

VEHICLE
ELECTRICAL
LAYOUT

VEHICLE TYPE:

SUBURBAN

COMPLETED VEHICLE DESCRIPTION:



HARNESS PART #: 21260031

CHASIS MANUFACTURER:

GMC

VEHICLE TYPE:

SUBURBAN

MODEL YEAR:

1999

COMPLETED VEHICLE DESCRIPTION:

CKT. #	CIRCUIT ITEMS	GUAG E	WIRE COLOR	POWER SOURCE	ACTUAL AMPS	FUSE SIZE
1	POWER-UP CONNECTION	12 TEW	RED, ORANGE	IGNITION & BATTERY	--	
2	POWER INPUT FUSING	12 TEW	RED, ORANGE	IGNITION & BATTERY	--	20 IGN/20 BAT
3	FOGLIGHT HOOK-UP	18 TEW	BLUE, BLACK	IGNITION	--	7.5 AMP
4	FACTORY RADIO	18 TEW	BRN, YEL, BLU, WHT, ORN/GRN	OEM RADIO	--	
			GRN/YEL, WHT/RED, RED/BLK			
5	AMPLIFIER	18 TEW	RED, WHT/BLK, BLACK	BAT, SPKR CONT, OEM RADIO	0.1	20/1 AMP
			BLU/BLK, GRN/BLK, YEL/WHT			
			BLU/GRN, RED/BLK, WHT/RED			
			GRN/YEL, ORN/GRN			
6	FUSE BLOCK	18, 14, 12 TEW	BRN, WHT/ORN, WHT, RED	IGNITION & BATTERY	--	
			ORN, ORN/BLK, BLU, PUR, GRN			
			GRY, BLACK			
7	IPX CONTROL SIGNAL	18 TEW	ORN/WHT, WHT/PUR, BLK/BLU	IGNITION	--	
8	HARNESS GROUND	12 TEW	BLACK	CHASIS GROUND	--	
			BLACK/WHITE			
9	SPEAKER CONTROL	18 TEW	YEL/BLK, YEL/RED, ORN/WHT, PUR, PINK, WHT/BLK, BLK/WHT, YEL/WHT, YEL, BLU/GRN, BRN, GRN/BLK, BLU/BLK, BLU, WHT	IGNITION, TV AUDIO, OEM RADIO	--	1 AMP
10	ANTENNA AMP	18 TEW	ORANGE, BLACK	IGNITION	VARIABLE	15 AMP
11	BEVERAGE MATE	18 TEW	ORANGE, BLACK	IGNITION	4.5 AMP	15 AMP
12	VIDIO CASSETTE PLAYER	18 TEW	PURPLE, BLACK	IGNITION	.75 AMP	7.5 AMP

13	TELEVISION	18 TEW	PUR, BLK, YEL/RED, YEL/BLK	IGNITION	1.5 AMP	7.5 AMP
14	TV EXTERNAL SPEAKER	18 TEW	YEL/RED, YEL/BLK	TELEVISION	--	
15	INDIRECT LIGHTS	18 TEW	BROWN, BLACK	IGNITION	7.5 AMP	10 AMP
16	INDIRECT LIGHTS	18 TEW	WHITE/ORANGE, BLACK	IGNITION	6.5 AMP	10 AMP
17	HEADPHONE STATION	18 TEW	ORN/WHT, YEL/RED, GRY/RED	IGNITION, REAR RADIO, TV	.05 AMP	20 AMP
			BLUE/YEL, YEL/BLACK			
18	MAP LIGHT	18 TEW	ORANGE, WHITE, BLACK	IGNITION, DOOR PIN	.64 AMP	15 AMP
19	COURTESY TAP	18 TEW	GREEN, GRAY	DOOR PIN	--	
20	SWITCH PANEL	18 TEW	ORN/WHT,WHT/PUR,BLK/BLU,PN K	FUSE BLOCK	.1 AMP	1 AMP
21	RADAR	18 TEW	ORANGE, BLACK	IGNITION	.4 AMP	15 AMP
22	ANTENNA FOR REAR RADIO	18 TEW	ORANGE	IGNITION	VARIABLE	15 AMP

23	REAR RADIO	18 TEW	RED, ORANGE/BLACK, BLACK	IGNITION & BATTERY	.4 AMP	15/20 AMP
			BLUE/YEL, GRAY/RED			
24	12 VOLT OUTLET	18 TEW	RED, BLACK	BATTERY	VARIABLE	20 AMP
					TOTAL	

FINAL STAGE MANUFACTUREER:

HARNES
PART #:
21260031