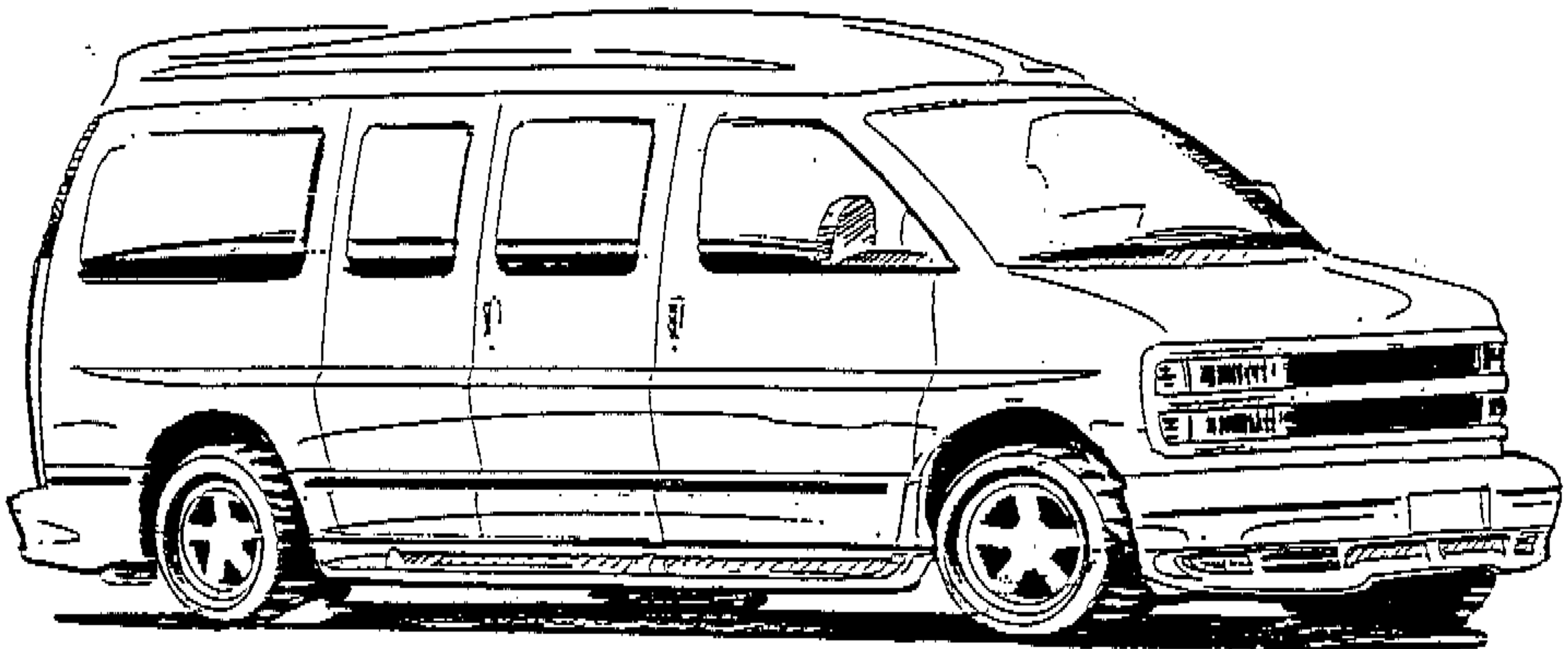


---

# CHEVROLET G-VAN/EIGHT PIECE/ PONY/ AND PONY W/PANELS INSTALLATION GUIDE

---



---

Chevrolet G-Van/Eight Piece/Pony/ and Pony W/Panels  
09I015  
Rev A

# EAST COAST AUTO TOYS

Chevrolet G-Van/Eight Piece/Pony/ and Pony W/ Panels Installation Guide

## LIST OF MATERIALS

- 3/8" POWER DRILL
- 1/4" DRILL BIT
- 1/8" DRILL BIT
- PHILIPS BIT
- 50/50 ALCOHOL/WATER MIX
- 320 -- 400 GRIT SANDPAPER
- DRUM SANDER
- FILE
- POP RIVET GUN

## PAINTING

For the best results, the surface must be free of grease or oils using the same careful preparation you would use to paint the vehicle. CAUTION: Exposure to harsh solvents such as Acetone, Lacer thinner, and some adhesive removers can do extensive damage to this product; therefore, we recommend Isopropyl alcohol for wiping down the parts. Your local paint supplier is the best consultant for choosing a coating for this product. In many cases, the same paint may be used on both the van and the GROUND EFFECTS. Check compatibility of your system and our super high impact ABS plastic with your paint supplier.

## -----IMPORTANT-----

Modifying or removing metal from a vehicle may set aside the original equipment manufacturer's warranty and liability; and may affect Federal Motor Vehicle Safety Standards for the model. Refer to the vehicle manufacturers van conversion guidelines prior to making alterations to the vehicle body and construction.

All statements, technical information, and suggestions contained herein are based on data we believe to be reliable, but the accuracy or completeness thereof is not guaranteed. Nothing herein shall constitute a warranty, either expressed or implied. It is the users responsibility to determine the suitability for his own use of the products manufactured by Viking Formed Components or any of its subsidiary

## PREPARATION

companies. The user assumes all risk and liability for the application of this product.

## STORAGE

Store unpainted parts in an area protected from sunlight and weathering. As with bare steel, oxidation occurs until exposed surfaces are painted.

## BEFORE INSTALLATION

CAUTION: Installation of GROUND EFFECTS should not be attempted until vehicle, parts and shop area are at least 70°F. This will provide the conditions necessary for maximum tape adhesion.

- 1) Remove dirt and grime from lower third of vehicle.
- 2) Wipe same area with (50/50) Alcohol/water mix and allow area to dry before installing parts.
- 3) Find the license plate screw inserts (usually found in a plastic bag in the chassis or included with the kit hardware) and insert them into the holes in the front or rear bumper.
- 4) Make underside of van safely accessible by use of a ramp or fail-safe lift.

**YOU ARE NOW READY TO INSTALL**

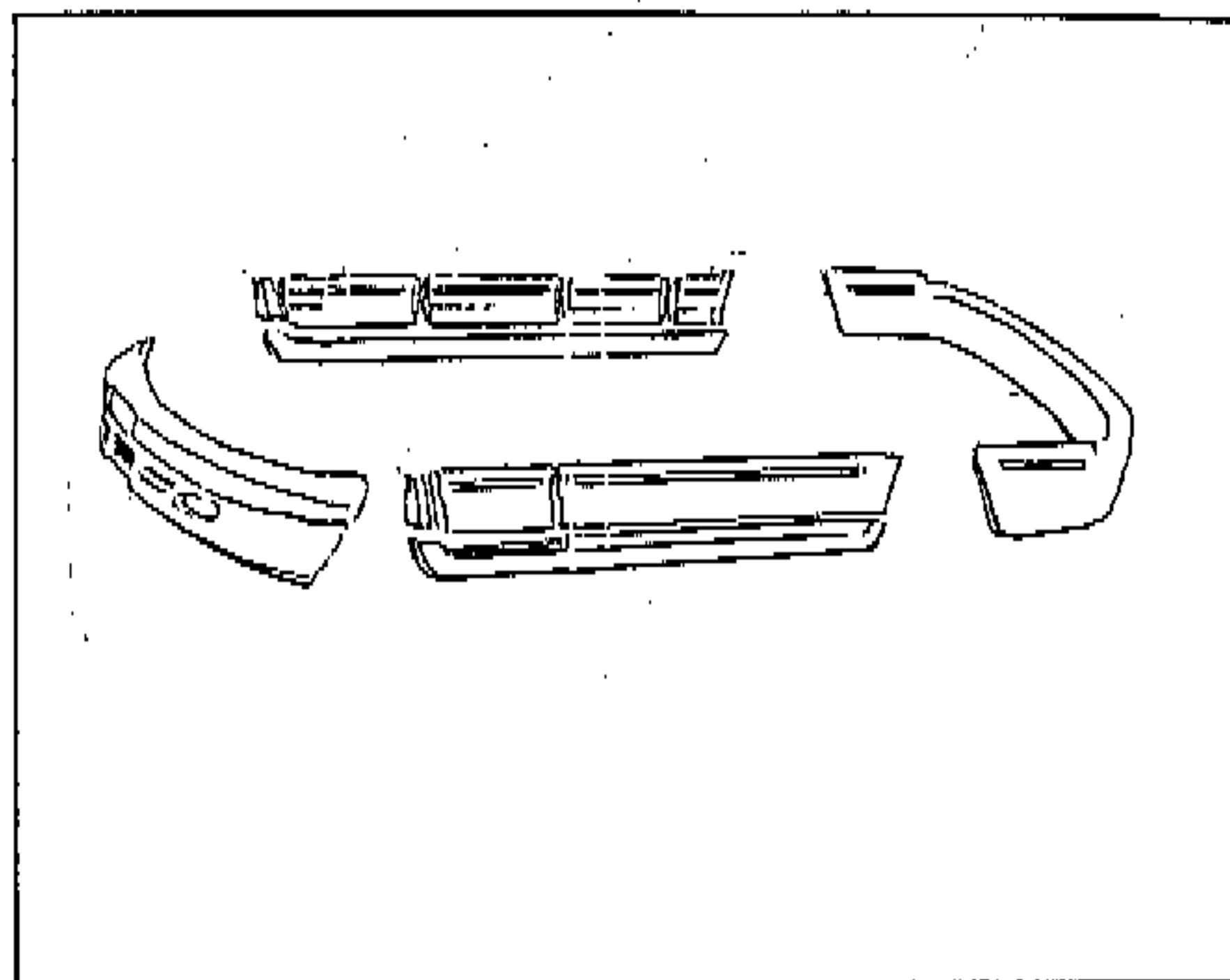
Chevrolet G-Van/Eight Piece/Pony/ and Pony W/Panels  
091015  
Rev. A

# EAST COAST AUTO TOYS

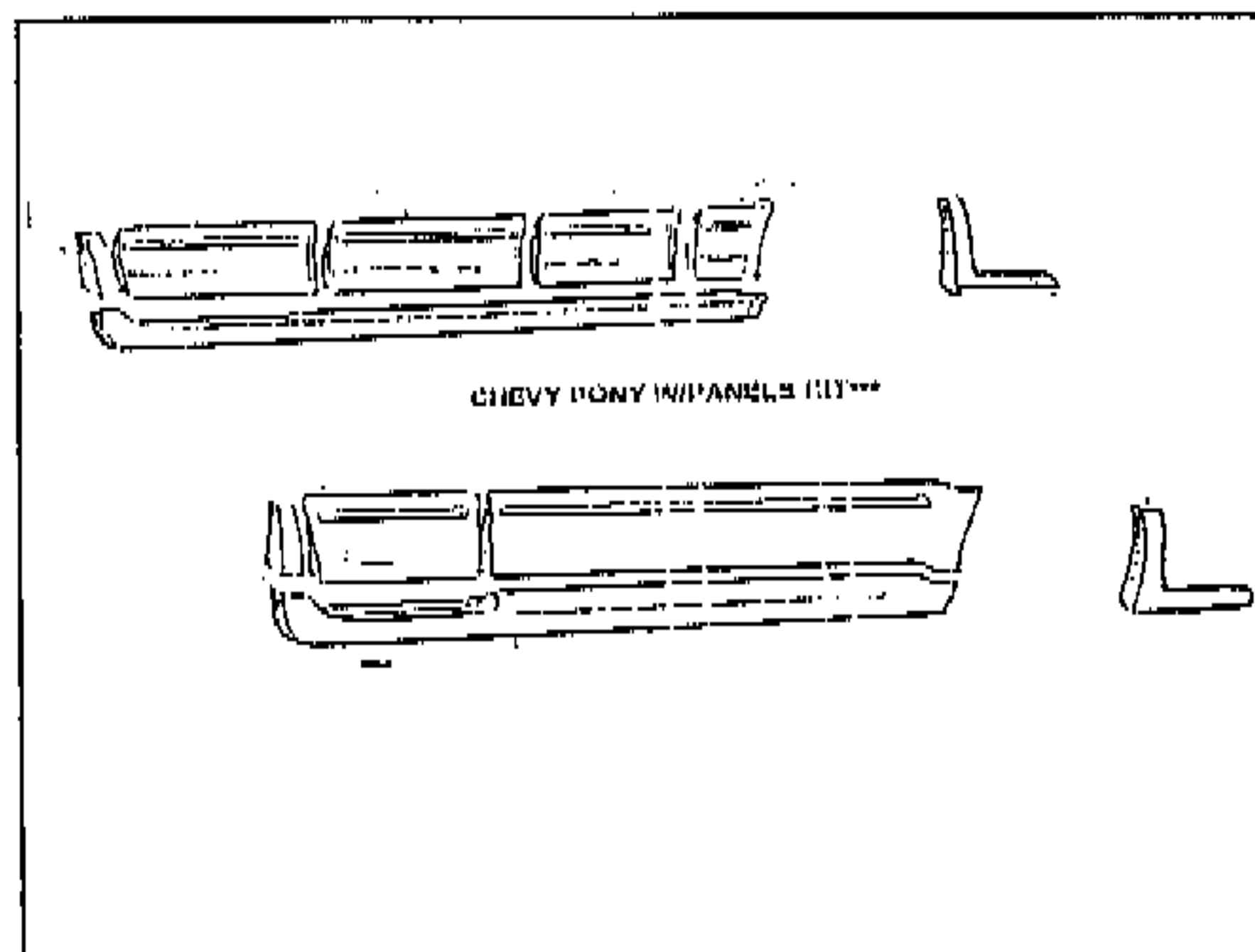
Chevrolet G-Van/Eight Piece/Pony/ and Pony W/Panels

STEP 1:  
CHECK SHIPPING LIST TO MAKE SURE  
YOU HAVE RECEIVED ALL OF THE  
COMPONENTS THAT WERE ORDERED.

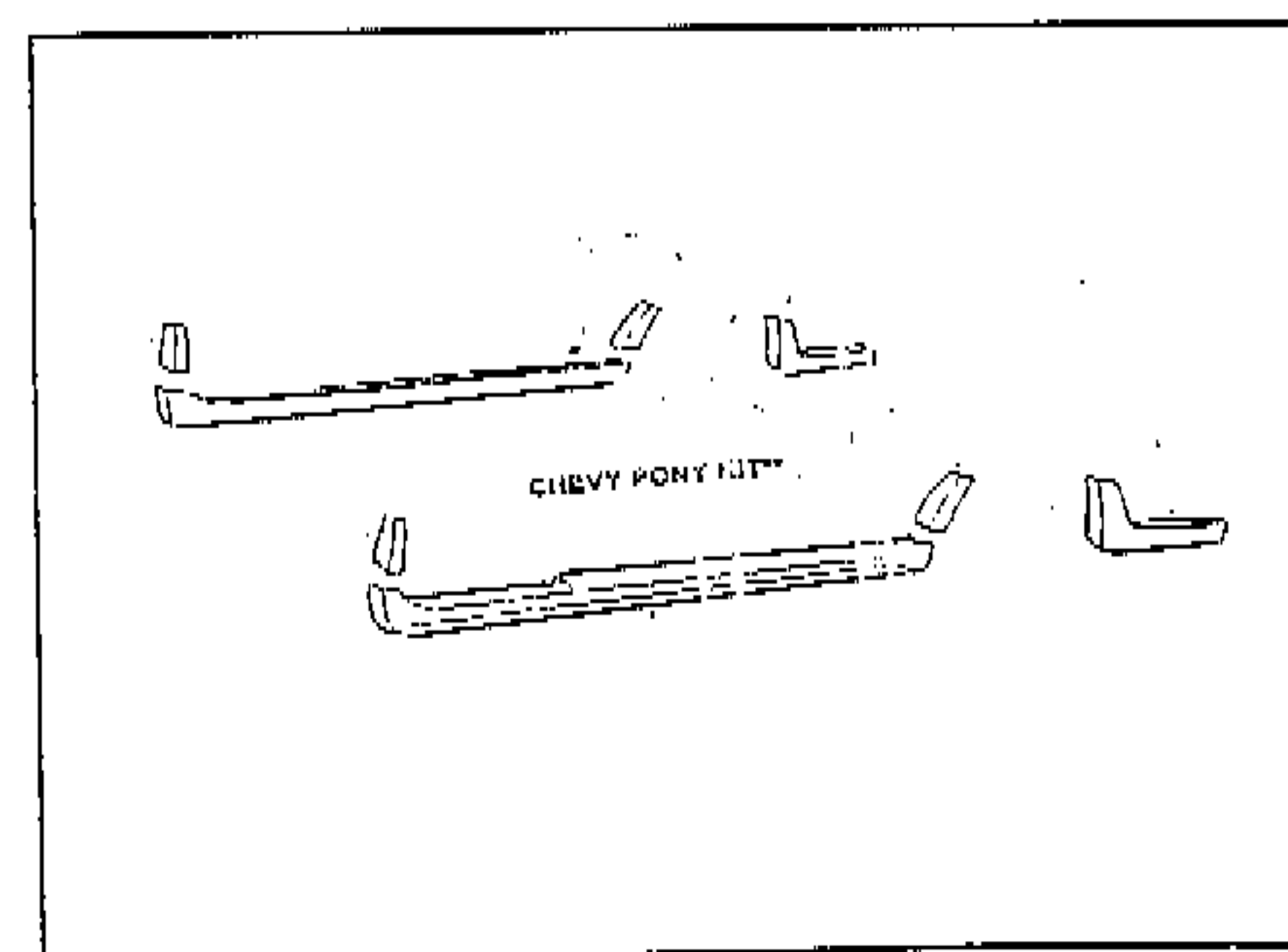
'97 CHEVY G.E. KIT



'97 CHEVY PONY WITH PANELS KIT



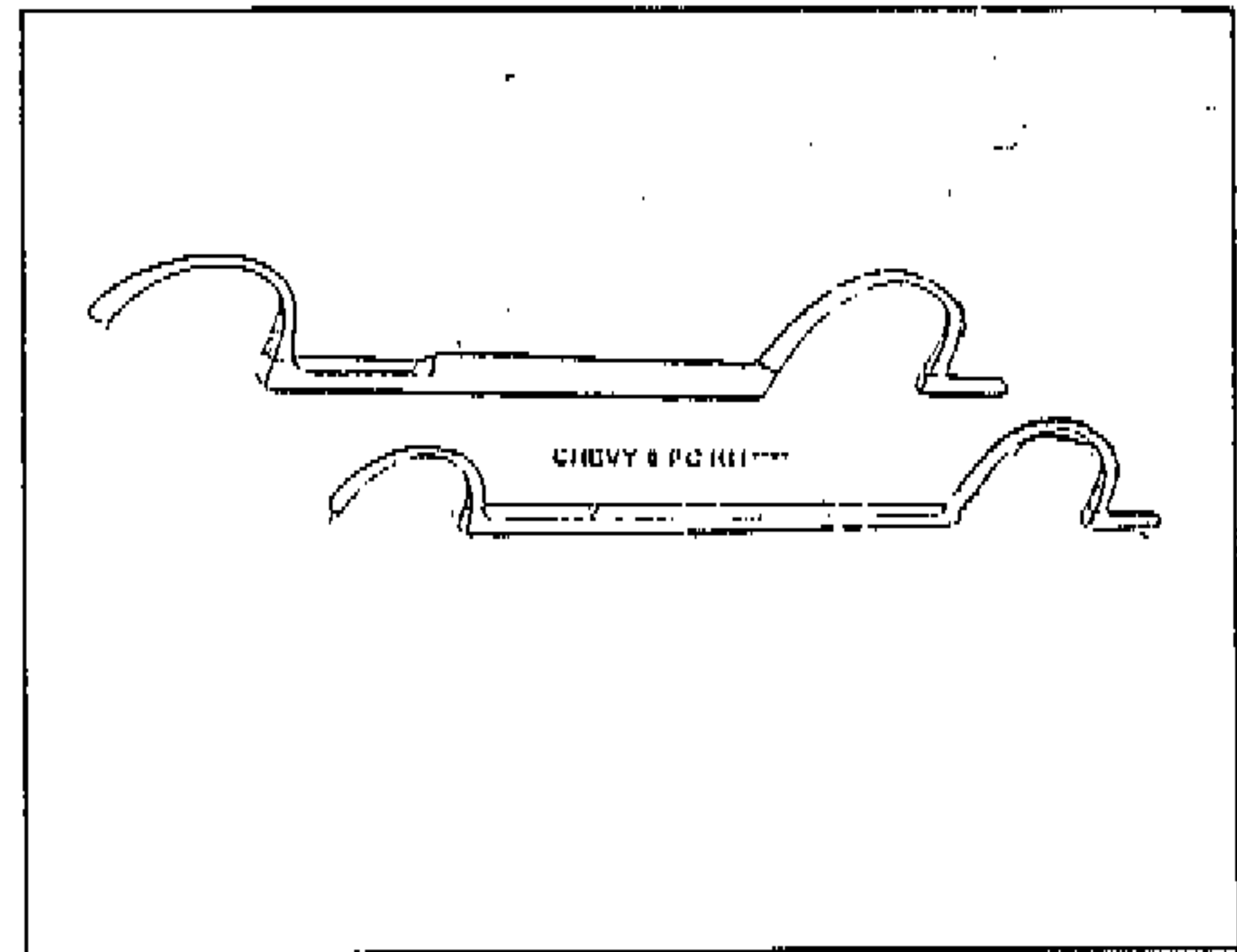
'97 CHEVY PONY KIT



# EAST COAST AUTO TOYS

Chevrolet G-Van/Eight Piece/Pony/ and Pony W/Panels

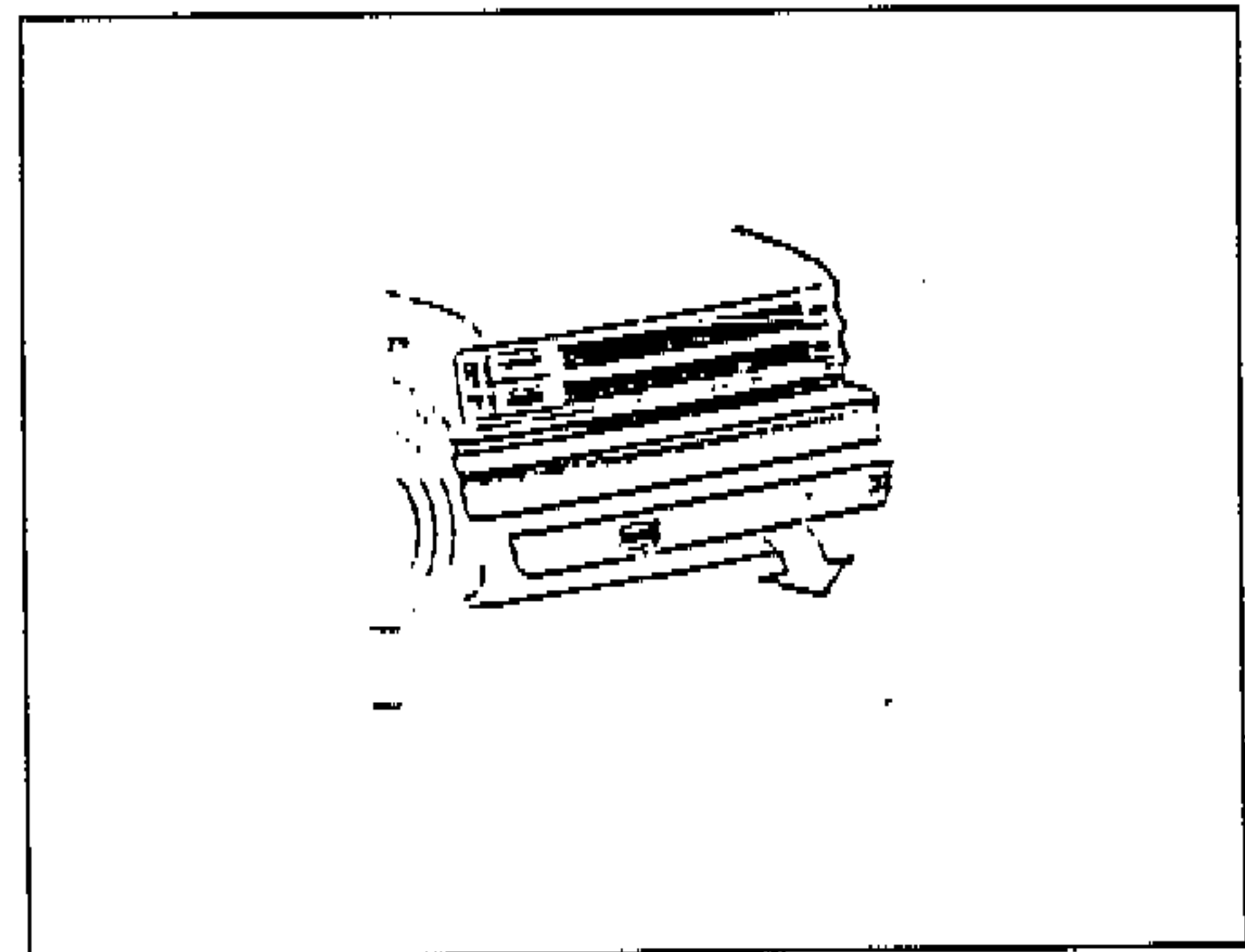
'97 CHEVY  
EIGHT PIECE (8), KIT



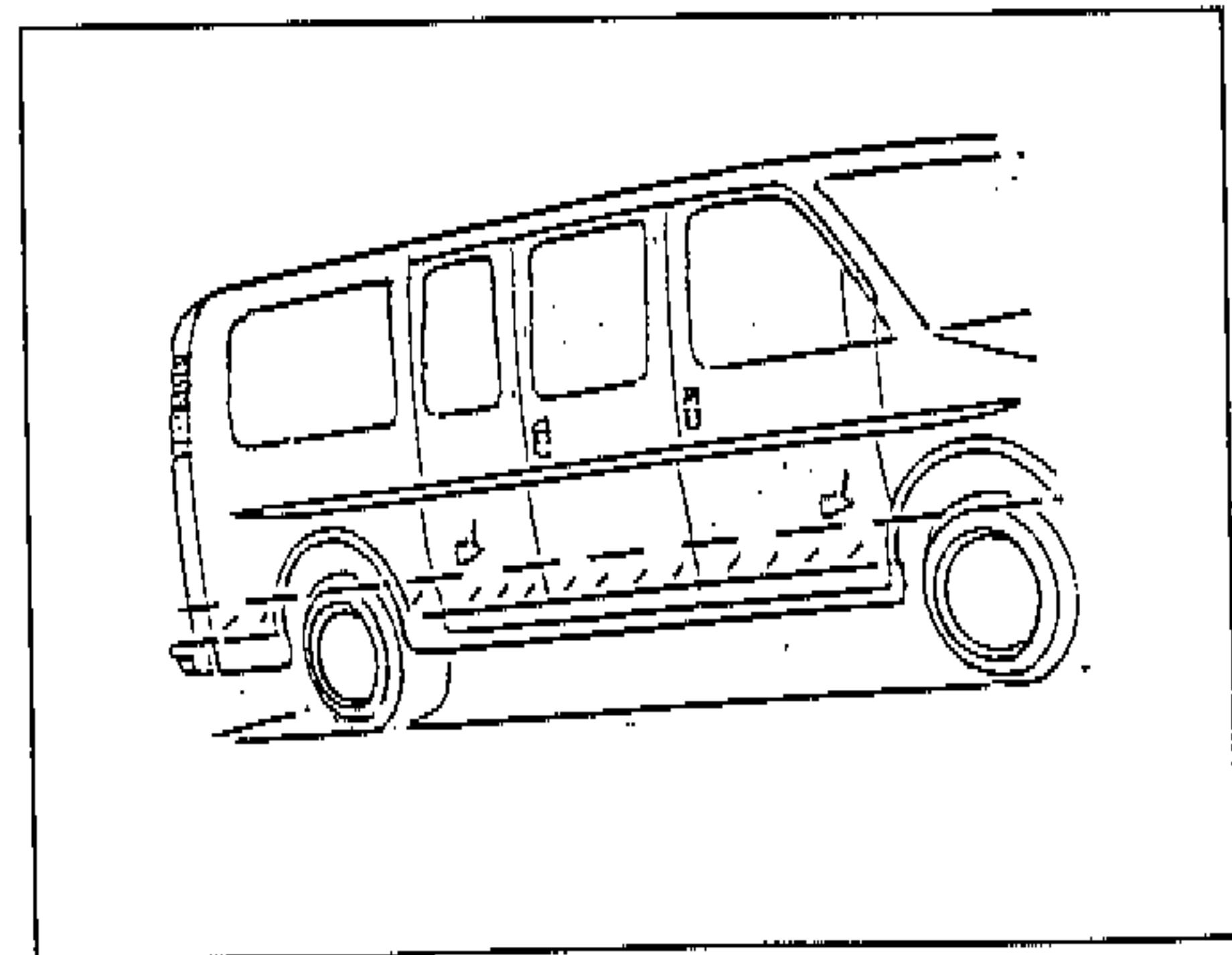
**STEP 2: 97 CHEVY G.E. KIT ONLY**

REMOVE UNDER BUMPER SPOILER.

**NOTE: CHECK FIT OF GROUND  
EFFECTS KIT. MAKE ADJUSTMENTS  
AS NEEDED FOR CORRECT FIT.**



**STEP 3:**  
CLEAN THE LOWER ONE THIRD OF  
VEHICLE WITH ALCOHOL/WATER MIX  
(50/50). APPLY RUST PROOFING  
ALONG THE BODY OF VEHICLE  
WHERE SCREWS WILL BE PLACED.

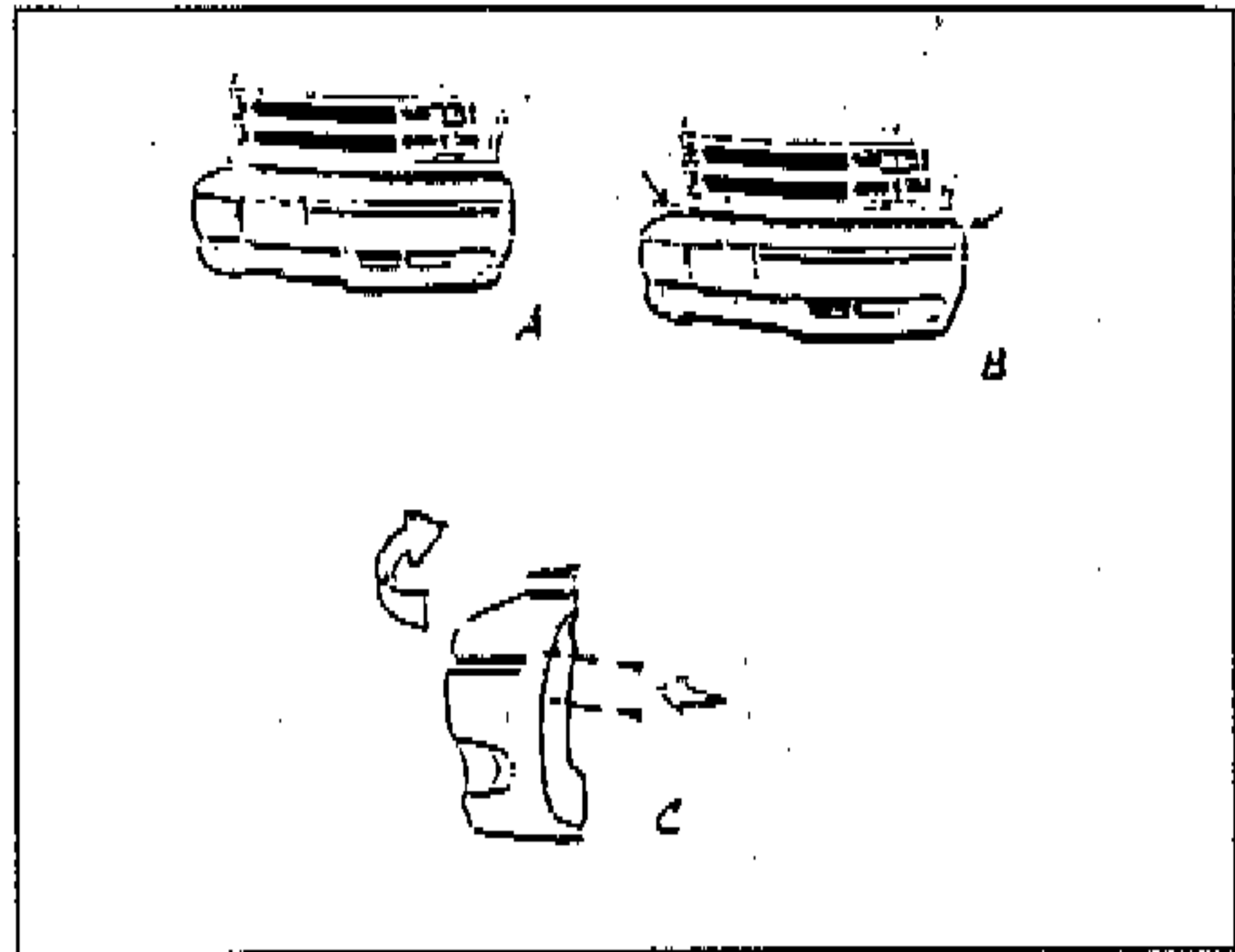


# EAST COAST AUTO TOYS

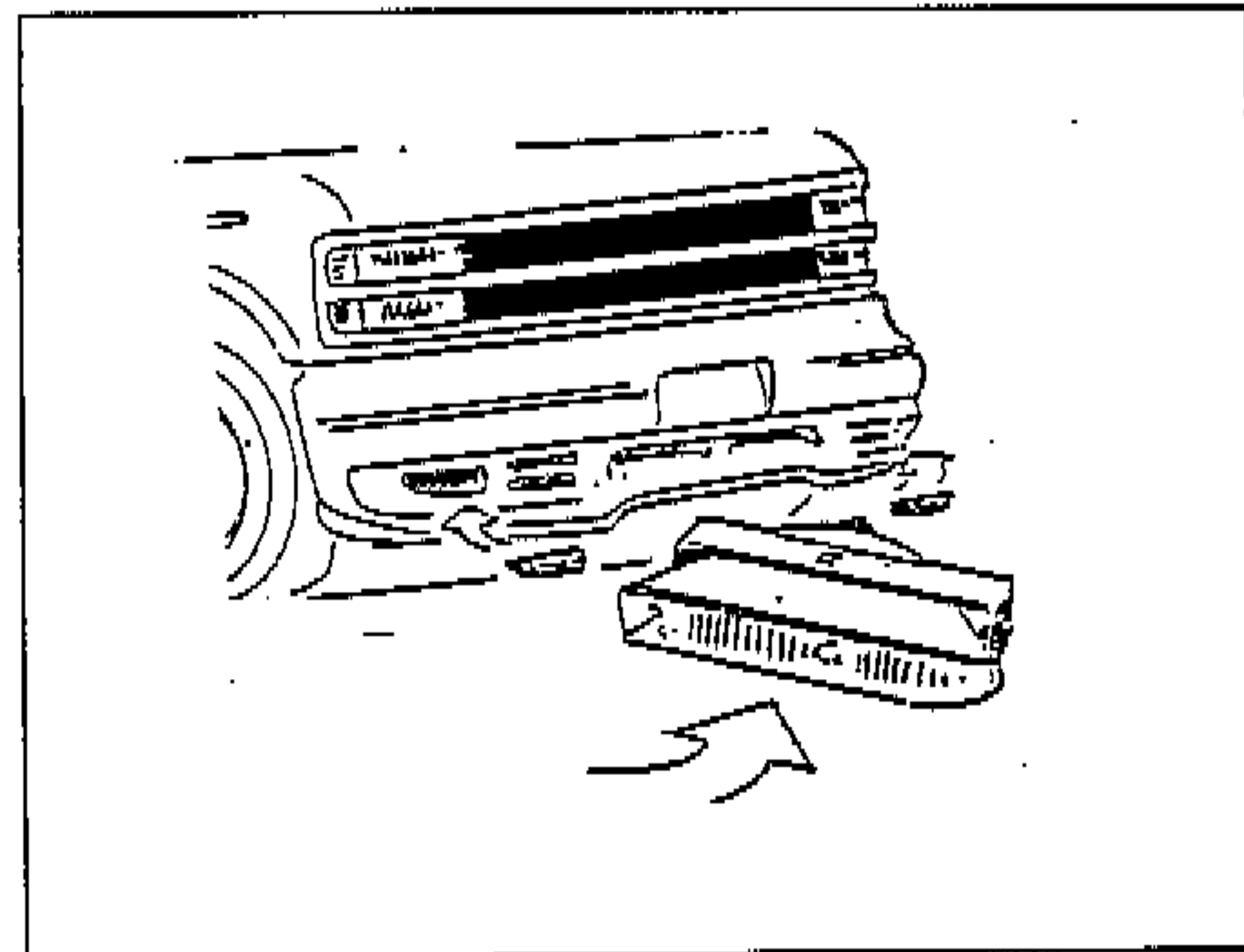
Chevrolet G-Van/Eight Piece/Pony/ and Pony W/Panels

## STEP 4: NOTE: ONLY COMES WITH '97 CHEVY G.E. KIT

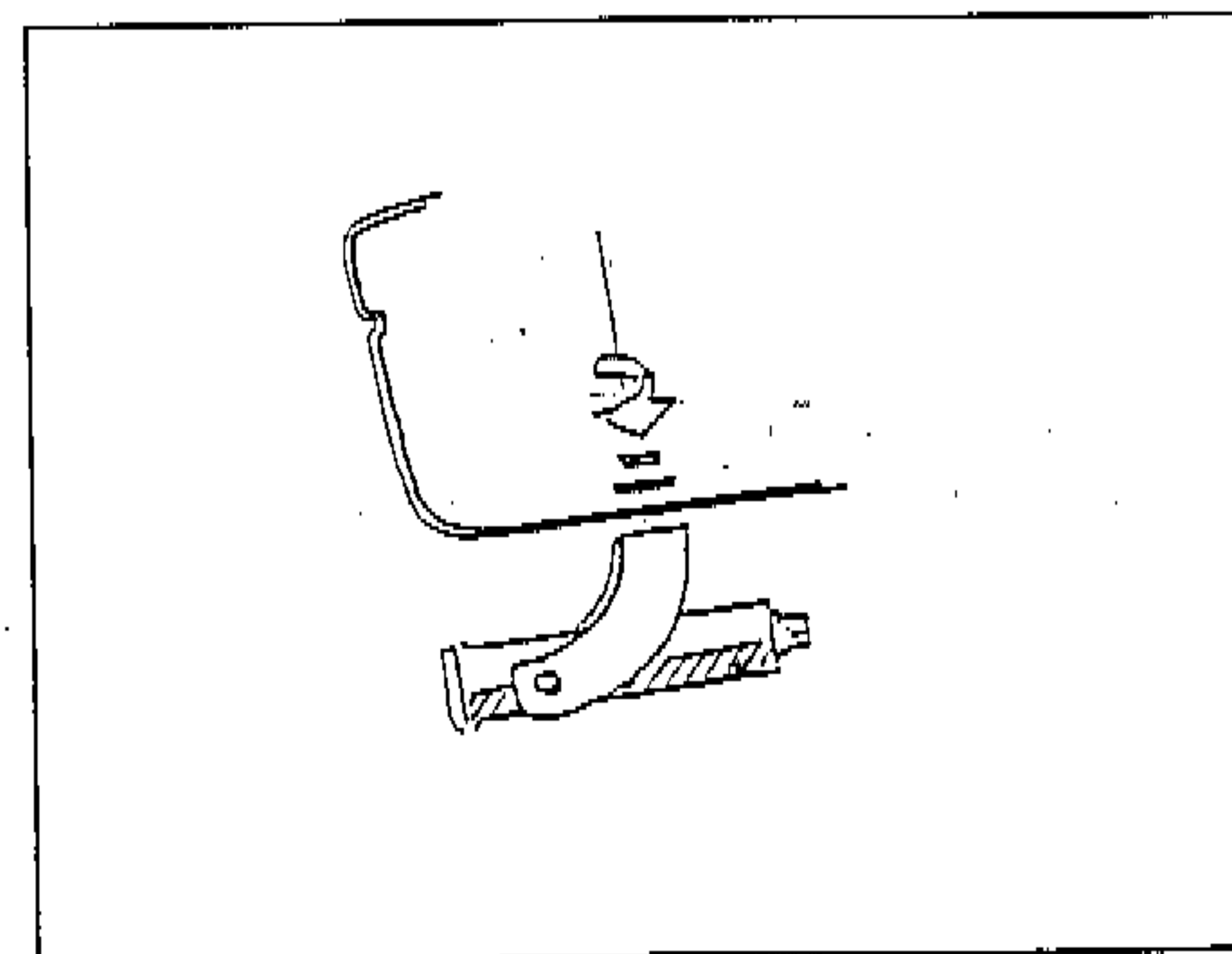
- A) ALIGN FRONT BUMPER COVER OVER OE FRONT BUMPER.
- B) HOOK ONE SIDE OF BUMPER COVER AROUND EDGE OF OE BUMPER. THEN CAREFULLY HOOK THE OTHER SIDE.
- C) FASTEN BUMPER COVER TO OE BUMPER WITH #8X1 SELF-TAPPING SCREWS (SUPPLIED WITH KIT), AS SHOWN.



STEP 5:  
ASSEMBLE FOG LIGHTS WITH BOLT PACKAGE SUPPLIED. POSITION FOG LIGHT BEHIND BUMPER COVER. THESE LIGHTS ARE CENTERED WITH THE OE BOLT HOLES IN THE STEEL BUMPER.



STEP 6:  
INSTALL FOG LIGHT WITH BOLT, LOCK WASHER AND NUT AS SHOWN.



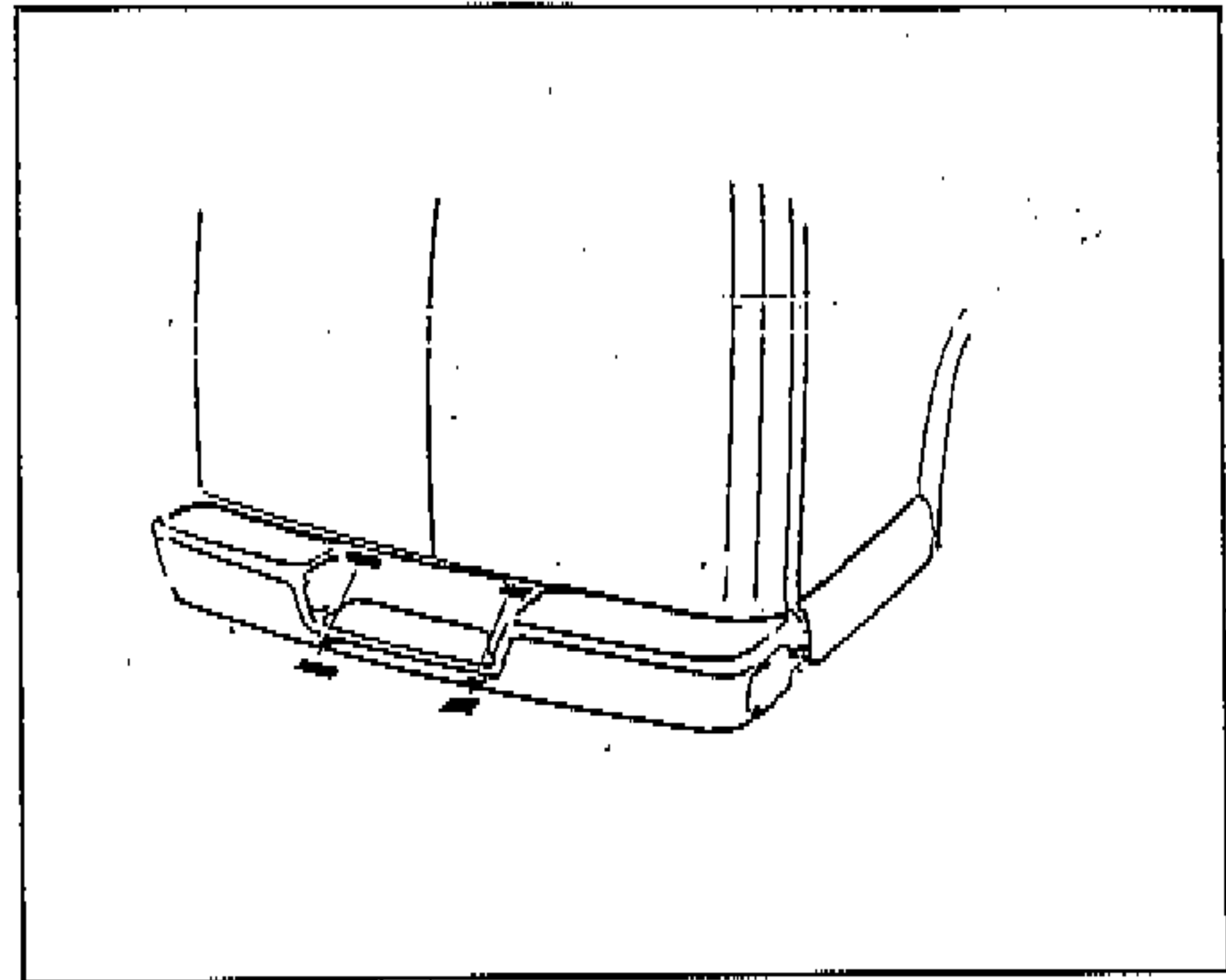
# EAST COAST AUTO TOYS

Chevrolet G-Van/Eight Piece/Pony/ and Pony W/Panels

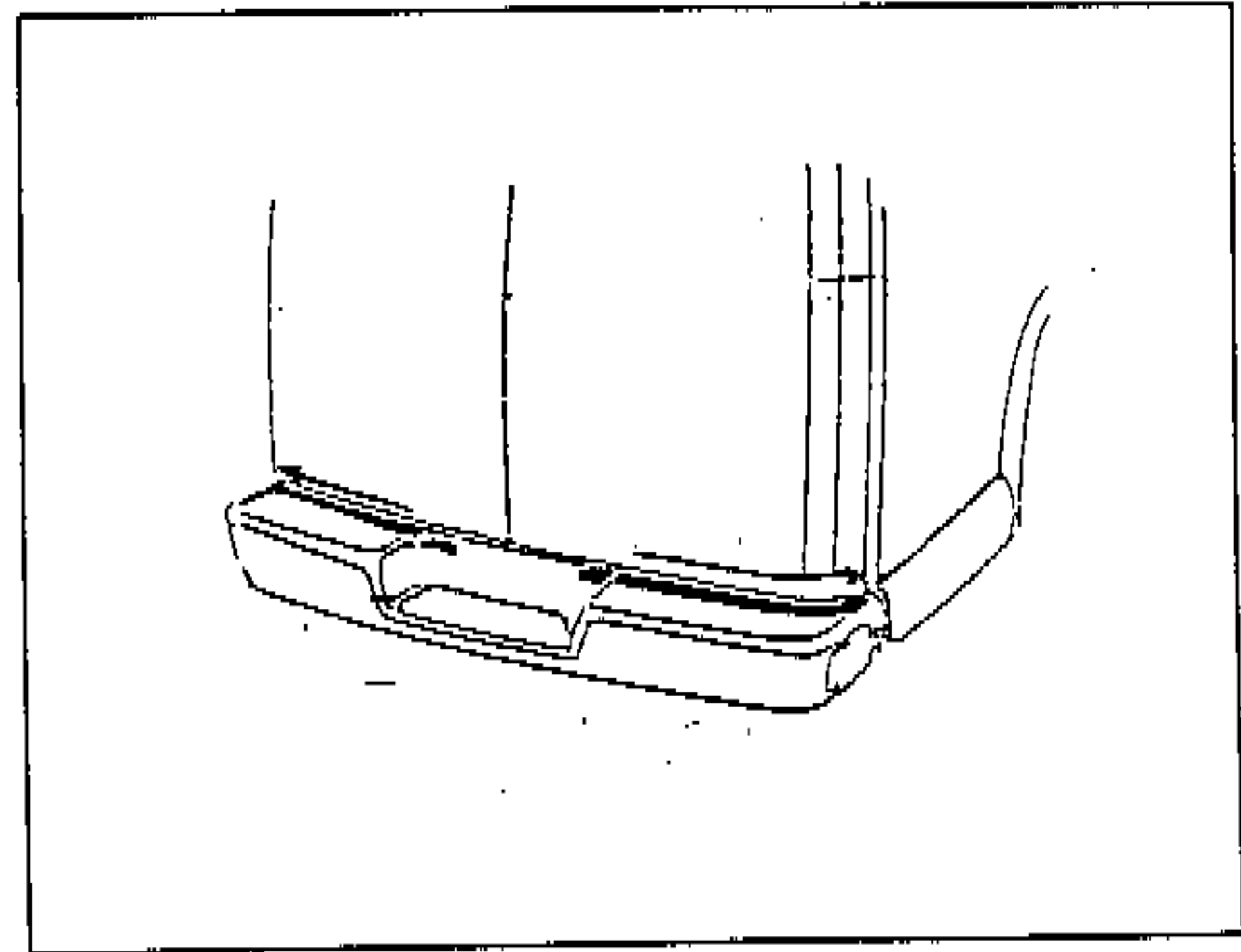
## STEP 7: ONE PIECE REAR BUMPER W/QUARTERS

**NOTE: ONLY COMES WITH '97 CHEVY  
G.E. KIT.**

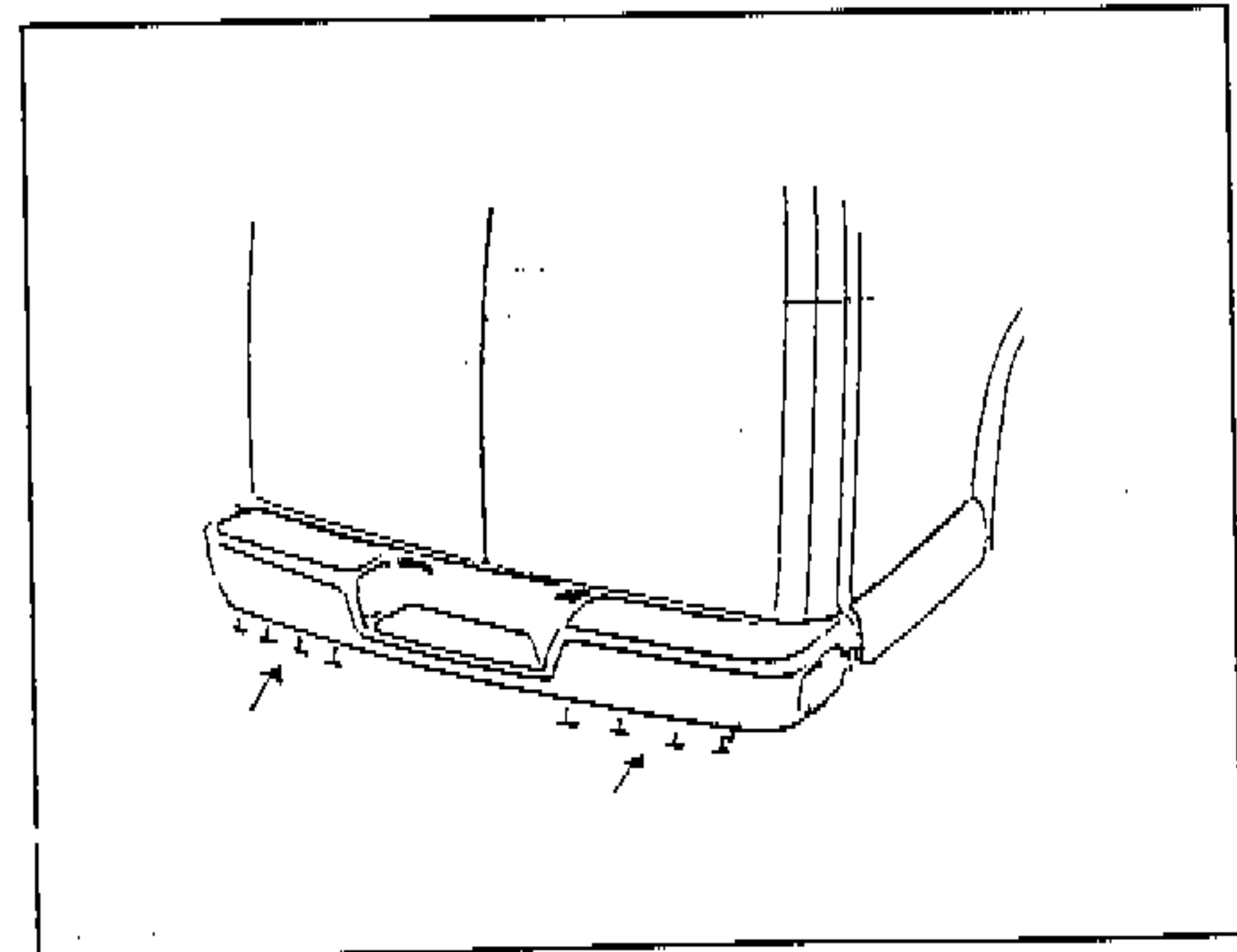
REMOVE TWO (2) REFLECTORS FROM  
STEP AREA OF BUMPER. SAVE THESE  
FOR RE-INSTALLATION.



STEP 8:  
TRIM TOP EDGE OF RUBBER ON OE  
BUMPER FROM CENTER TO HINGE AT  
CORNER.



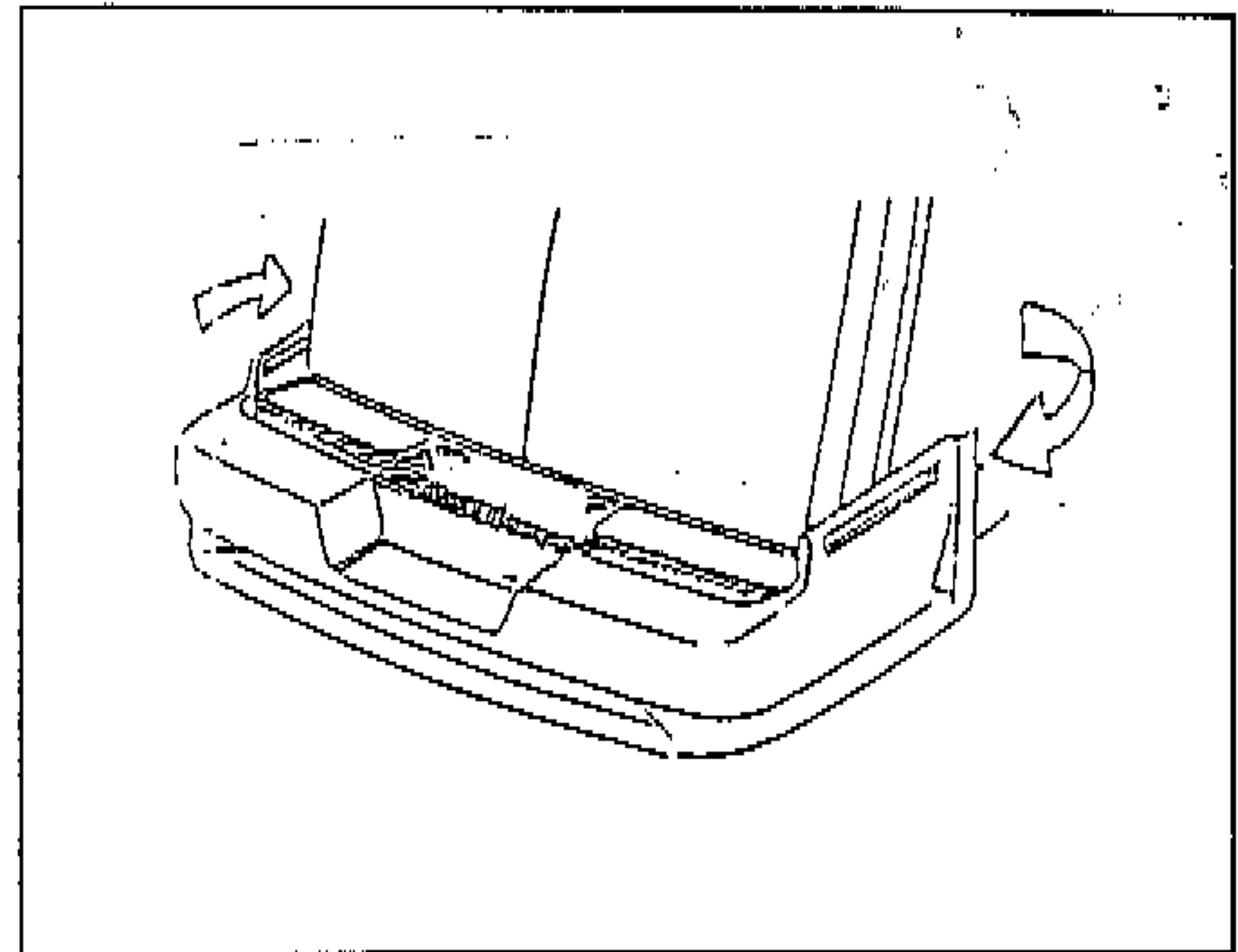
STEP 9:  
UNDERMEATH BUMPER, LOOSEN  
FOUR (4) OE BOLTS ON EACH SIDE.  
NOW LOWER OE BUMPER AS MUCH  
AS POSSIBLE. RE-TIGHTEN BOLTS.



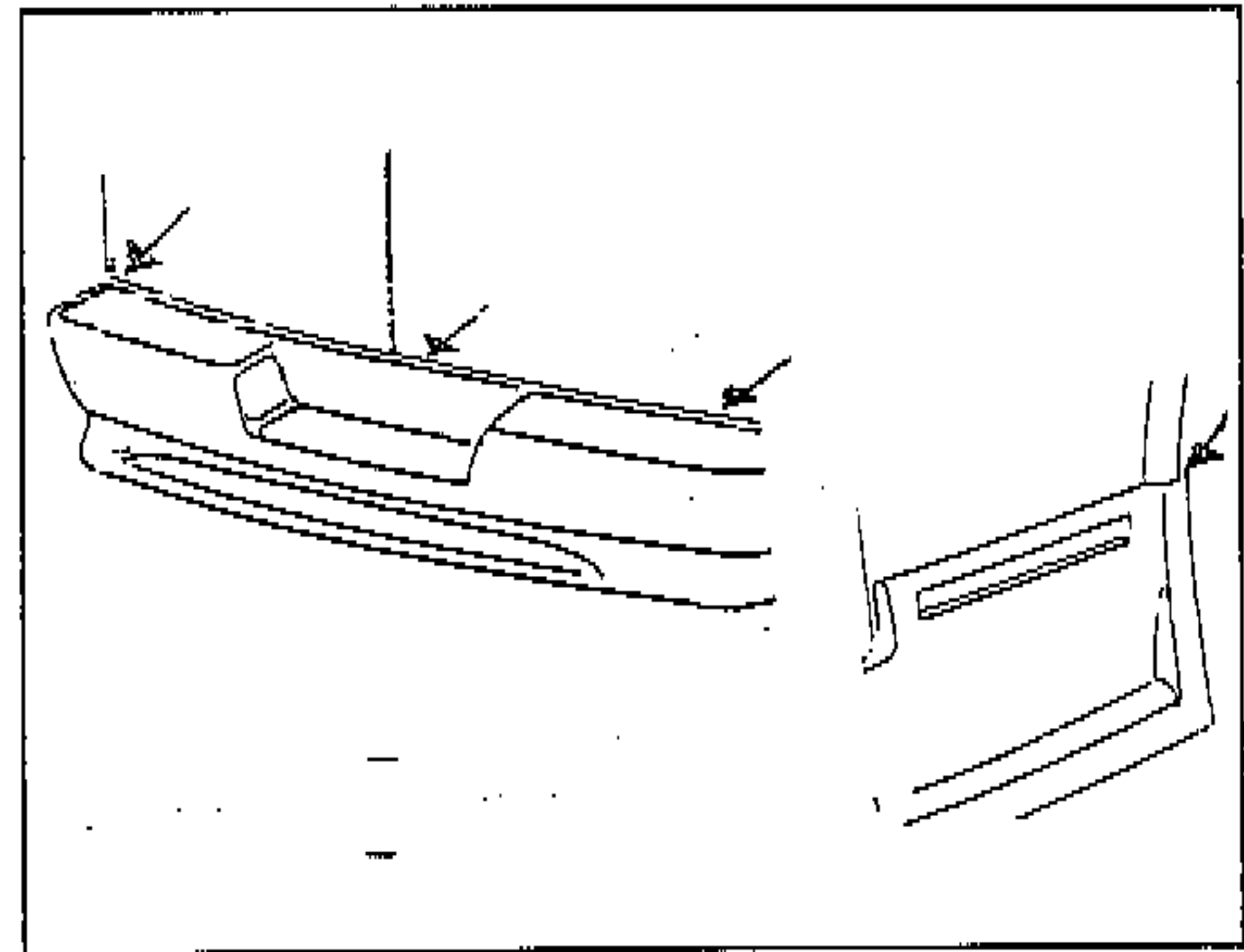
# EAST COAST AUTO TOYS

Chevrolet G-Van/Eight Piece/Pony/ and Pony W/Panels

**STEP 10:**  
REINSTALL REFLECTORS IN STEP  
AREA OF ABS BUMPER.

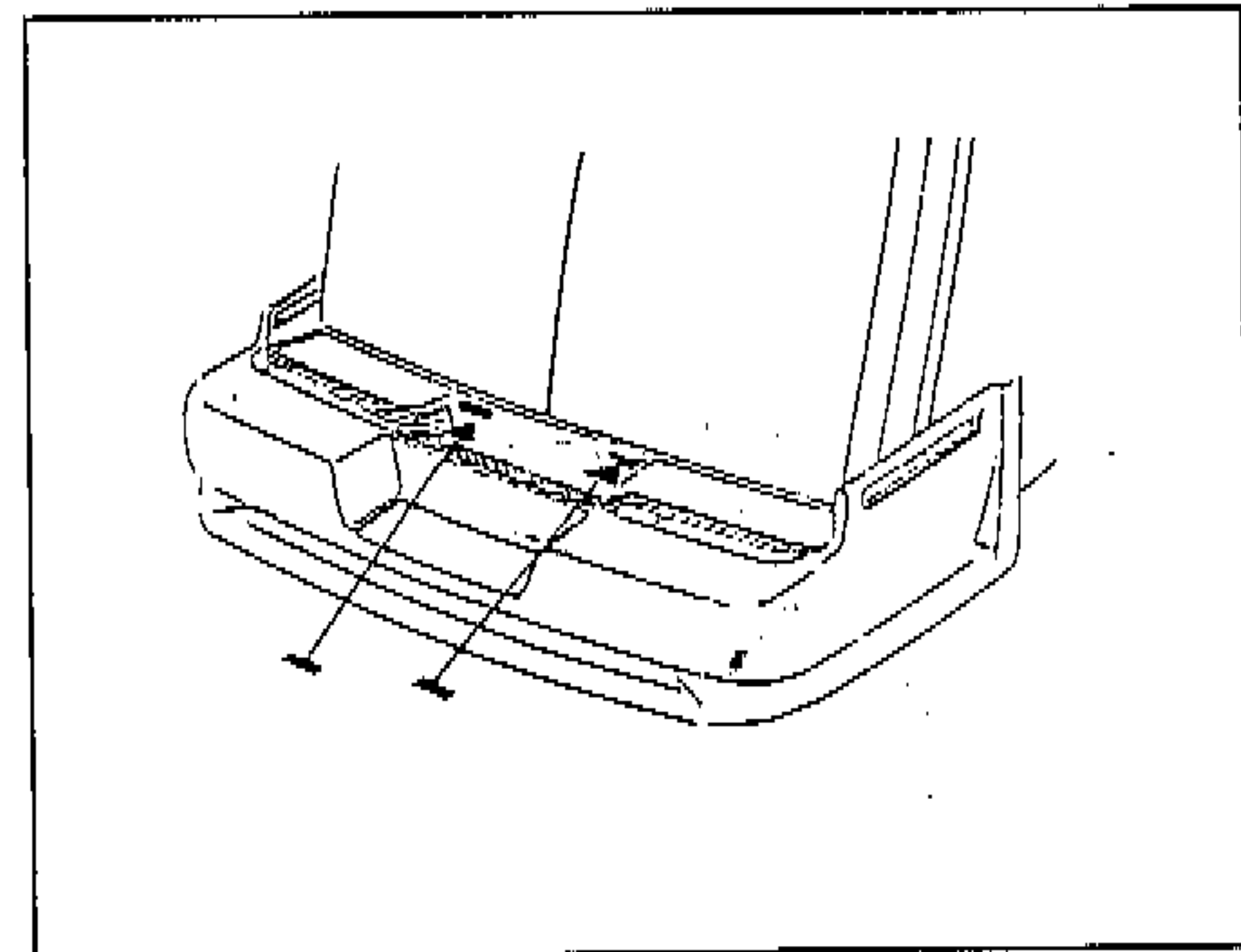


**STEP 11:**  
POSITION REAR BUMPER COVER  
OVER OE BUMPER BY HOOKING ONE  
SIDE OF REAR QUARTER INTO WHEEL  
WELL OPENING. THEN CAREFULLY  
SNAP OTHER SIDE INTO WHEEL WELL  
OPENING.



**STEP 12:**  
CHECK FIT. MAKE ADJUSTMENTS IF  
NEEDED.

**NOTE: YOU MAY NEED TO FILE EDGE  
OF QUARTER AREA TO MATERIAL  
THICKNESS WHERE QUARTER CAP  
FITS INTO WHEEL WELL.**

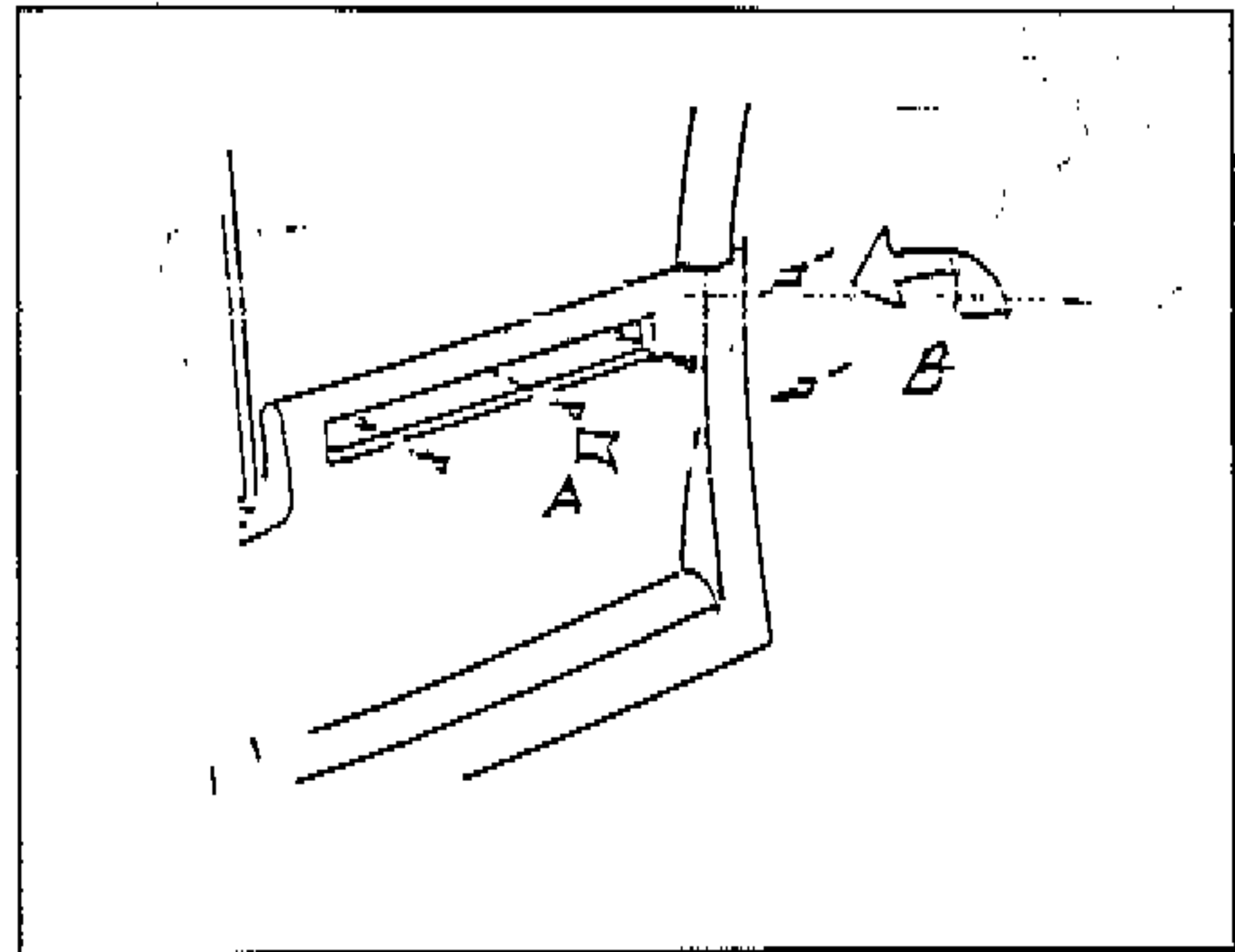


# EAST COAST AUTO TOYS

Chevrolet G-Van/Eight Piece/Pony/ and Pony W/Panels

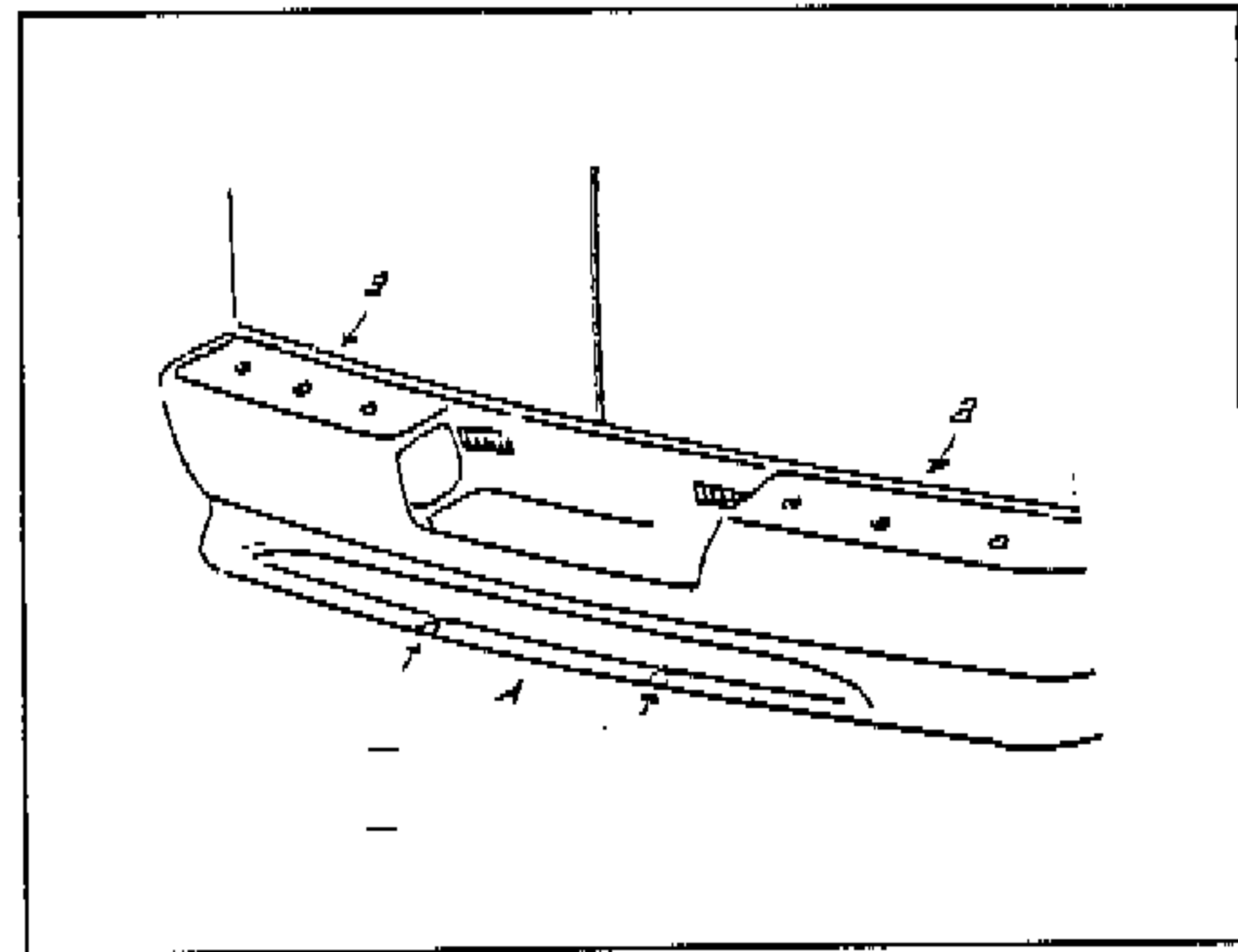
## STEP 13:

- A) FASTEN REAR QUARTER TO VEHICLE WITH #8X1/2" SCREWS (THREE (3), PER SIDE) IN PRE-DRILLED HOLES IN SCREW TRACK.
- B) FASTEN WHEEL WELL AREA WITH TWO (2) #8 X 1" SCREWS.
- C) REPEAT FOR OPPOSITE SIDE.



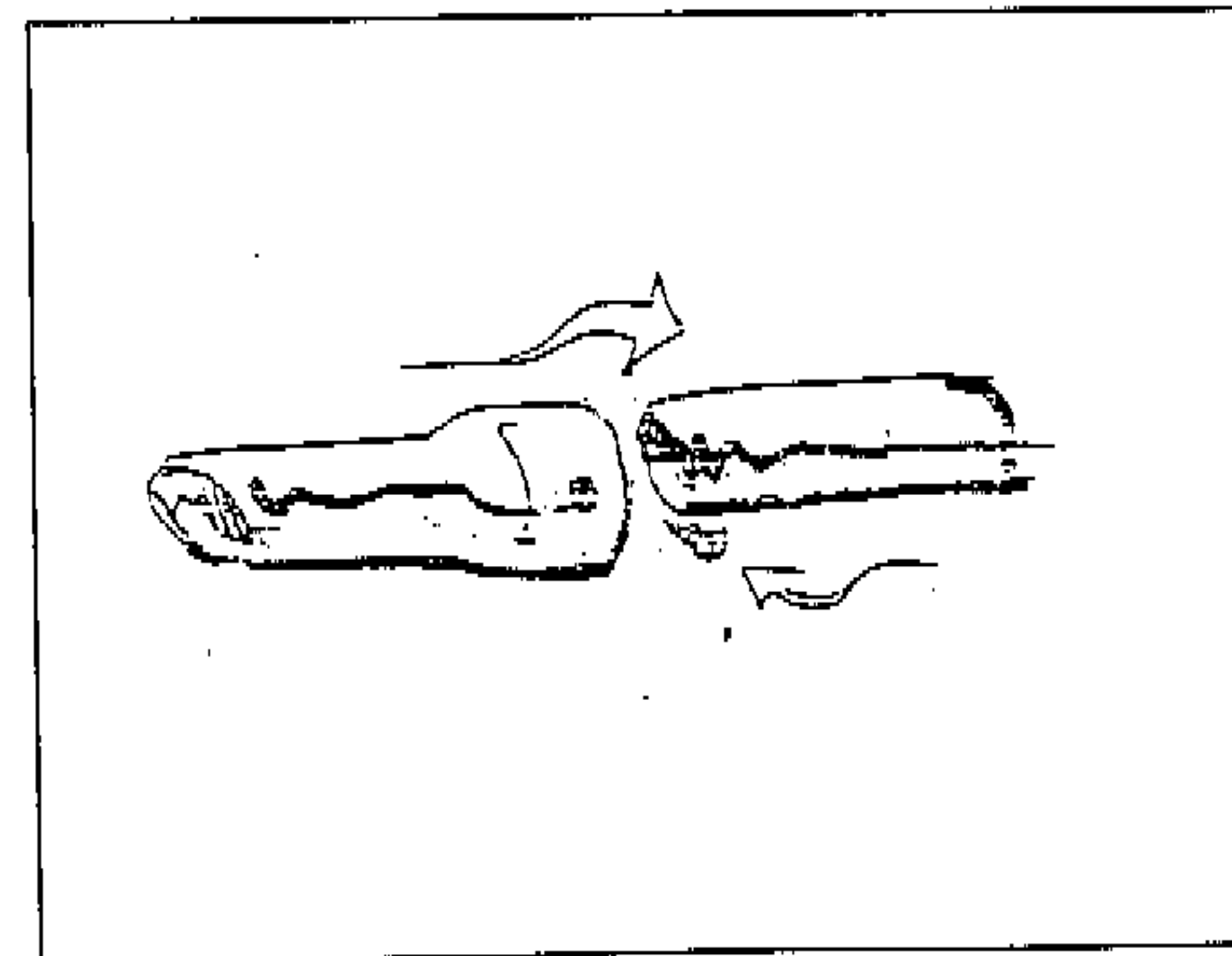
## STEP 14:

- A) INSTALL TWO (2) 10 X 3/4" SCREWS UNDERNEATH BUMPER IN LOCATORS.
- B) INSTALL SIX (6) 1/8" POP RIVETS IN STEP AREA.



## STEP 15:

INSTALL THE TAIL PIPE EXTENSION. IT SHOULD CLEAR THE GROUND EFFECTS BY APPROXIMATELY 3"-4". IF NOT, BEND TAILPIPE DOWNWARD.



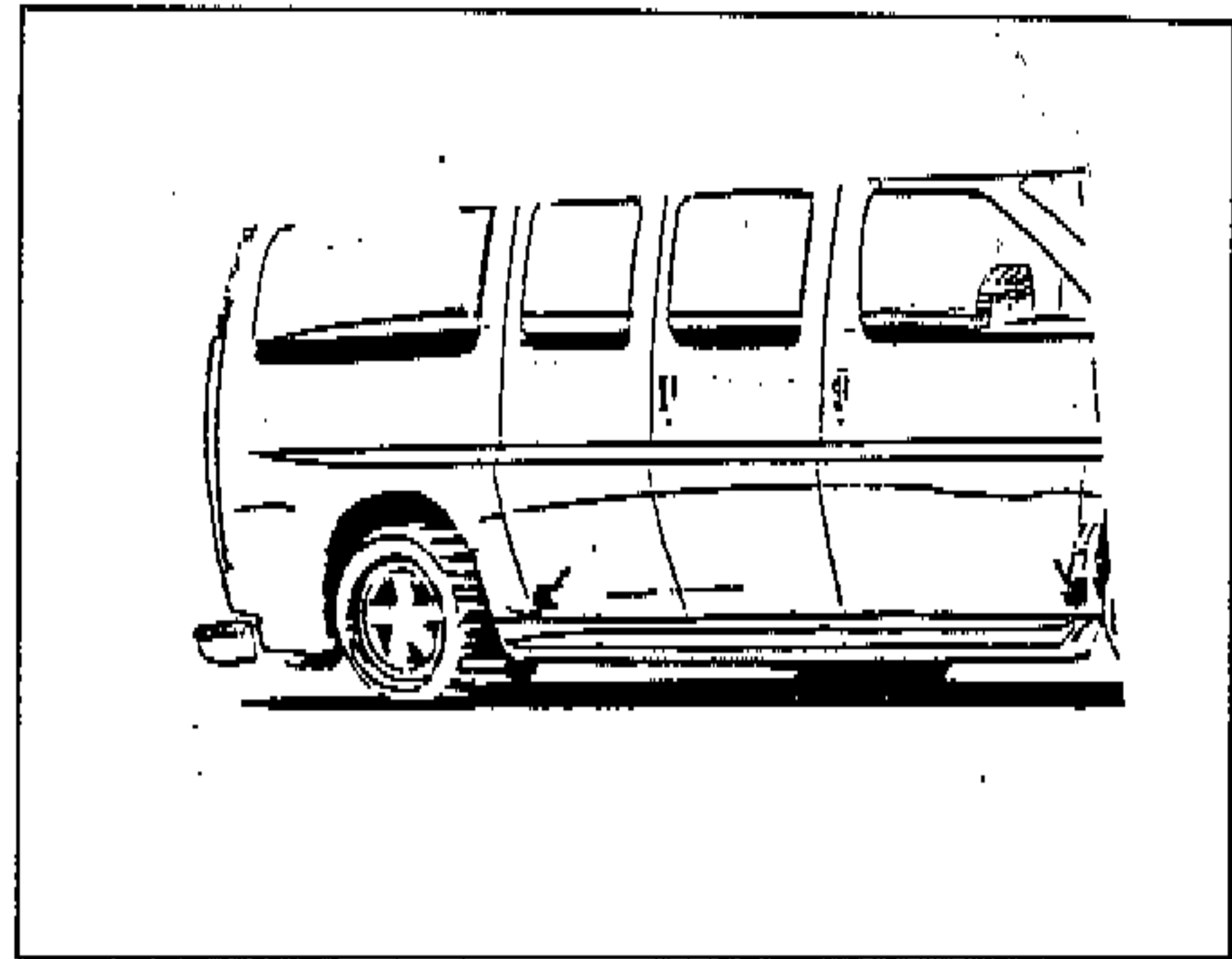
# EAST COAST AUTO TOYS

Chevrolet G-Van/Eight Piece/Pony/ and Pony W/Panels

## STEP 16: RUNNING BOARDS

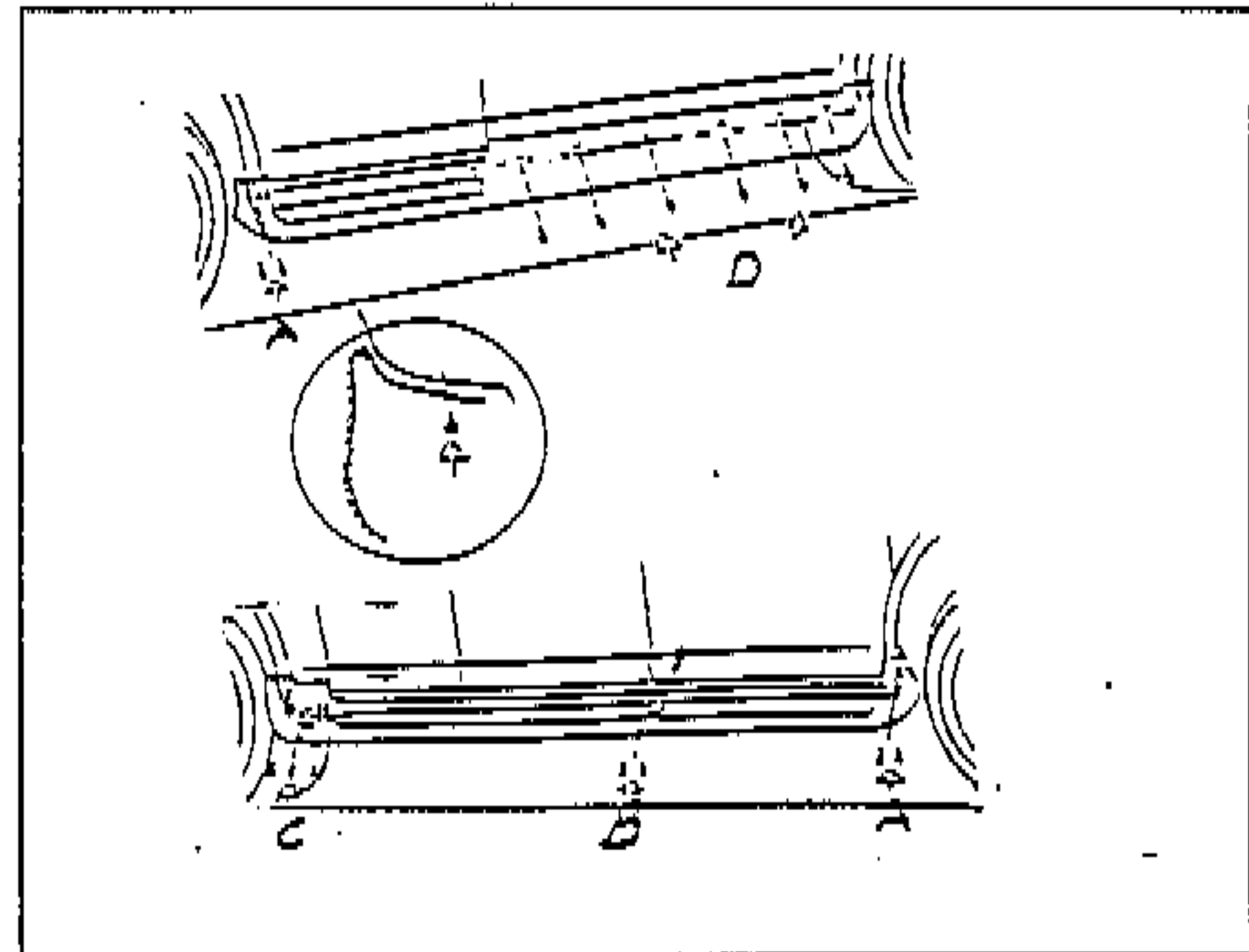
**NOTE: COMES WITH ALL KITS.**

POSITION RUNNING BOARD ONTO VEHICLE. CHECK FIT. MAKE ADJUSTMENTS IF NECESSARY.



STEP 17:  
ALIGN RUNNING BOARD. CLAMP TO HOLD INTO PLACE, IF NEEDED.  
FASTEN RUNNING BOARD TO ROCKER PANEL WITH #10 X 3/4" SCREWS.  
A) USE TWO (2) IN FRONT CAP.  
B) USE TWO (2) IN CENTER STEP SUPPORT CAP.  
C) USE THREE (3) IN PASS. REAR BODY AREA

THE DRIVER SIDE USES SIX (6).

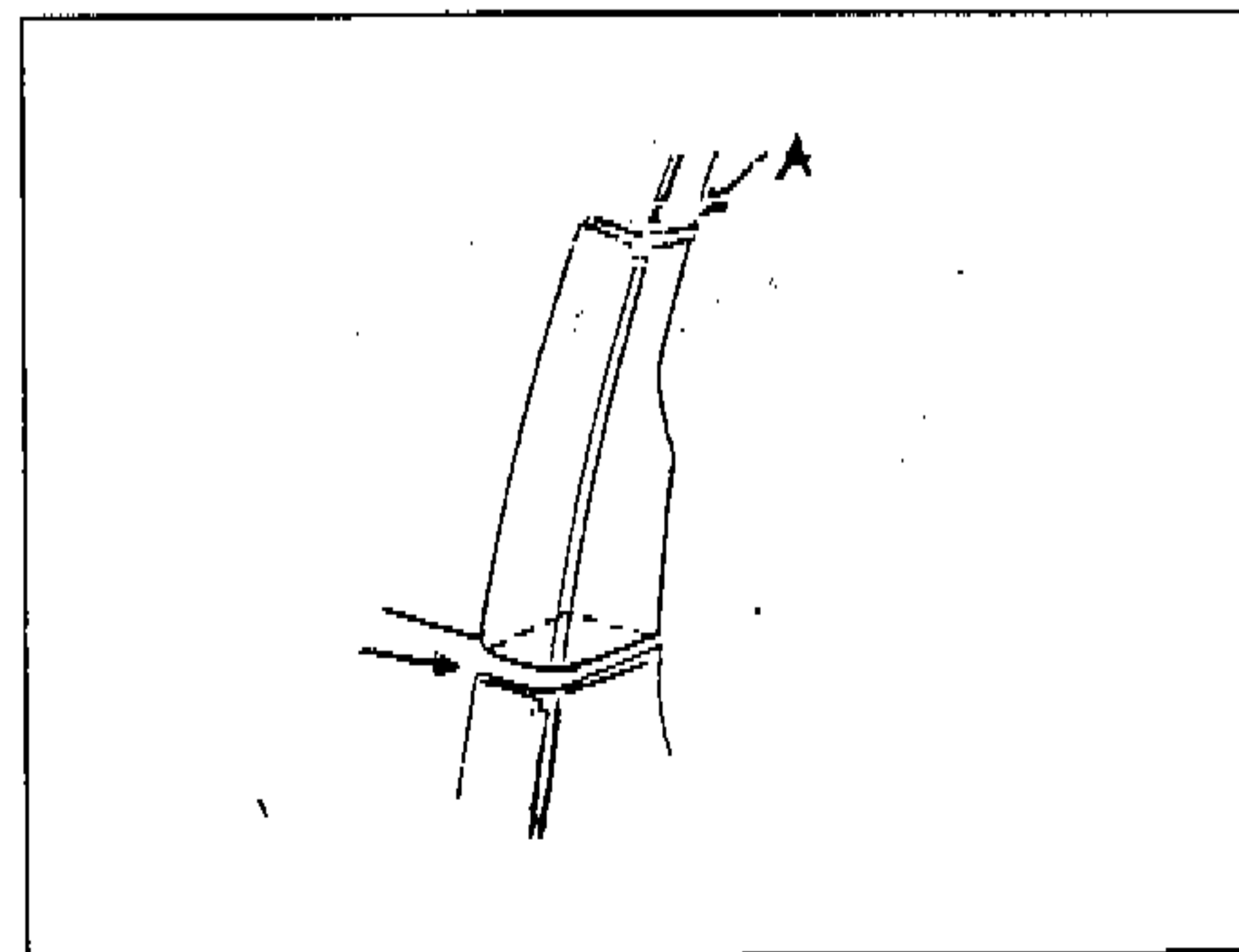


## STEP 18: CAPS

**NOTE: '97 CHEVY GE FULL KIT & PONY WITH PANELS COMES WITH TWO (2) FRONT PASS. /DR. CAPS.**

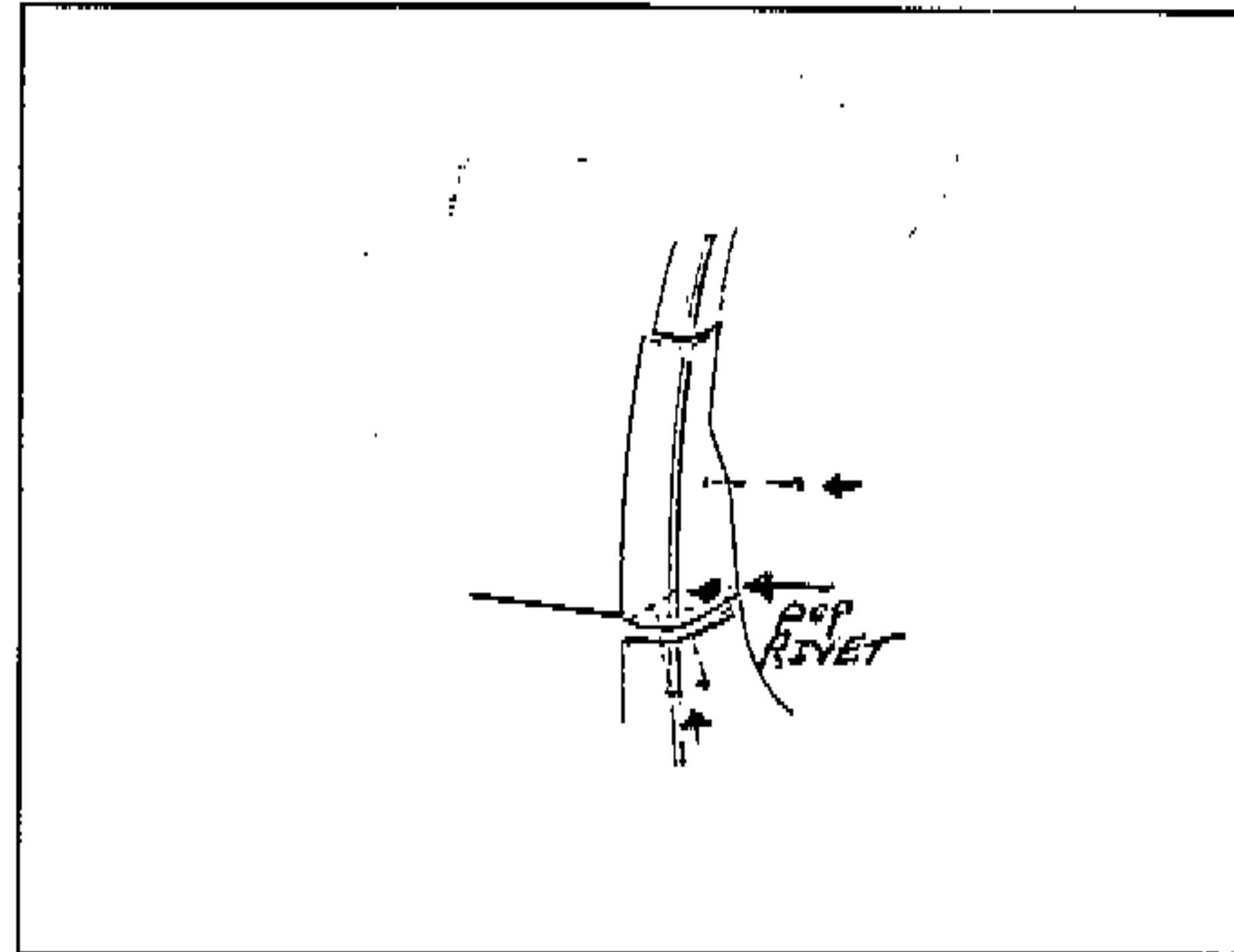
**'97 PONY COMES WITH FRONT AND REAR (DR./PASS.), CAPS.**

POSITION CAPS ON VEHICLE. CHECK FIT. MATERIAL MAY NEED TO BE REMOVED IN WHELL WELL AREA TO HELP CAP FIT. MAKE ADJUSTMENTS IF NECESSARY.



**STEP 19:**  
FASTEN CAP TO RUNNING BOARD  
FROM BELOW WITH TWO (2) #8 X 1"  
SCREWS.

FASTEN IN WHEEL WELL AREA WITH  
ONE (1) #8 X 1" SCREW AND ONE (1)  
1/8" POP RIVET AS SHOWN.

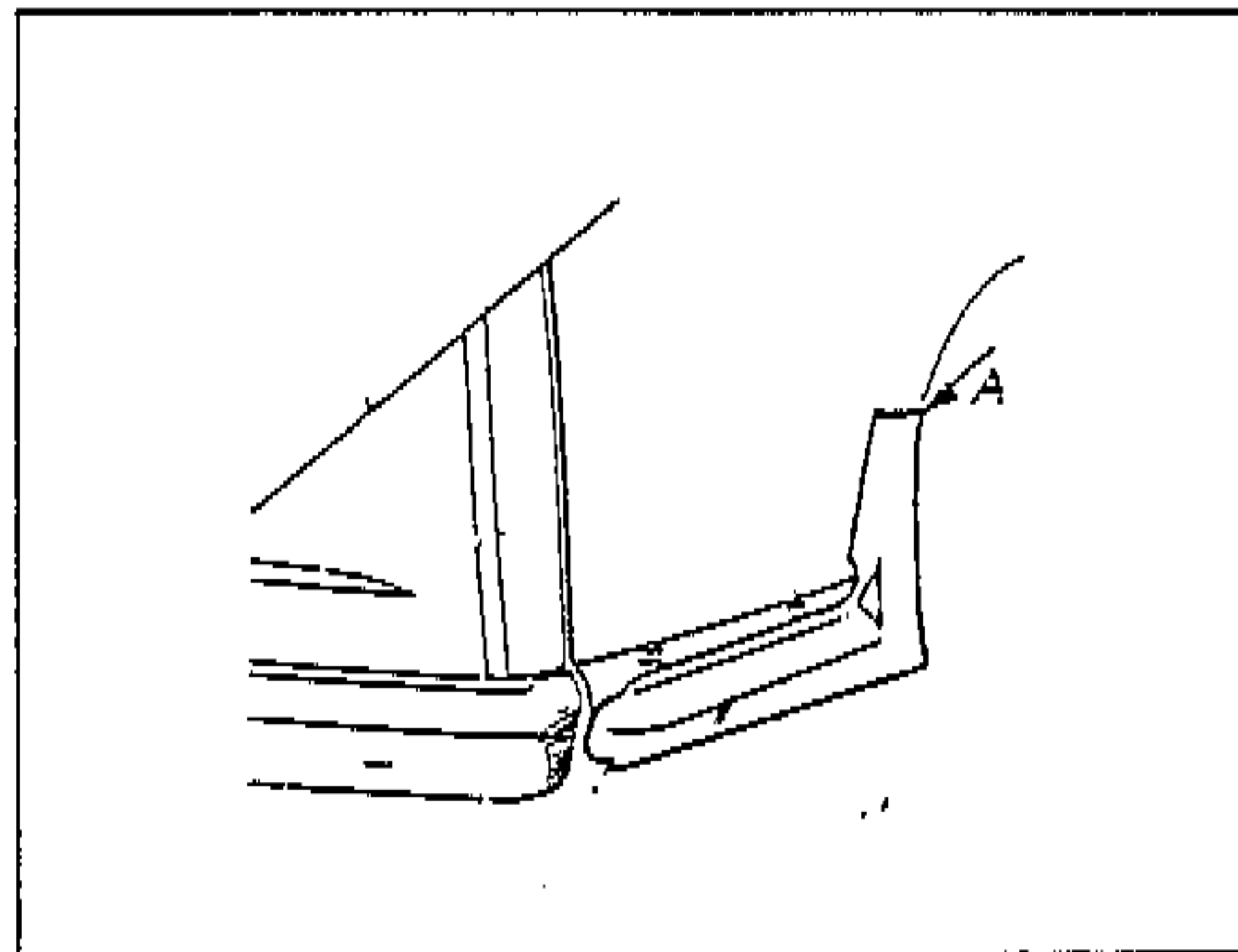


### STEP 20: REAR TAILS

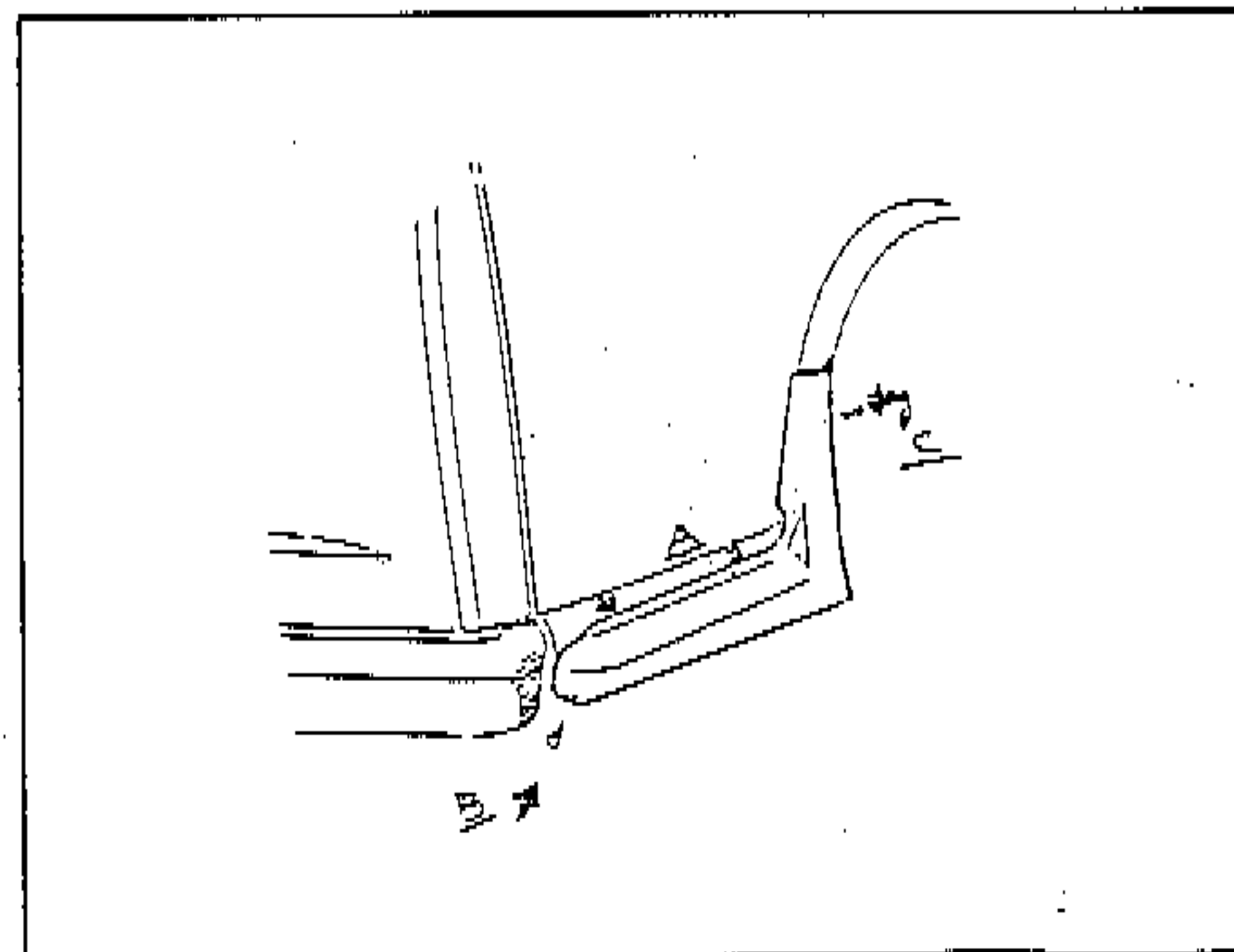
**NOTE: TAILS ONLY COME WITH '97  
PONY WITH PANELS/PONY KIT AND 8  
PC KIT.**

POSITION TAIL ONTO VEHICLE.  
CHECK FIT. MAKE ADJUSTMENTS IF  
NECESSARY.

**NOTE: MATERIAL MAY NEED TO BE  
REMOVED FROM WHEEL WELL AREA  
TO AID IN PART FIT.**



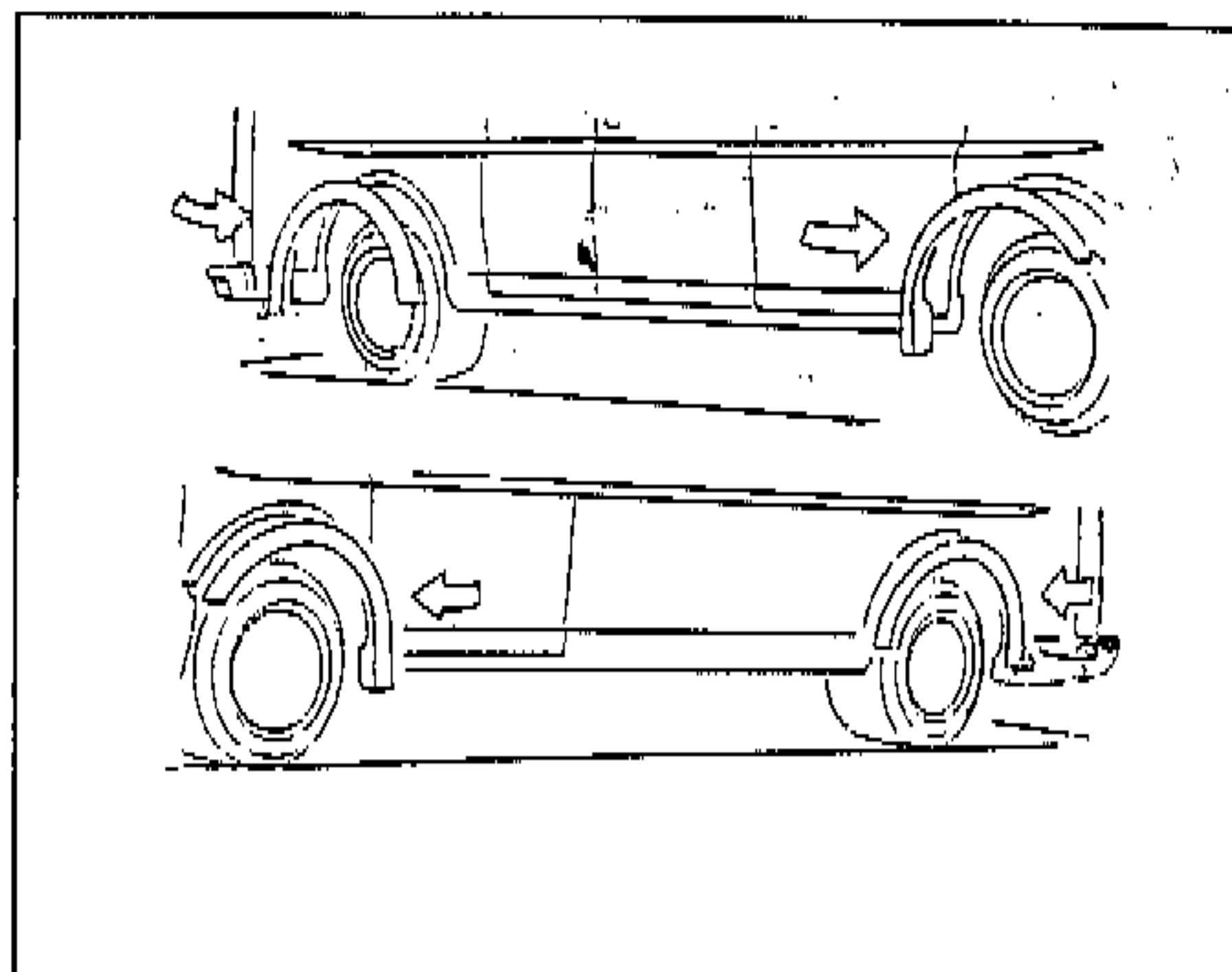
**STEP 21:**  
A) REMOVE PROTECTIVE STRIP FROM  
3M TAPE AND ALIGN ONTO  
VEHICLE.  
B) FASTEN TO ROCKER PANELS WITH  
ONE (1) #8 X 1" SCREW.  
C) FASTEN INTO WHEEL WELL AREA  
WITH ONE (1) #8 X 1" SCREW AS  
SHOWN.



**STEP 22: FLARES**

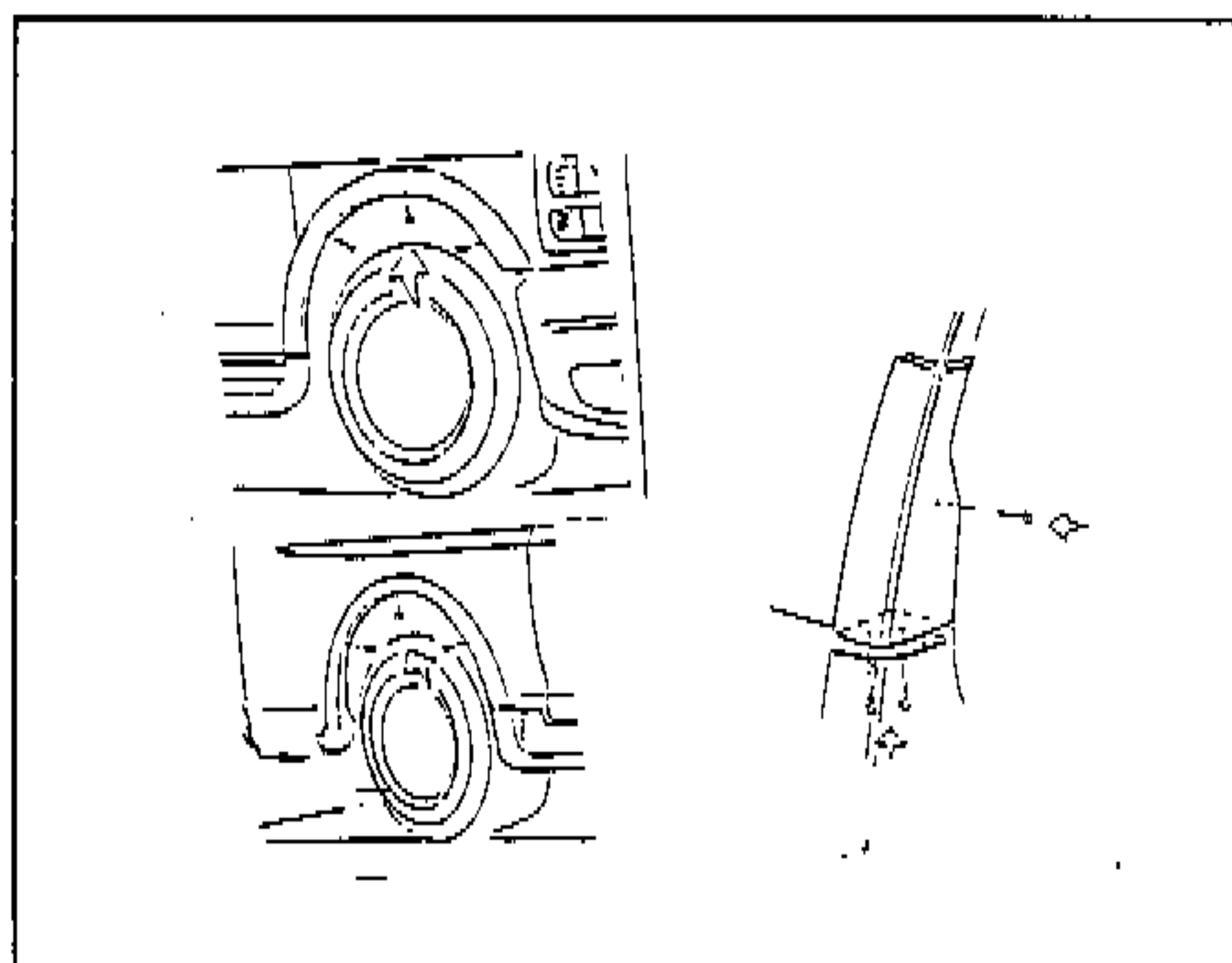
**NOTE: FLARES ONLY COME WITH '97  
8 PC. KIT.**

FIT CHECK FLARES. CAREFULLY MAKE NECESSARY ADJUSTMENTS FOR A PROPER FIT. CLAMP TO HOLD IF NEEDED.



**STEP 23:**

FASTEN "FRONT FLARES" TO RUNNING BOARD FROM BELOW WITH TWO (2) #8 X 1" SCREWS AND ONE (1) IN WHEEL WELL AREA AS SHOWN. FASTEN "REAR FLARES" TO RUNNING BOARD FROM BELOW WITH TWO (2) #8 X 1" SCREWS AND ONE (1) IN LOWER AREA OR FLARE IN WHEEL WELL. USE THREE (3) #8 X 1" SCREWS TO FASTEN IN WHEEL WELLS, AS SHOWN.



**STEP 24: DOOR PANELS**

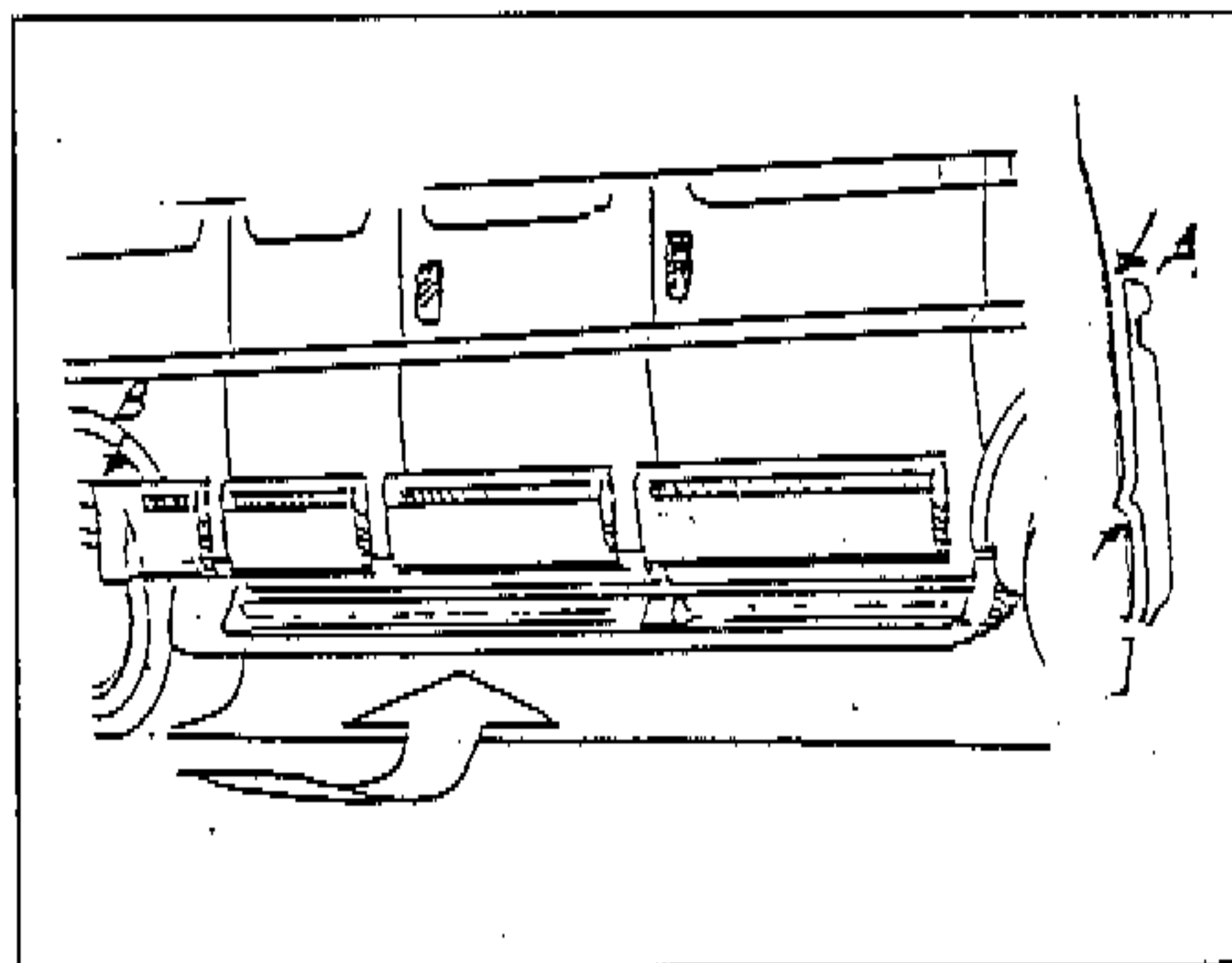
**NOTE: DOOR PANELS COME WITH '97 CHEVY G.E. FULL KIT & '97 CHEVY PONY WITH PANELS KIT.**

POSITION DOOR PANEL ONTO VEHICLE. CHECK FIT. MAKE ADJUSTMENTS IF NEEDED.

**NOTE: PANELS SHOULD ALIGN WITH CAPS AND RUNNING BOARDS.**

A) TOP EDGE SHOULD LAY FLUSH AGAINST BODY OF VEHICLE.

B) MATERIAL MAY NEED TO BE REMOVED FROM WHEEL WELL AREA TO AID PART FIT.

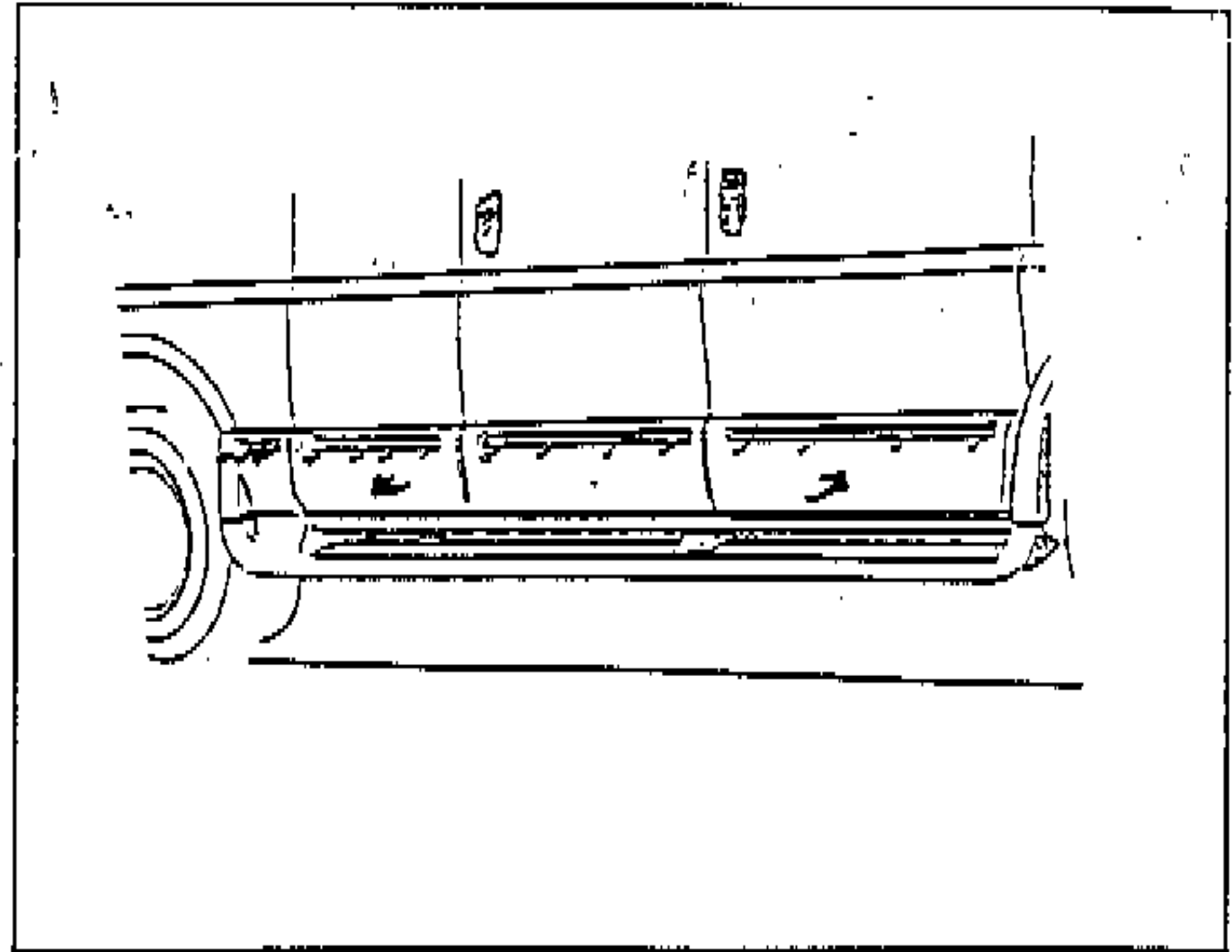


# EAST COAST AUTO TOYS

Chevrolet G-Van/Eight Piece/Pony/ and Pony W/Panels

## STEP 25:

FASTEN DOOR PANEL BY REMOVING PROTECTIVE STRIP FROM 3M TAPE. ALIGN DOOR PANEL AND APPLY PRESSURE TO TAPED AREA. INSTALL APPROXIMATELY FOUR (4) #8 X 1/2" SCREWS IN PRE-DRILLED HOLES LOCATED IN TRIM GUIDE TRACK OF DRIVER BODY (PASS. BODY PANEL USES APPROX. 2 TO 3 SCREWS).

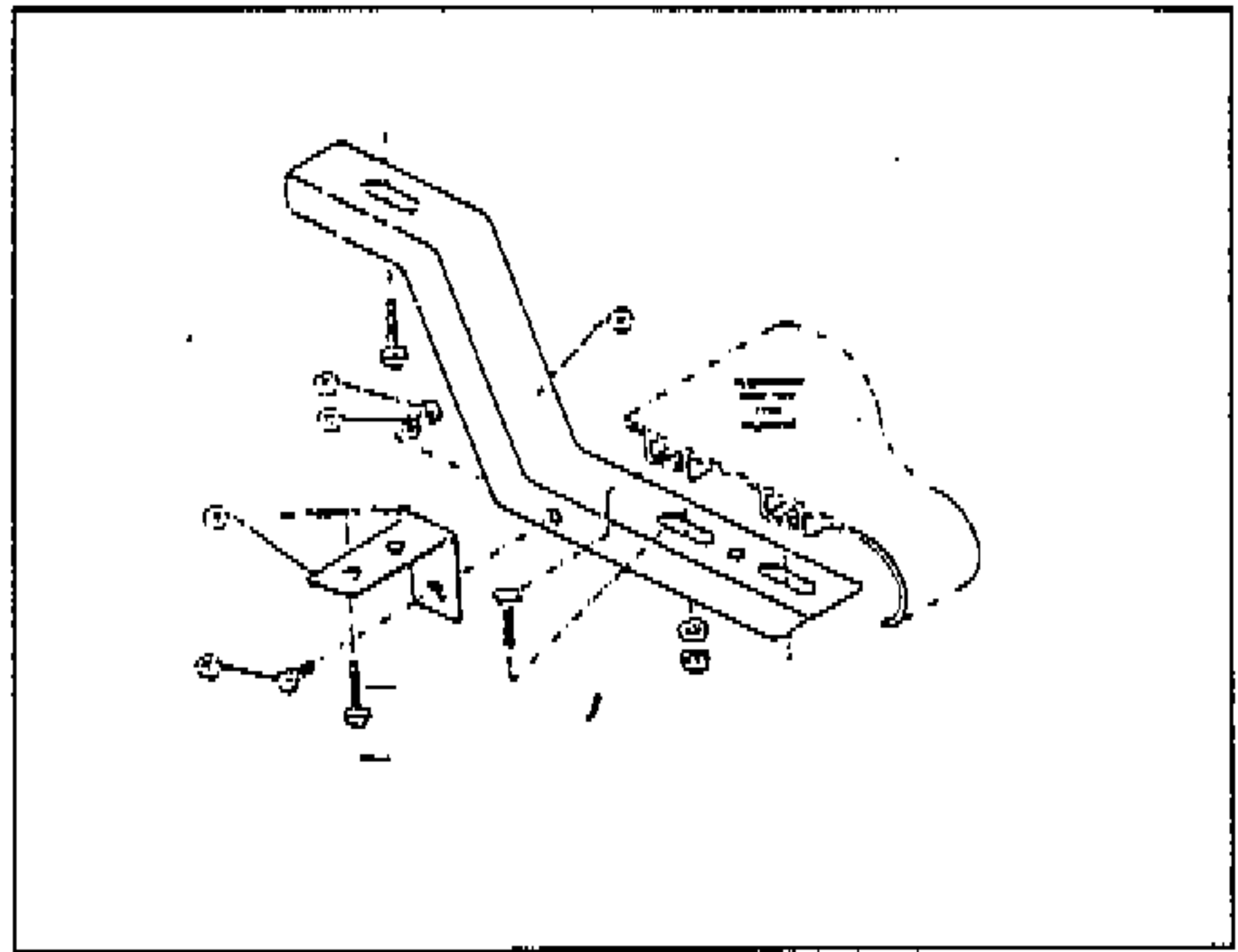


## STEP 26: RUNNING BOARD BRACKETS

LAY OUT BRACKET AND CHECK HARDWARE.

**NOTE: PASSENGER BRACKETS FOR 60/40 DOOR AREA ARE SHORTER THAN THOSE FOR THE FRONT DOOR STEP AREA.**

POSITION THE OTHER FOUR (4) BRACKETS EVENLY UNDER DRIVER AND PASSENGER DOORS.



## STEP 27: FINAL

CHECK THE FIT AND ALIGNMENT OF YOUR GROUND EFFECTS. CHECK FOR SURFACE BLEMISHES. SAND AND OR SCRATCH PAD BLEMISHES AS NEEDED. BLEND ALL SANDED AREAS WITH SCRATCH PAD.

